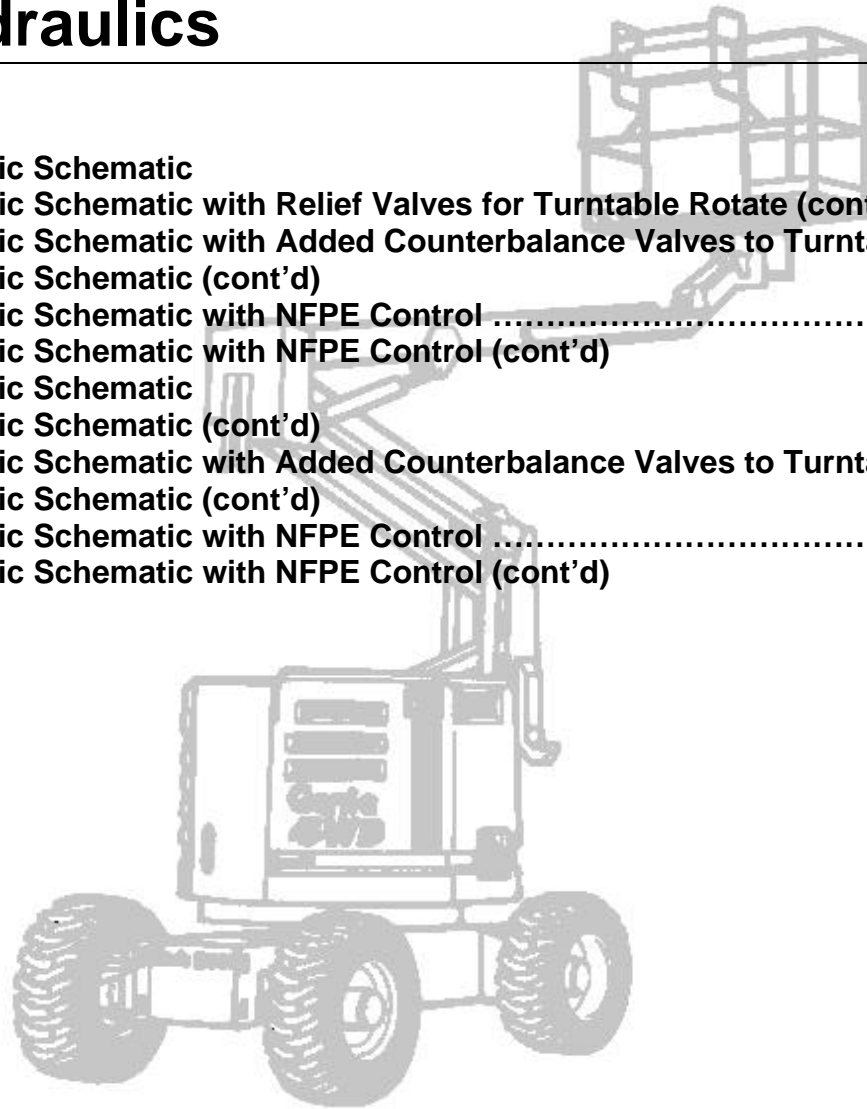
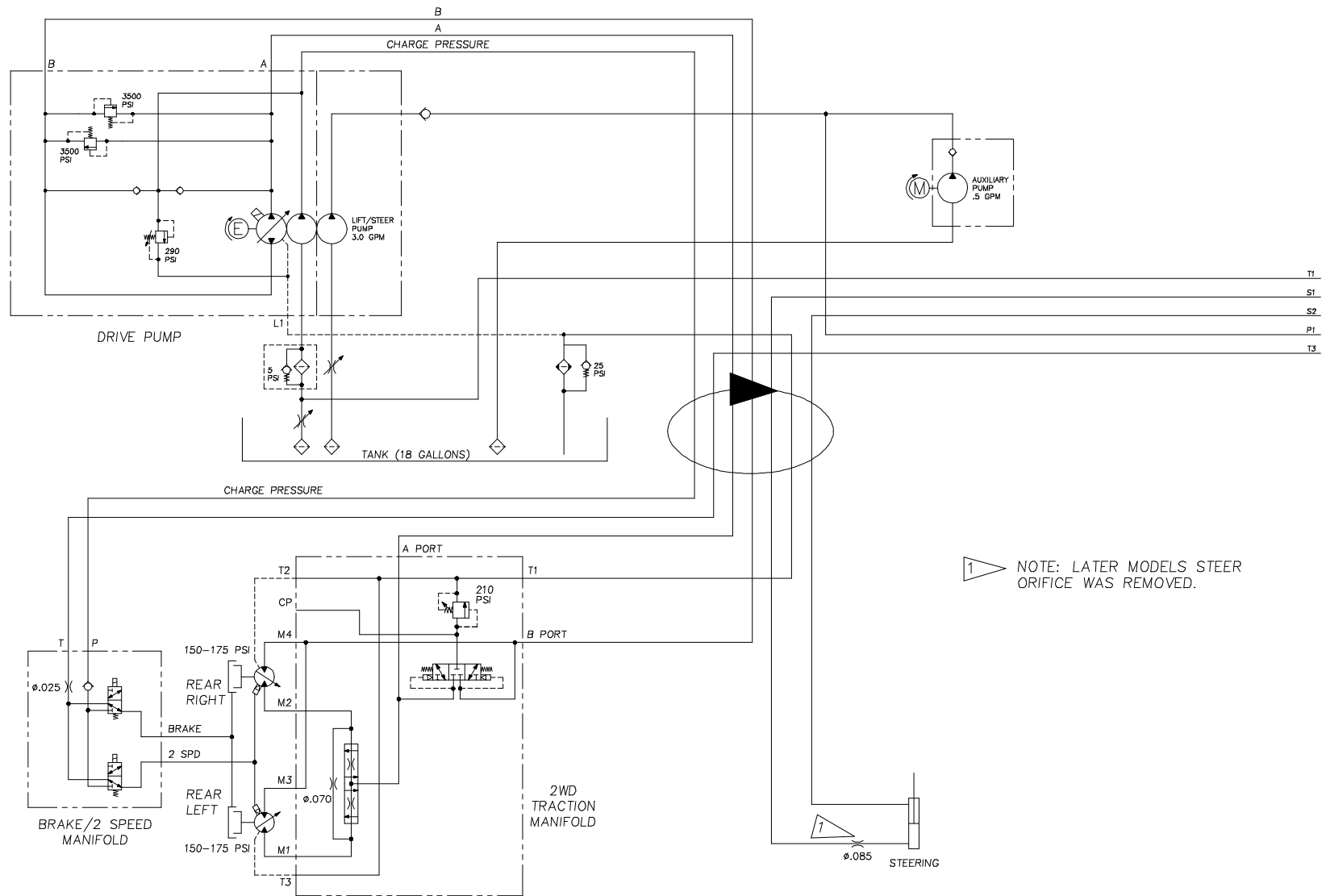


Z7 Z34/22 Hydraulics

Page:	Model:	Serial Number:
Z7-01A	Z34IC 2WD – Hydraulic Schematic	
Z7-01B	Z34IC 2WD – Hydraulic Schematic with Relief Valves for Turntable Rotate (cont'd)	
Z7-01C	Z34IC 2WD – Hydraulic Schematic with Added Counterbalance Valves to Turntable Rotate (cont'd)	
Z7-01D	Z34IC 2WD – Hydraulic Schematic (cont'd)	
Z7-02A	Z34IC 2WD – Hydraulic Schematic with NFPE Control	Z34-1572 & above
Z7-02B	Z34IC 2WD – Hydraulic Schematic with NFPE Control (cont'd)	" " " "
Z7-03A	Z34IC 4WD – Hydraulic Schematic	
Z7-03B	Z34IC 4WD – Hydraulic Schematic (cont'd)	
Z7-03C	Z34IC 4WD – Hydraulic Schematic with Added Counterbalance Valves to Turntable Rotate (cont'd)	
Z7-03D	Z34IC 4WD – Hydraulic Schematic (cont'd)	
Z7-04A	Z34IC 4WD – Hydraulic Schematic with NFPE Control	Z34-1547 & above
Z7-04B	Z34IC 4WD – Hydraulic Schematic with NFPE Control (cont'd)	" " " "

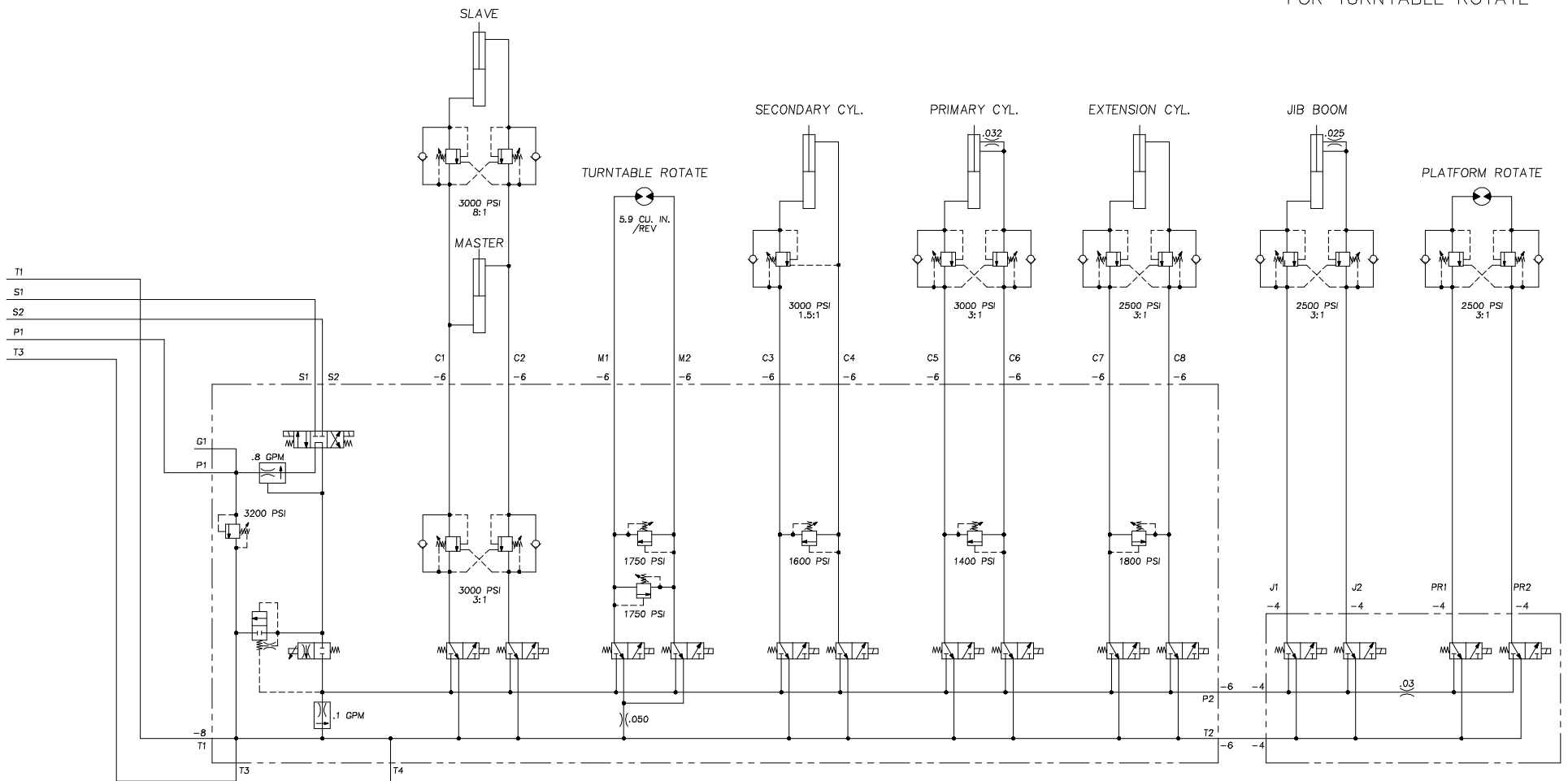


Z341C 2WD
HYDRAULIC SCHEMATIC

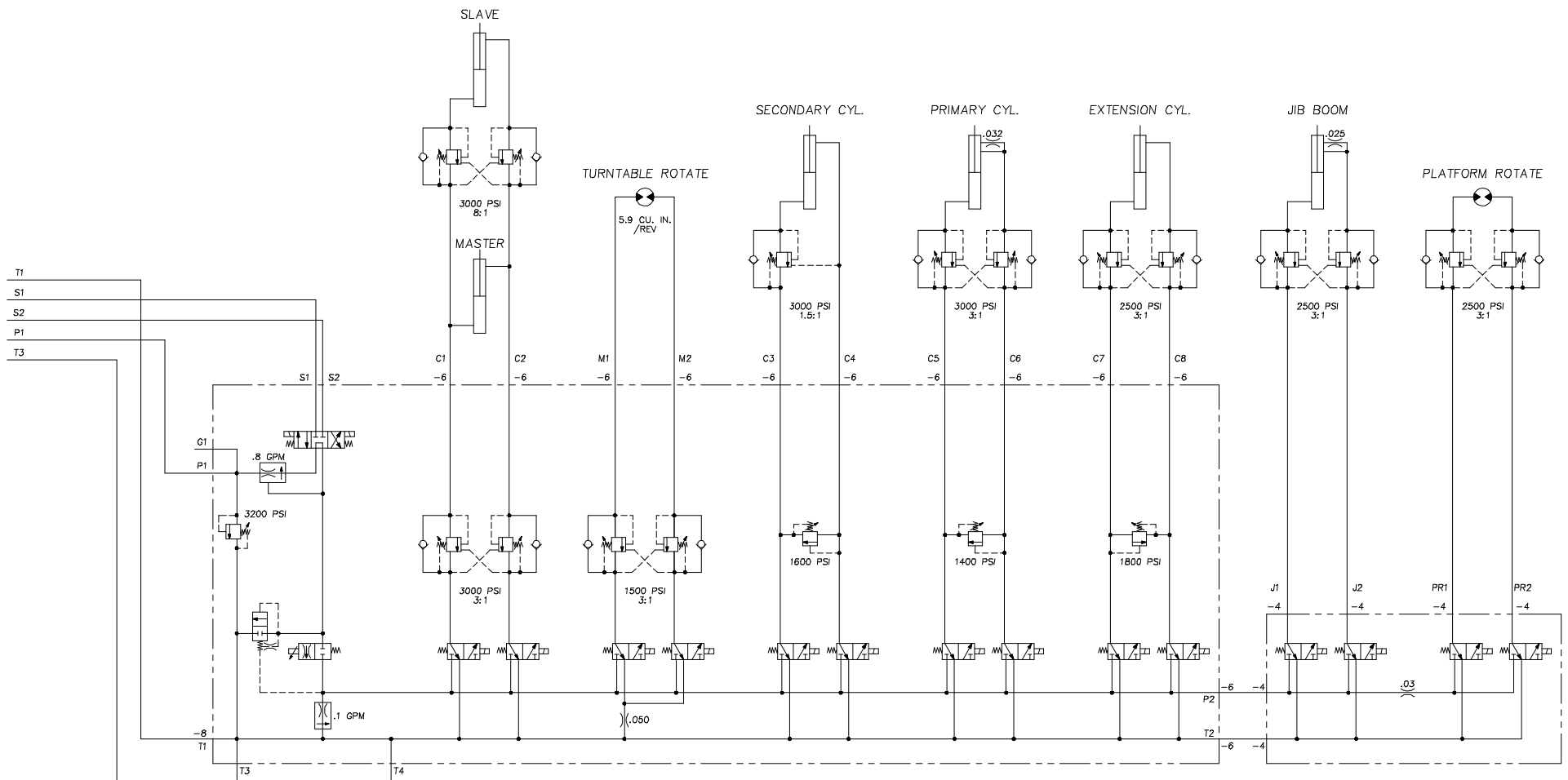


1 NOTE: LATER MODELS STEER ORIFICE WAS REMOVED.

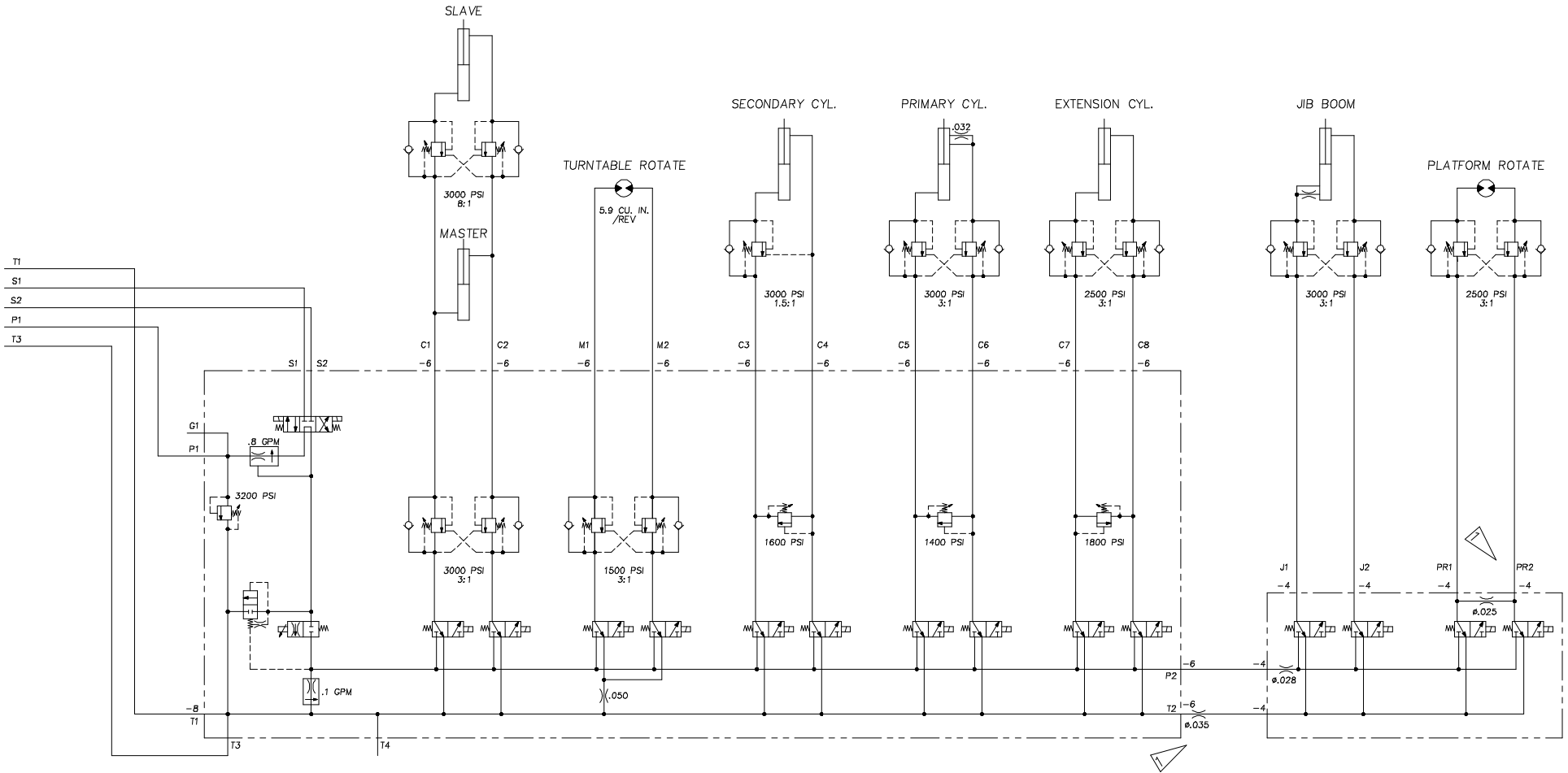
Z341C 2WD
 HYDRAULIC SCHEMATIC (cont'd)
 WITH RELIEF VALVES
 FOR TURNTABLE ROTATE



Z341C 2WD
 HYDRAULIC SCHEMATIC (cont'd)
 ADDED COUNTERBALANCE VALVES
 TO TURNTABLE ROTATE



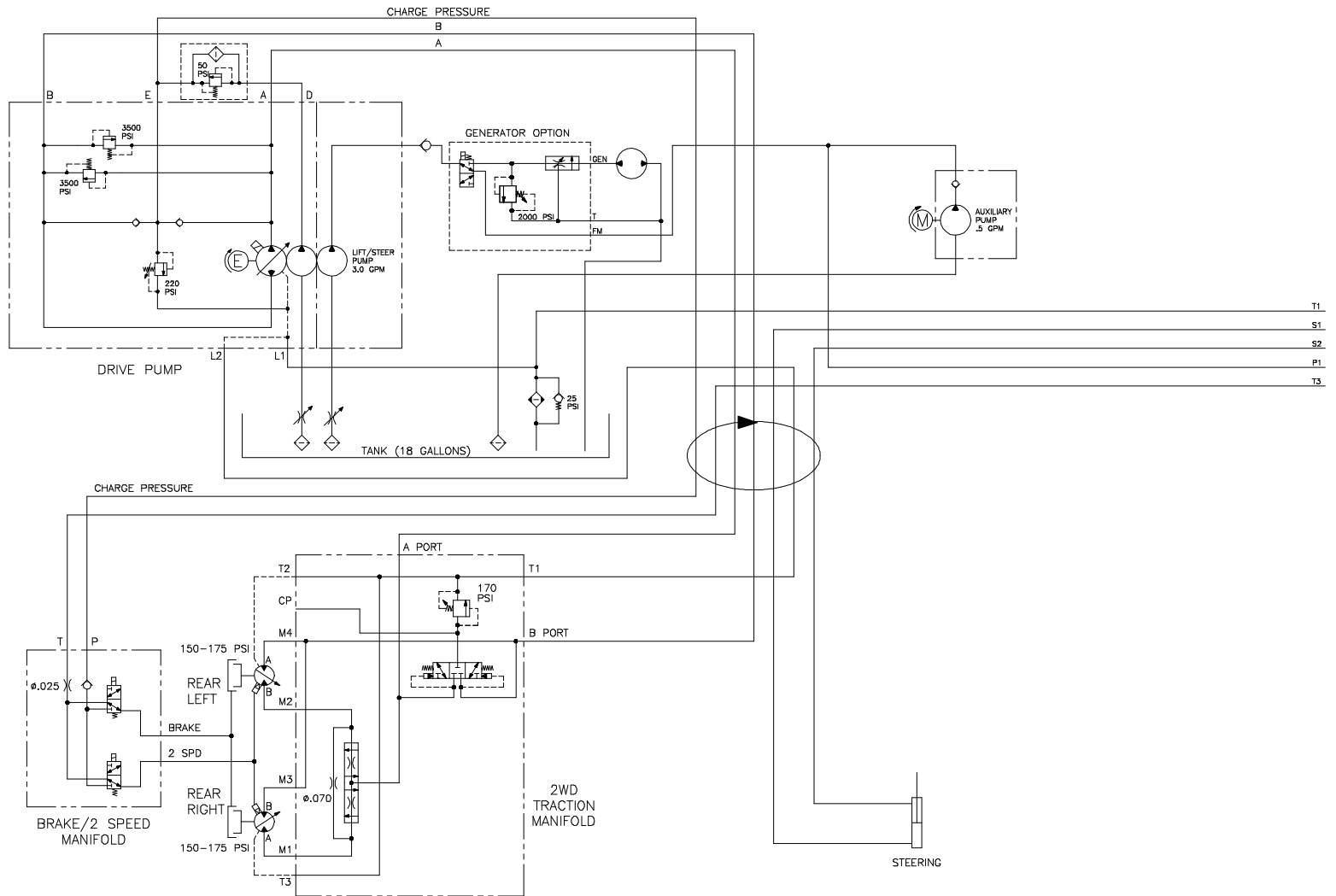
Z341C 2WD
HYDRAULIC SCHEMATIC (cont'd)



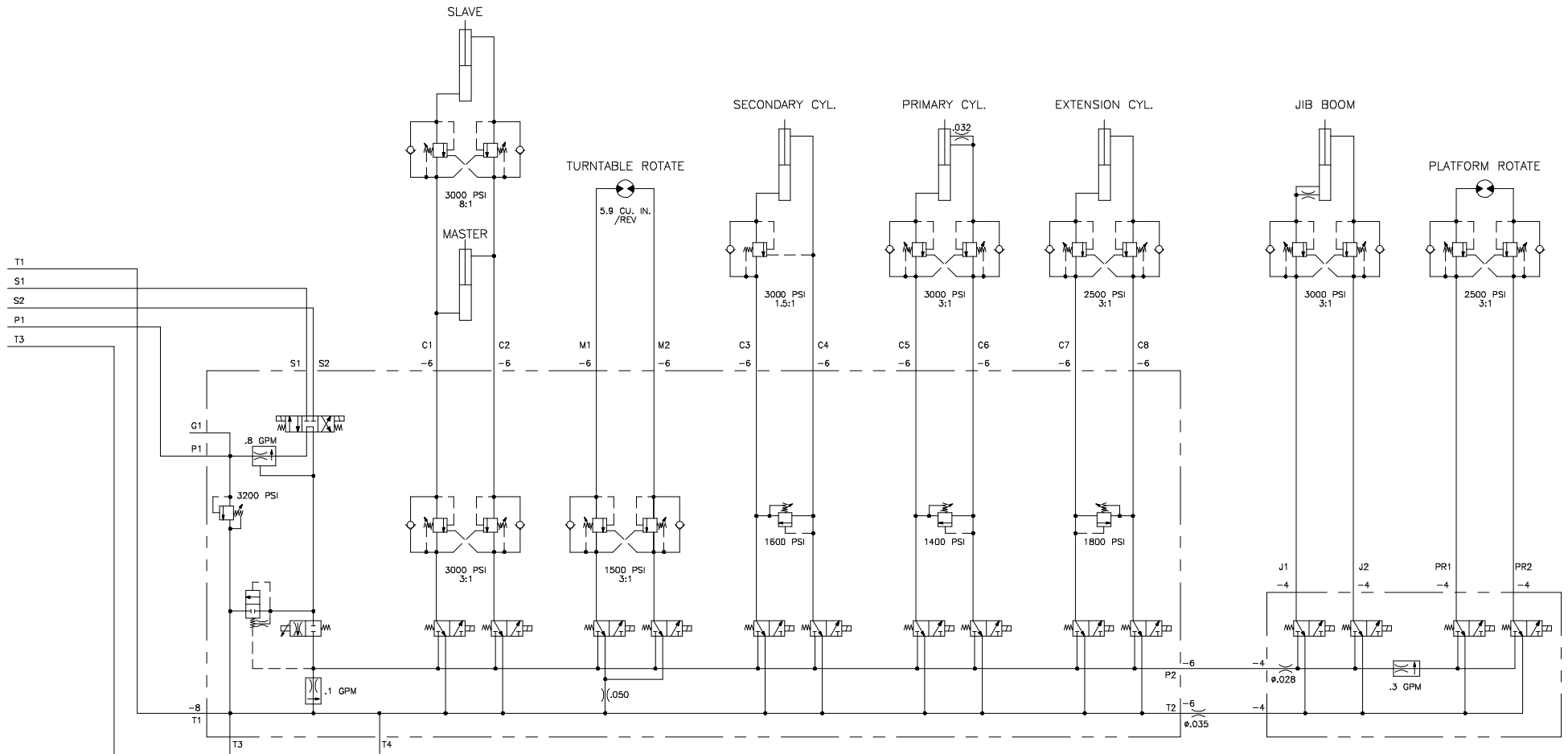
NOTE:

▶ ADDED .035 ORIFICE AT T2 PORT
.025 LEAKAGE ORIFICE PLATFORM
ROTATE

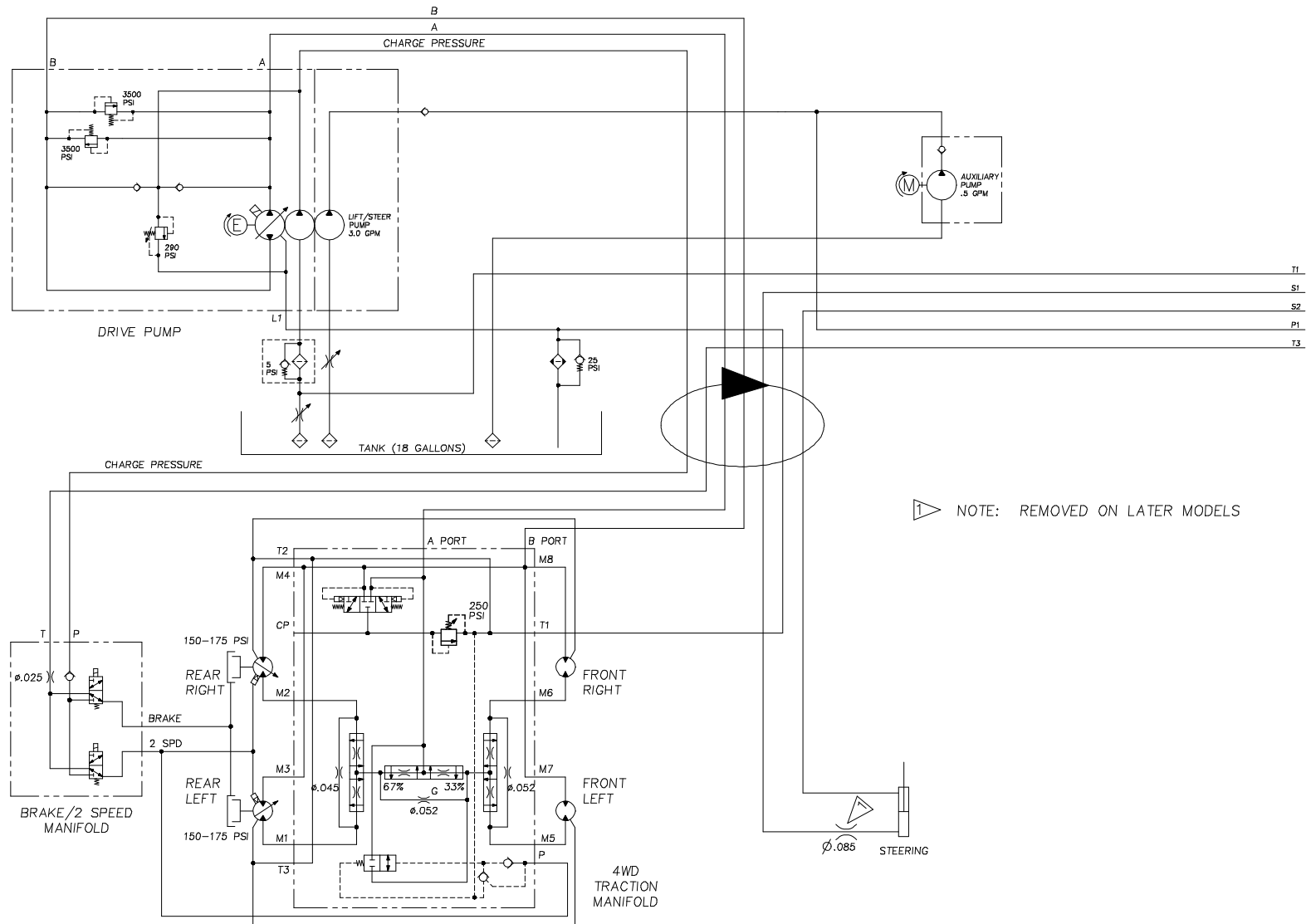
Z34IC 2WD
 HYDRAULIC SCHEMATIC
 WITH NFPE CONTROL
 SERIAL # Z34-1572 & ABOVE



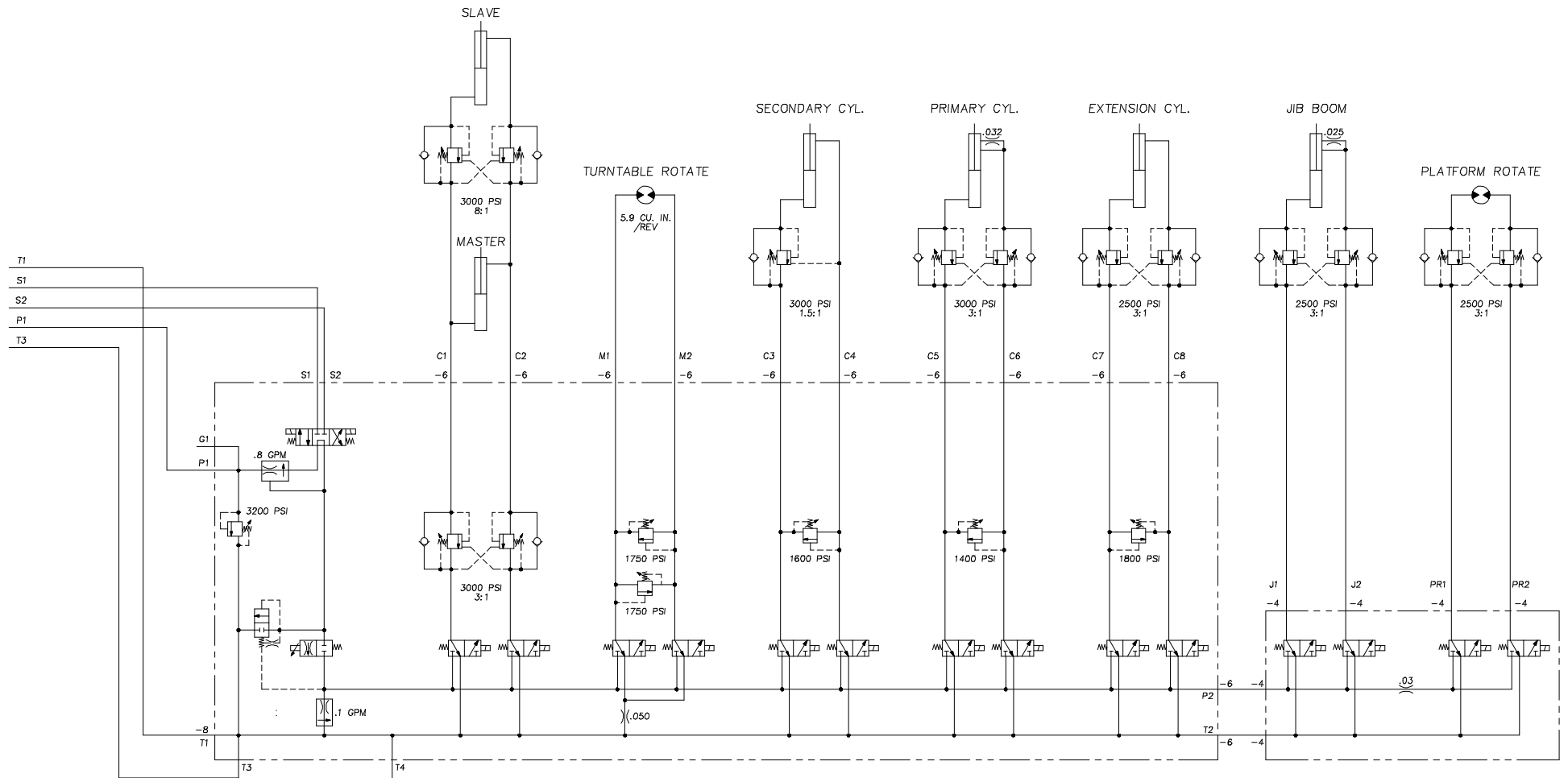
Z34IC 2WD
 HYDRAULIC SCHEMATIC (cont'd)
 WITH NFPE CONTROL
 SERIAL # Z34-1572 & ABOVE



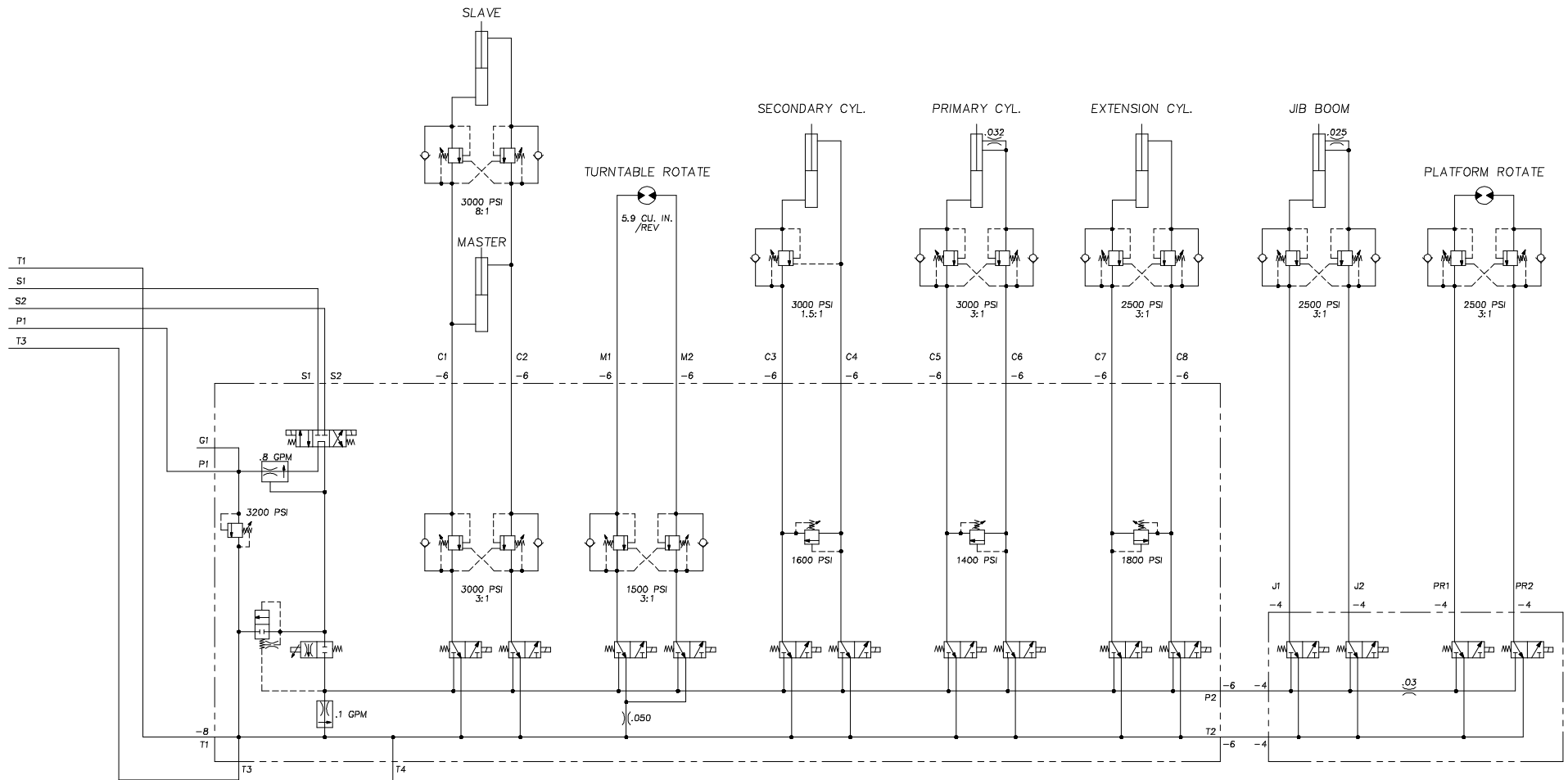
Z341C 4WD
HYDRAULIC SCHEMATIC



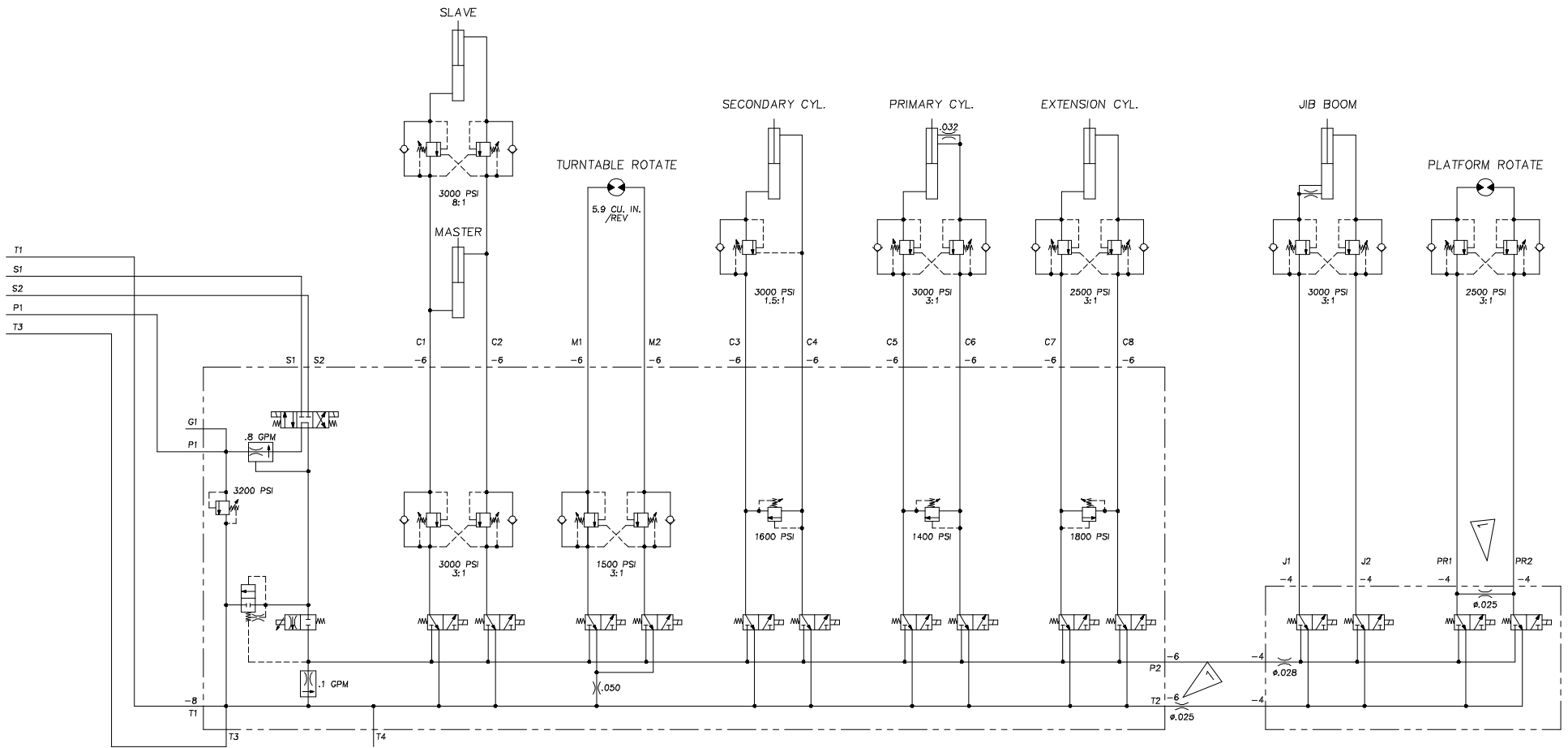
Z341C 4WD
HYDRAULIC SCHEMATIC (cont'd)



Z341C 4WD
 HYDRAULIC SCHEMATIC (cont'd)
 ADDED COUNTERBALANCE VALVES
 TO TURNTABLE ROTATE

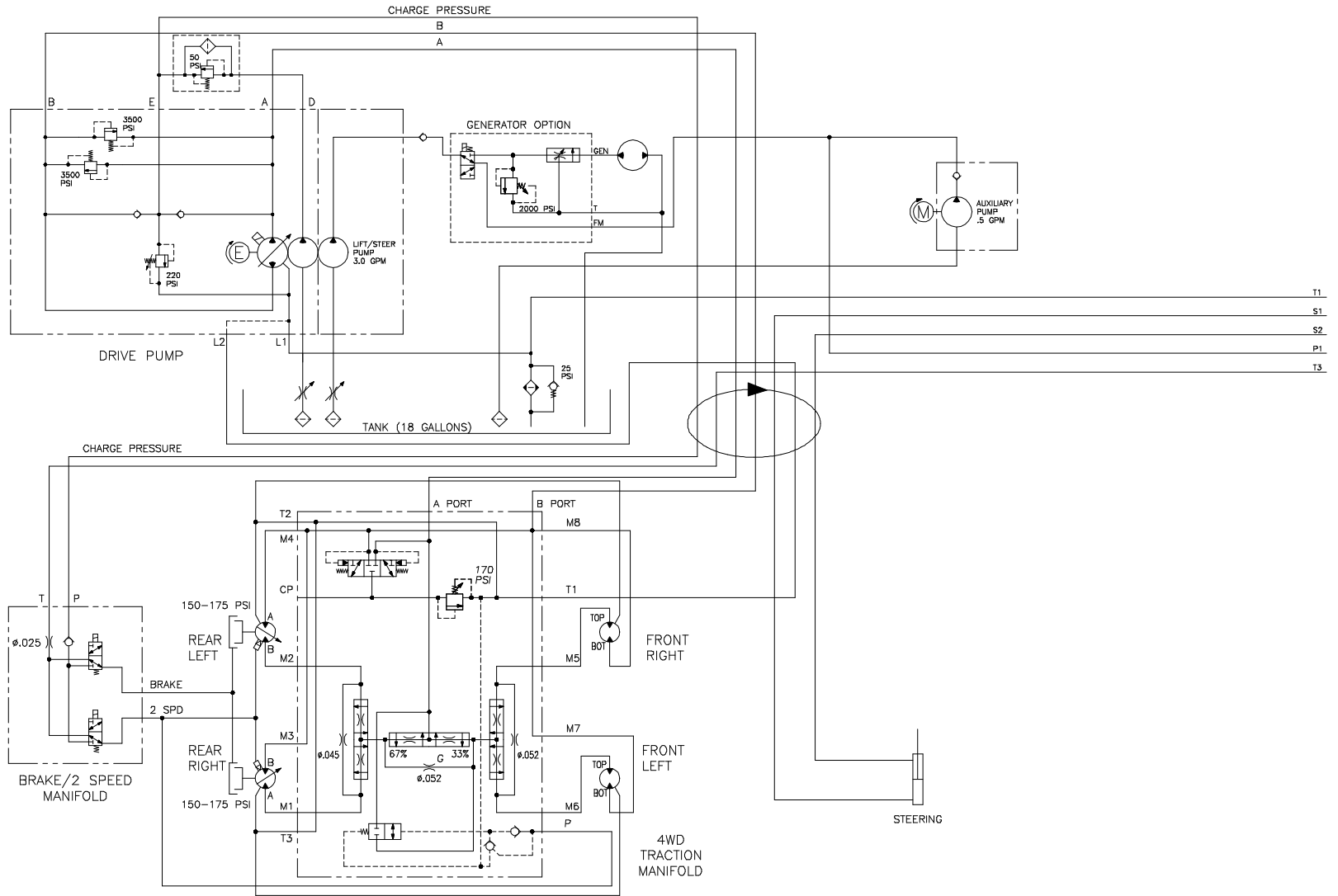


Z341C 4WD
HYDRAULIC SCHEMATIC (cont'd)



NOTE: JIB MANIFOLD CHANGED TO 42987, ADDED .035, LIB CYL. CHANGED TO 42507
3000 PSI WAS 2500 PSI

Z341C 4WD
 HYDRAULIC SCHEMATIC
 WITH NFPE CONTROL
 SERIAL # Z34-1547 & ABOVE



Z341C 4WD
 HYDRAULIC SCHEMATIC (cont'd)
 WITH NFPE CONTROL
 SERIAL # Z34-1547 & ABOVE

