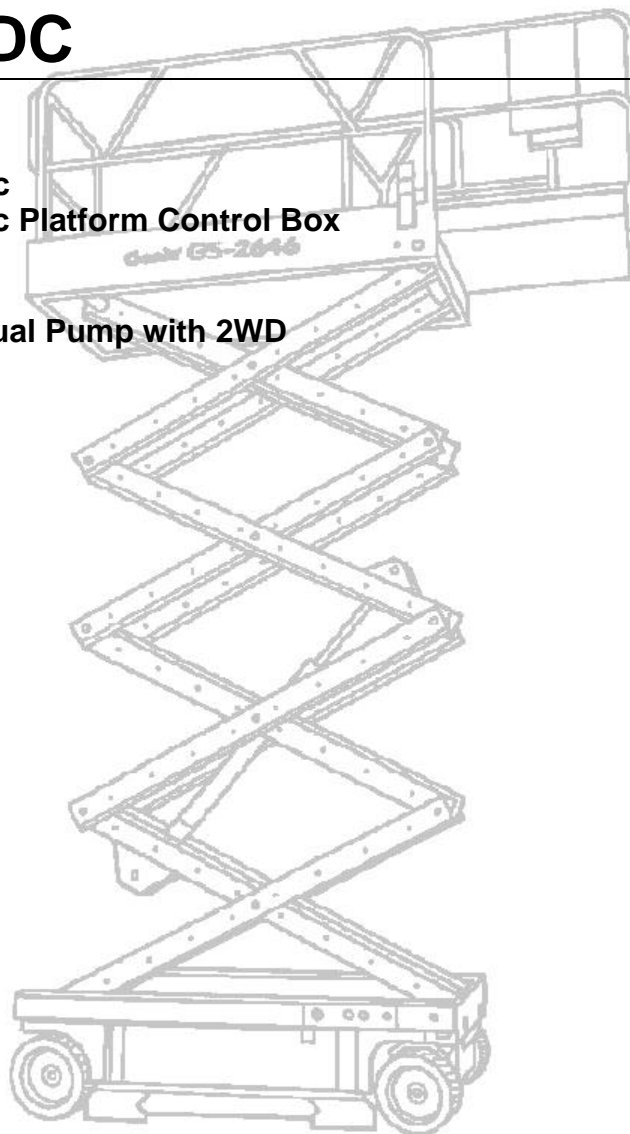


GS2 GS 2668, 3268 DC

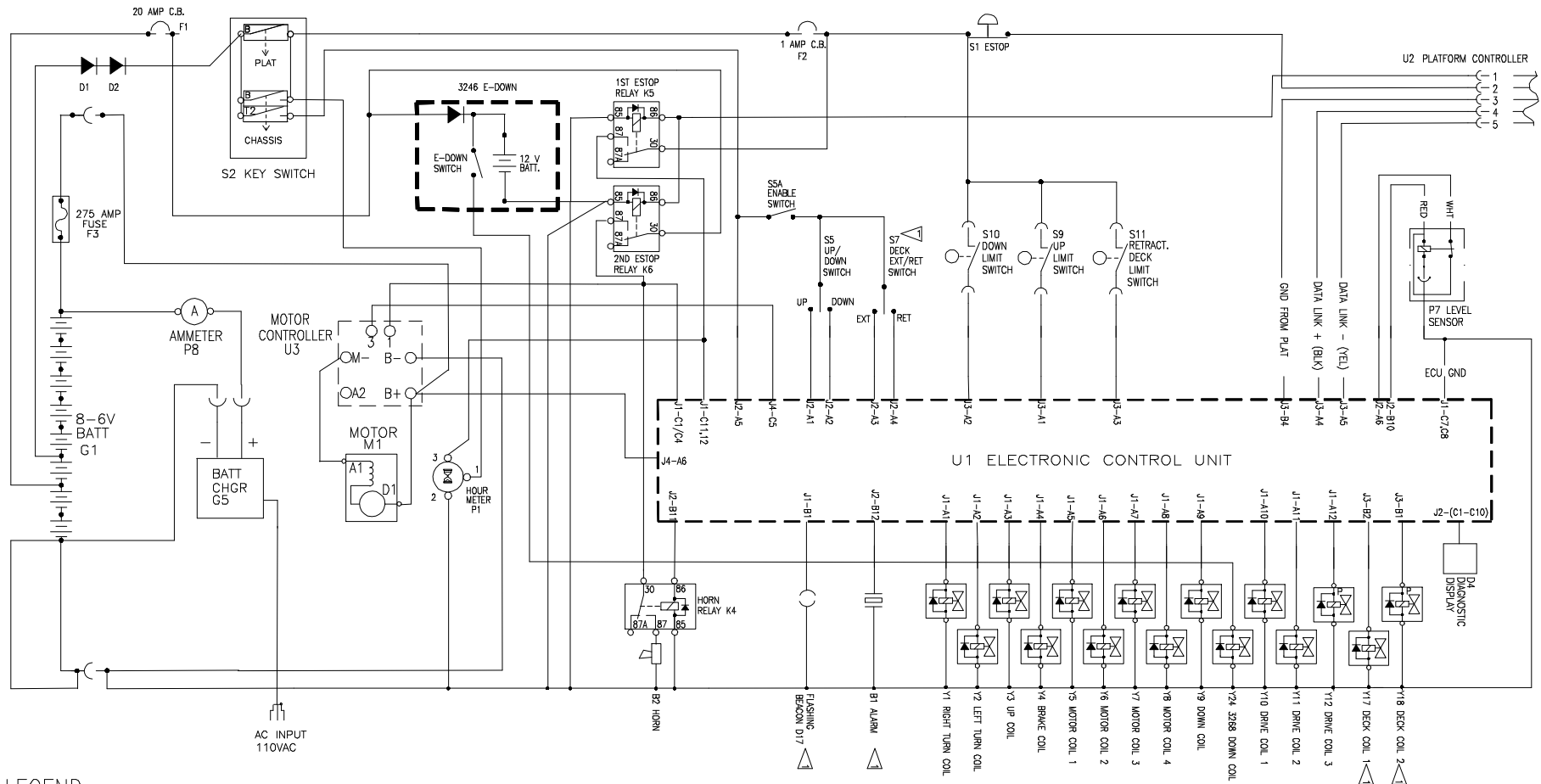
Page: Model:

Serial Number:

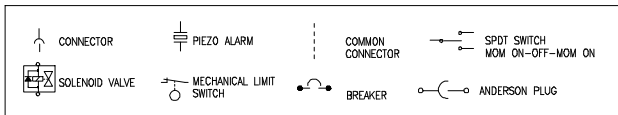
- GS2-01A GS68 DC - Electrical Schematic
- GS2-01B GS68 DC - Electrical Schematic Platform Control Box
- GS2-02 GS68 - ECM Wiring Diagram
- GS2-03 GS2668/3268 - Harness
- GS2-04 GS68 - Hydraulic Schematic Dual Pump with 2WD



GS68 DC ELECTRICAL SCHEMATIC

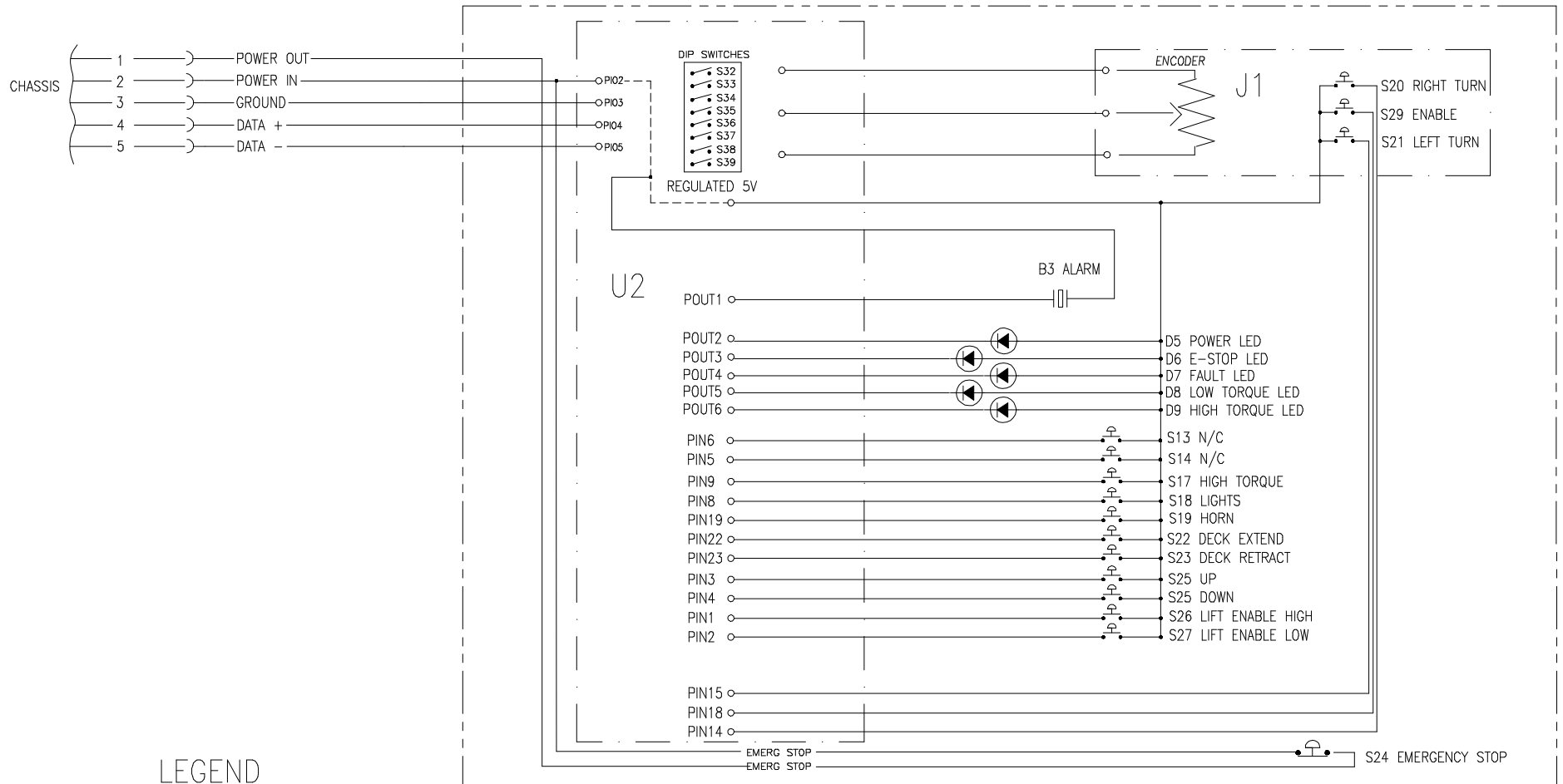


LEGEND



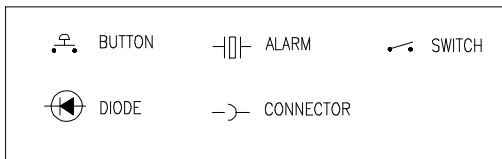
NOTES:
▷ OPTION

GS68 DC
ELECTRICAL SCHEMATIC
PLATFORM CONTROL BOX

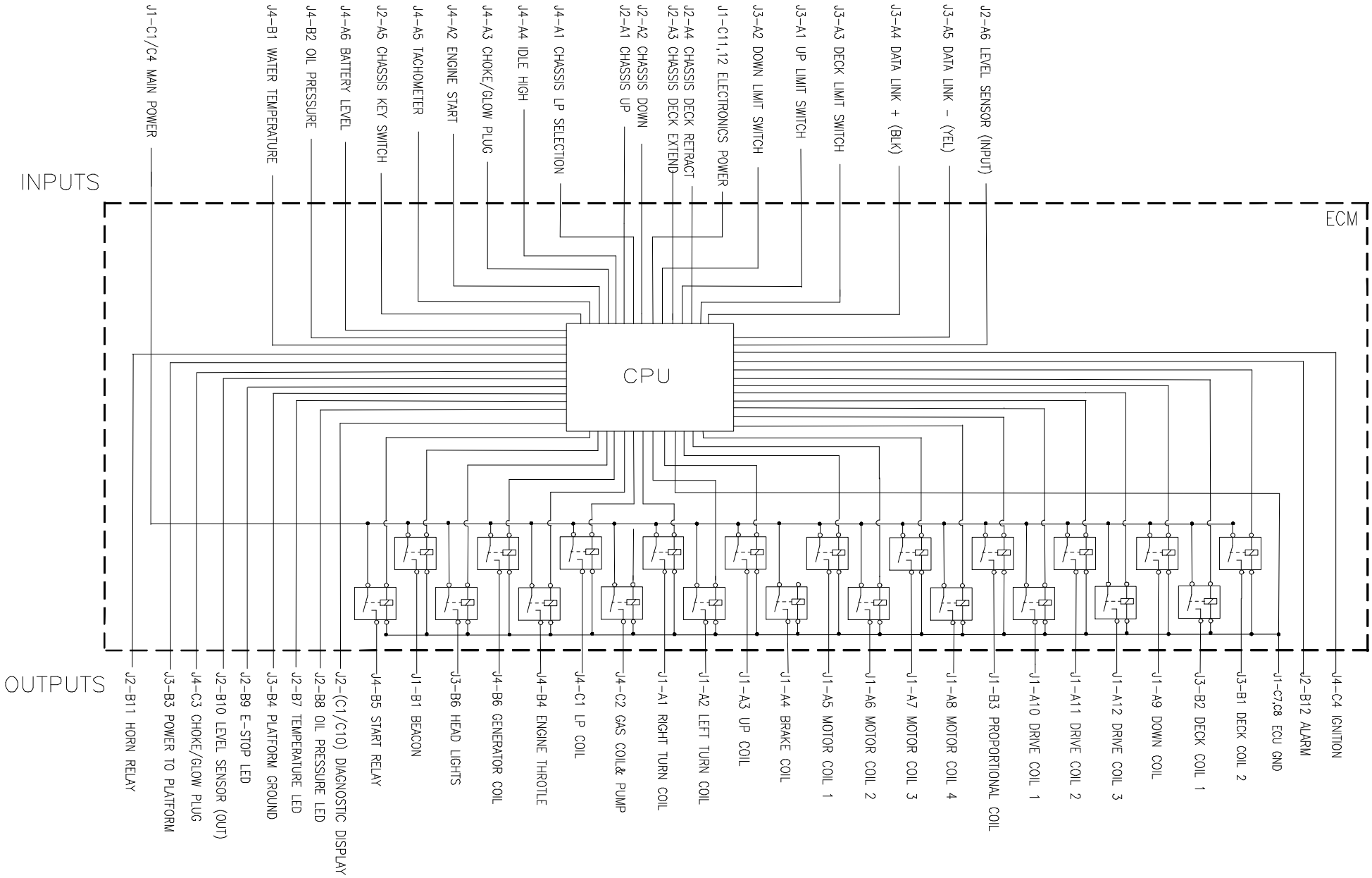


PLATFORM CONTROLLER

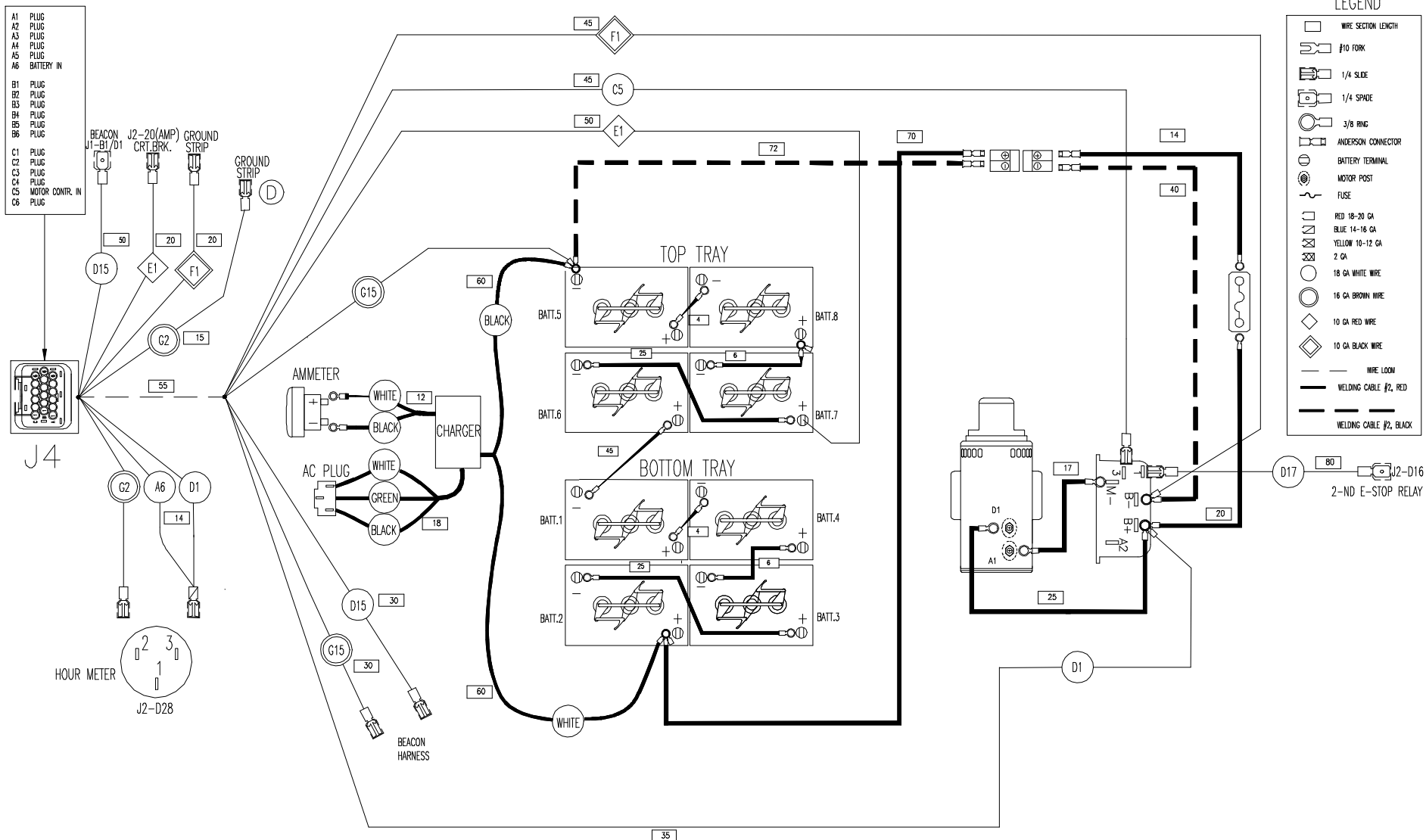
LEGEND



GS68 – ECM WIRING DIAGRAM



CS2668/3268 DC HARNESS



GS68
HYDRAULIC SCHEMATIC
DUAL PUMP WITH 2WD

