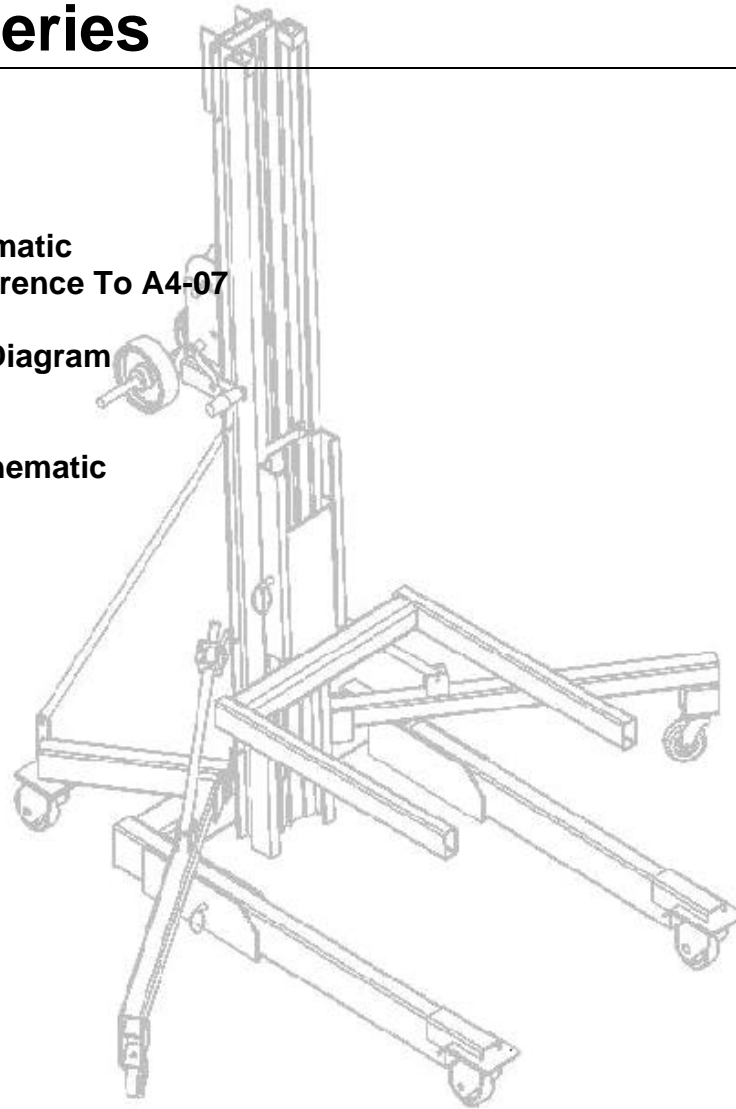


A9 DPL Super Series

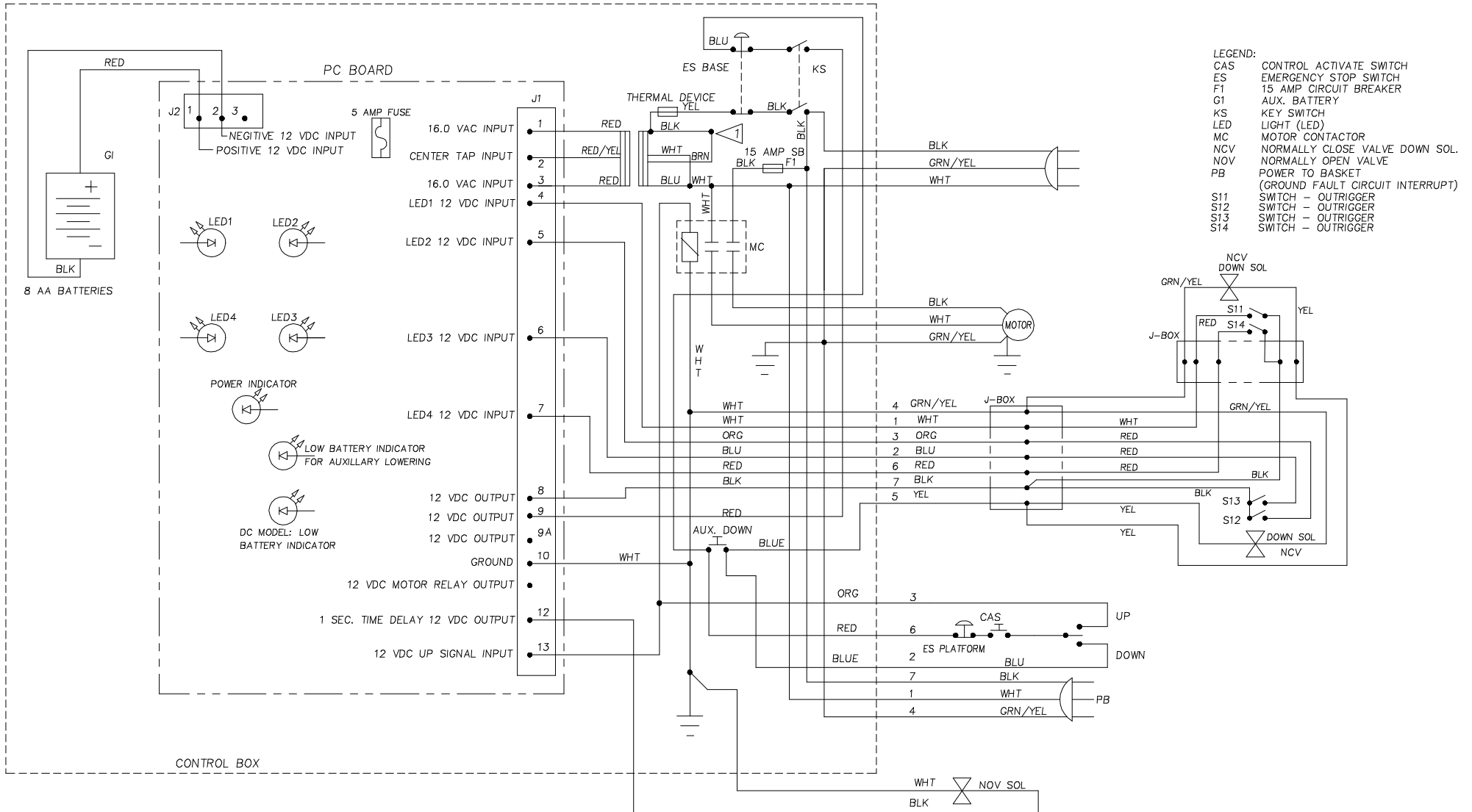
Page: Model:

Serial Number:

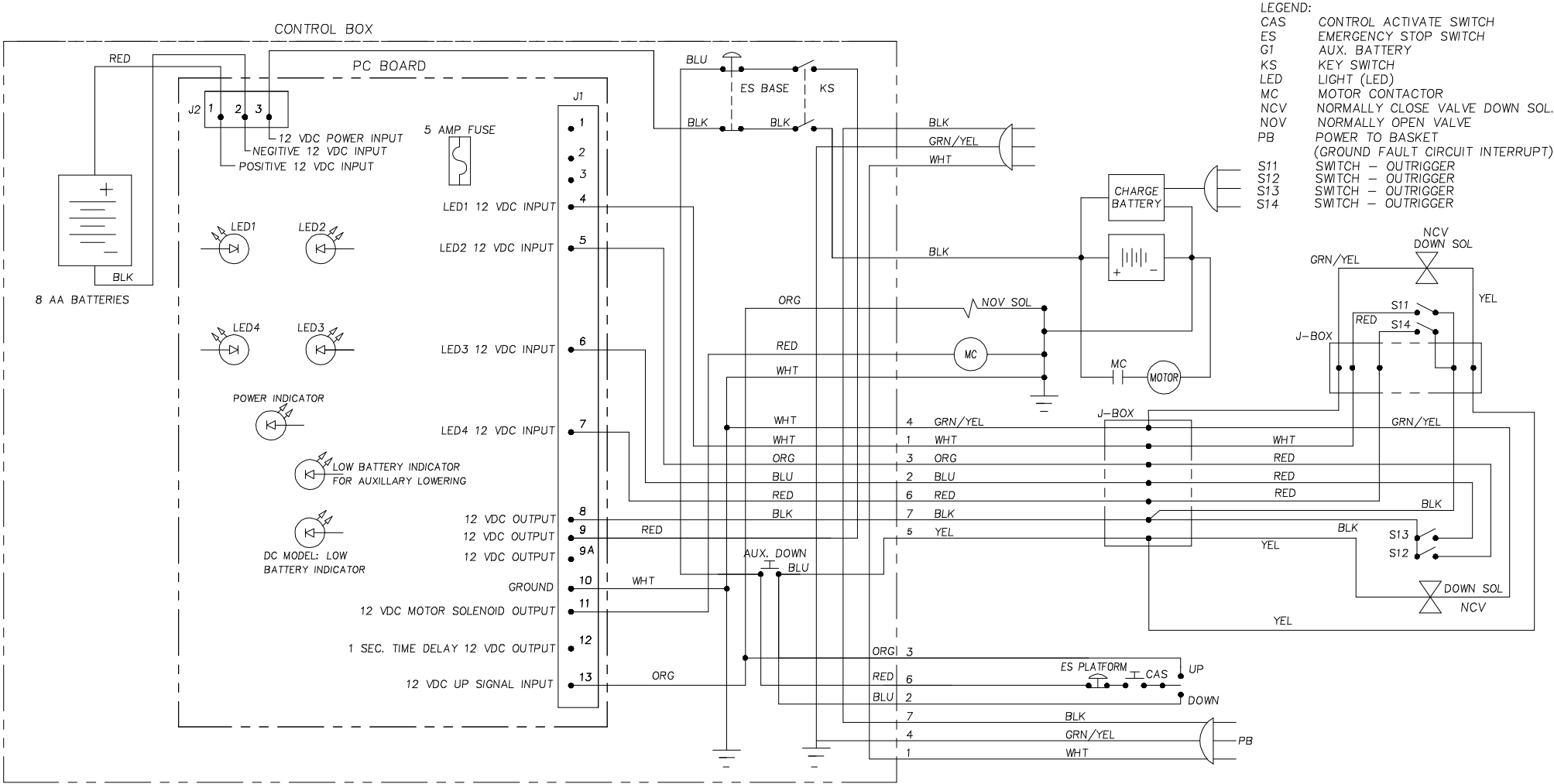
- A9-01 AC Electrical Schematic
- A9-02 DC Electrical Schematic
- A9-03 TUV - DC Electrical Schematic
- A9-04 Ground Control Box Reference To A4-07
- A9-05 Base Wiring Diagram
- A9-06A Platform Control Wiring Diagram
- A9-06B Control System
- A9-07 Hydraulic Schematic
- A9-08 Pneumatic/ Hydraulic Schematic



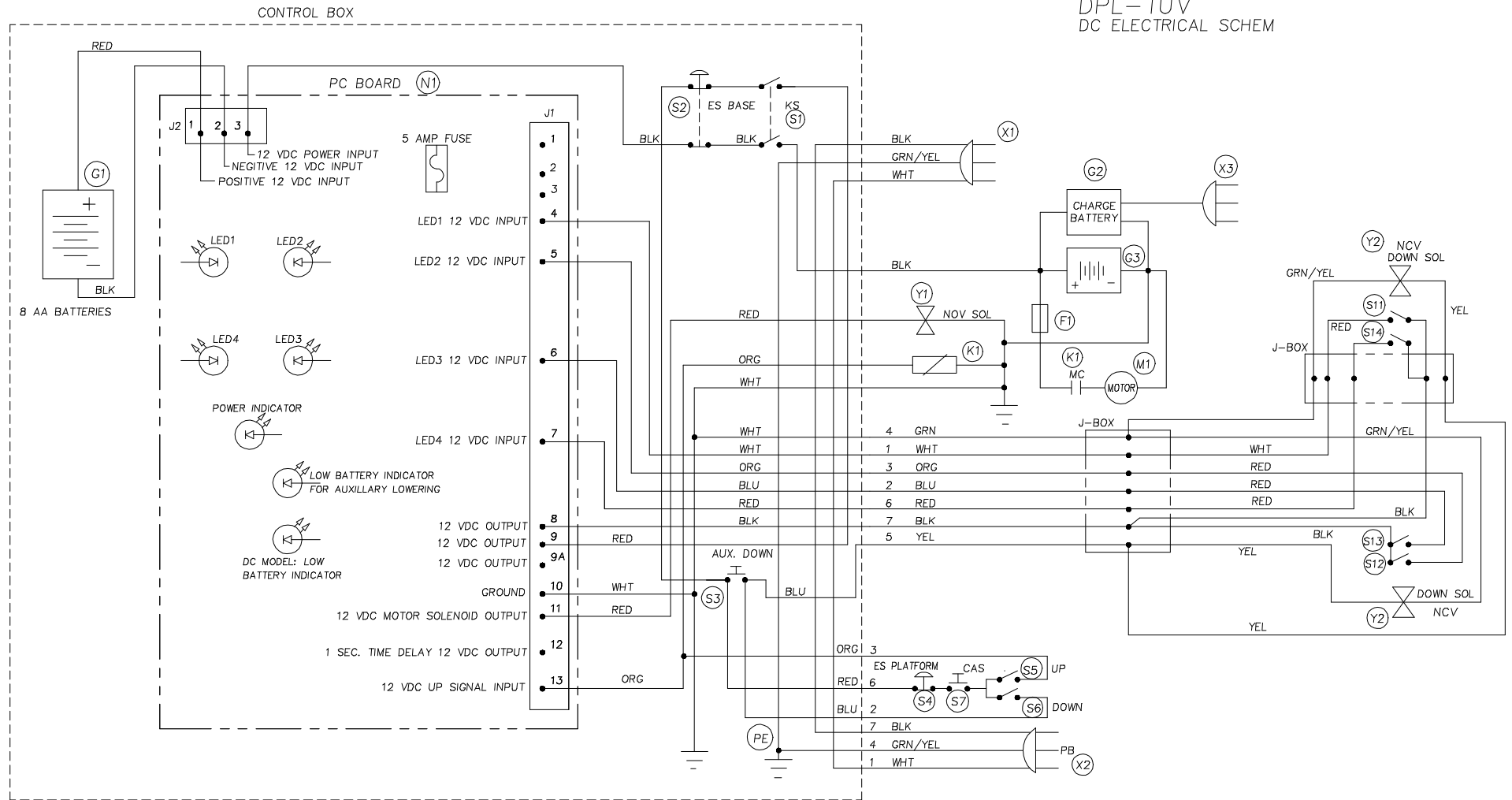
DPL SUPER SERIES AC ELECTRICAL SCHEM



DPL SUPER SERIES DC ELECTRICAL SCHEM



DPL-TUV
DC ELECTRICAL SCHEM



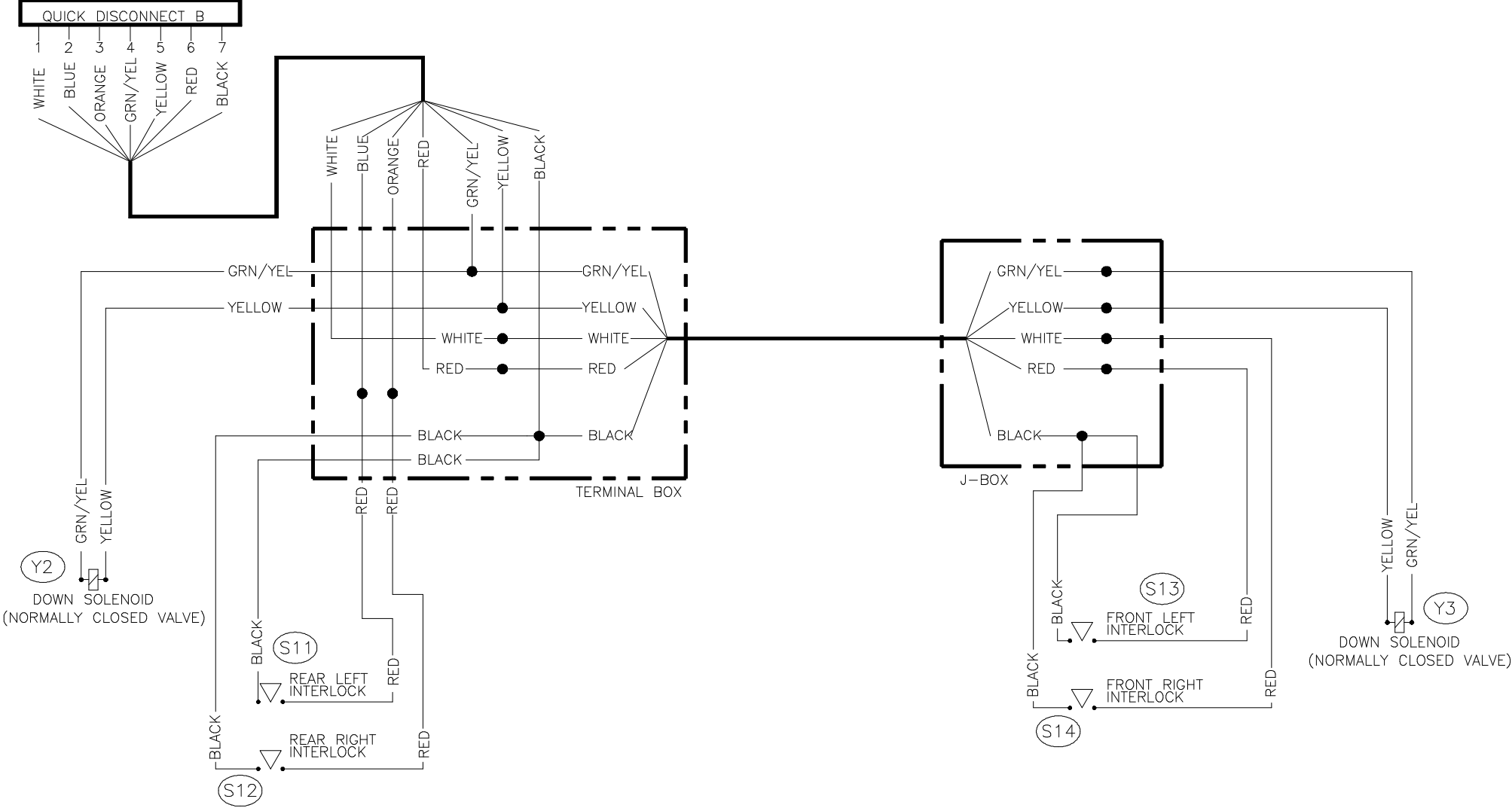
LEGEND

CAS	CONTROL ACTIVATE SWITCH	M1	MOTOR	S13	OUTRIGGER SWITCH
ES	EMERGENCY STOP SWITCH	PE	PROTECTIVE EARTH	S14	OUTRIGGER SWITCH
KS	KEY SWITCH	S1	KEY SWITCH	N1	PC BOARD
L	LIGHT (LED)	S2	EMERGENCY STOP	X1	POWER RECEPTACLE
MC	MOTOR CONTACTOR	S3	PUSH BUTTON	X2	GFIC RECEPTACLE
NOV	NORMALLY OPEN VALVE	S4	EMERGENCY STOP	X3	CHARGE RECEPTACLE
PB	POWER TO BASKET (GROUND FAULT CIRCUIT INTERRUPT)	S5	PUSH BUTTON	Y1	HYDRAULIC SOLENOID N.O.
F1	175 AMP FUSE	S6	PUSH BUTTON	Y2	HYDRAULIC SOLENOID N.C.
G1	AUX. BATTERY	S7	PUSH BUTTON		
G2	BATTERY CHARGER	S8	LEVEL SENSOR SWITCH		
G3	12 VOLT BATTERY	S11	OUTRIGGER SWITCH		
K1	MOTOR CONTACTOR	S12	OUTRIGGER SWITCH		

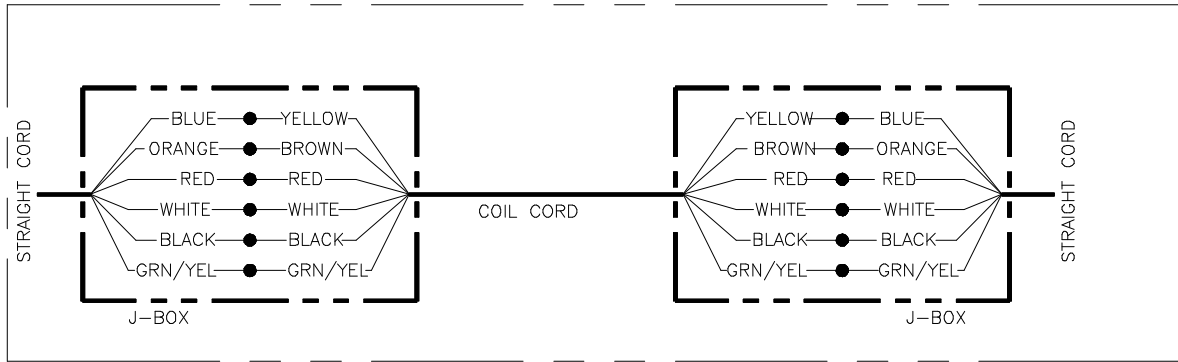
DPL SUPER SERIES
GROUND CONTROL BOX

SEE DRAWING PAGE A4-07

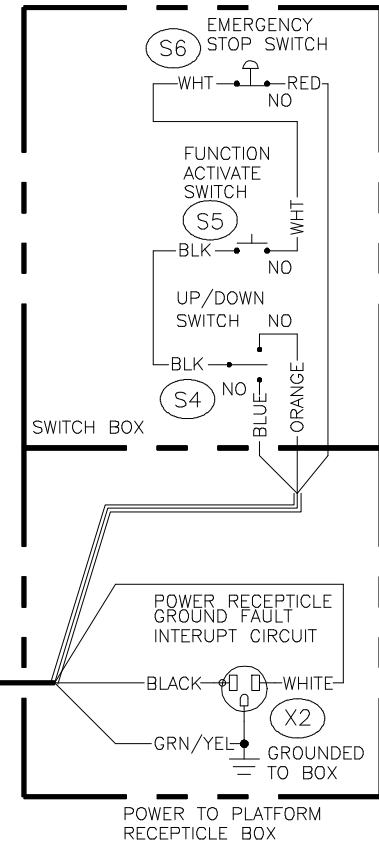
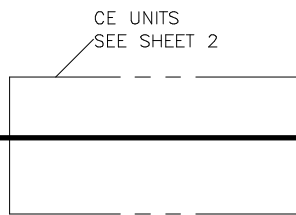
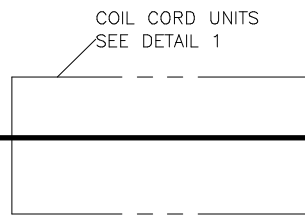
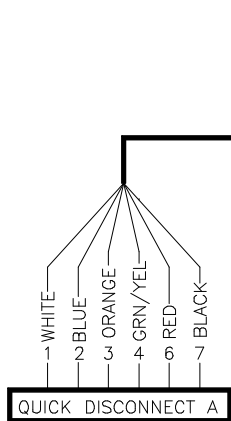
DPL SUPER SERIES
BASE WIRING DIAGRAM



DPL SUPER SERIES
PLATFORM CONTROL WIRING DIAGRAM

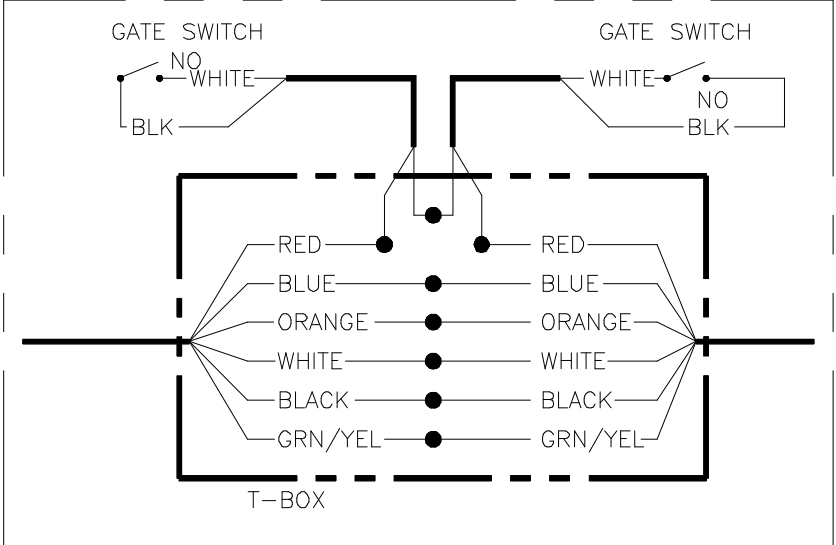


DETAIL 1:
COIL CORD



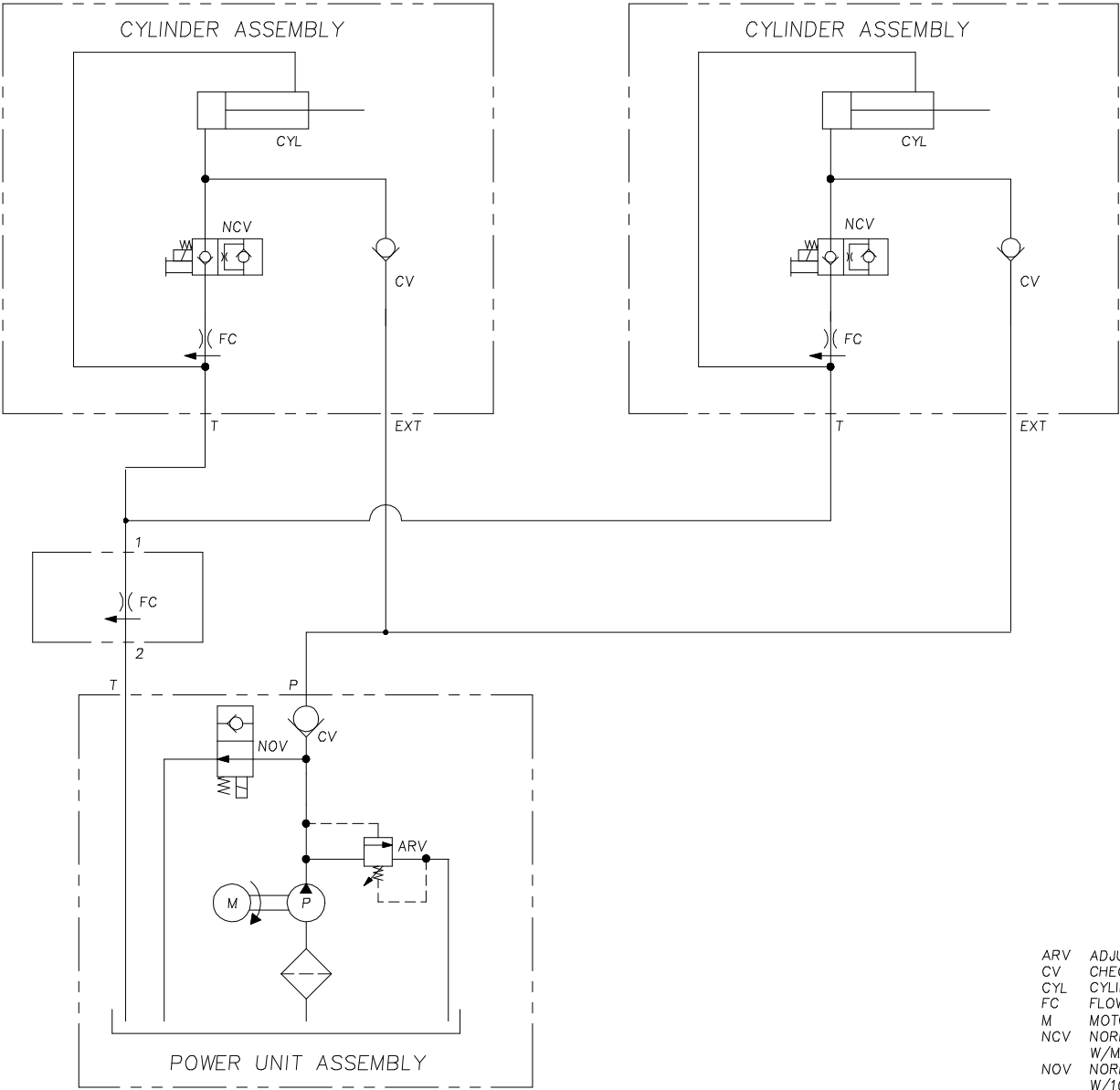
DPL CONTROL SYSTEM
SUPER SERIES

DPL SUPER SERIES
CONTROL SYSTEM



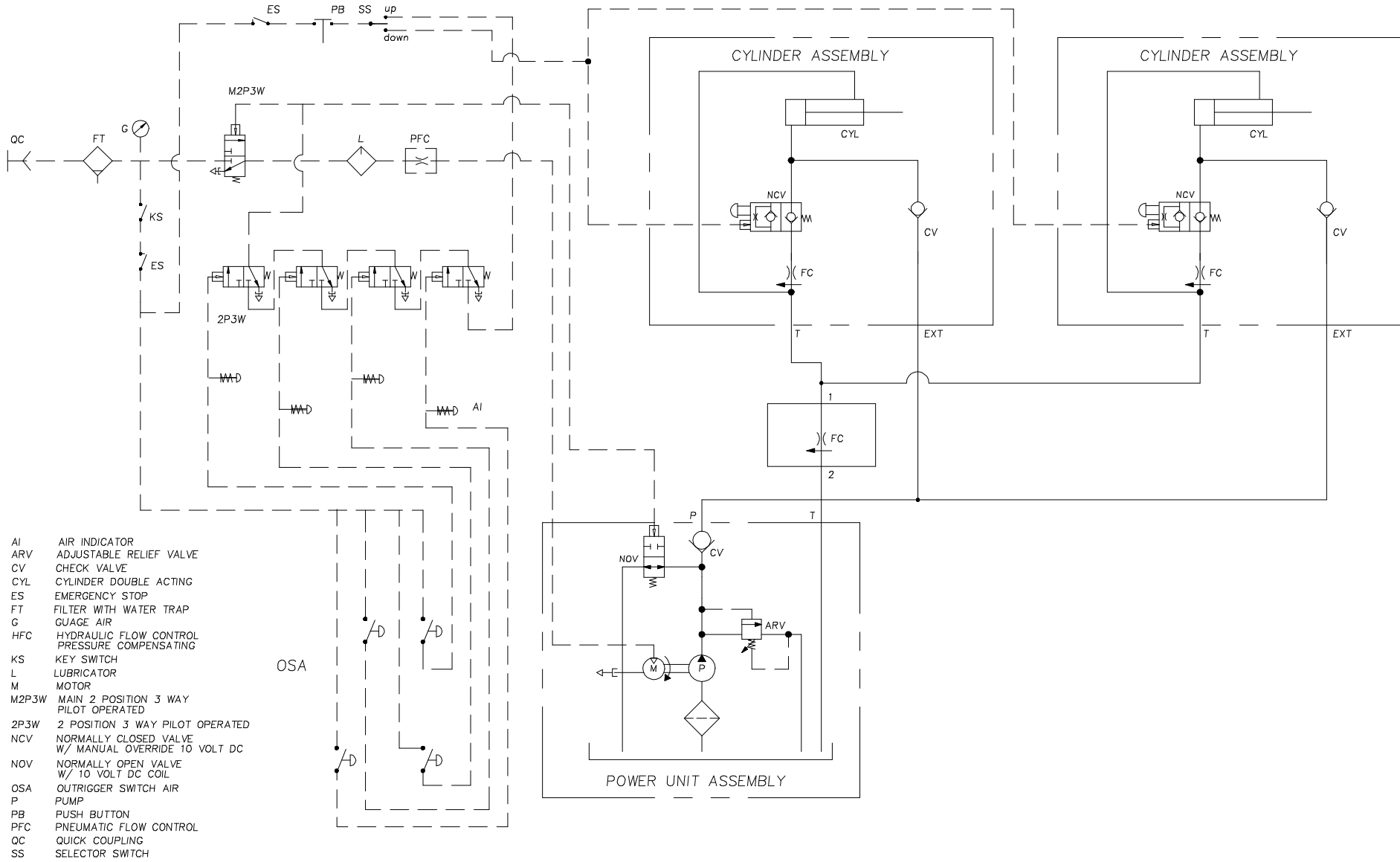
DETAIL 2:
CE UNITS

DPL SUPER SERIES
HYDRAULIC SCHEM

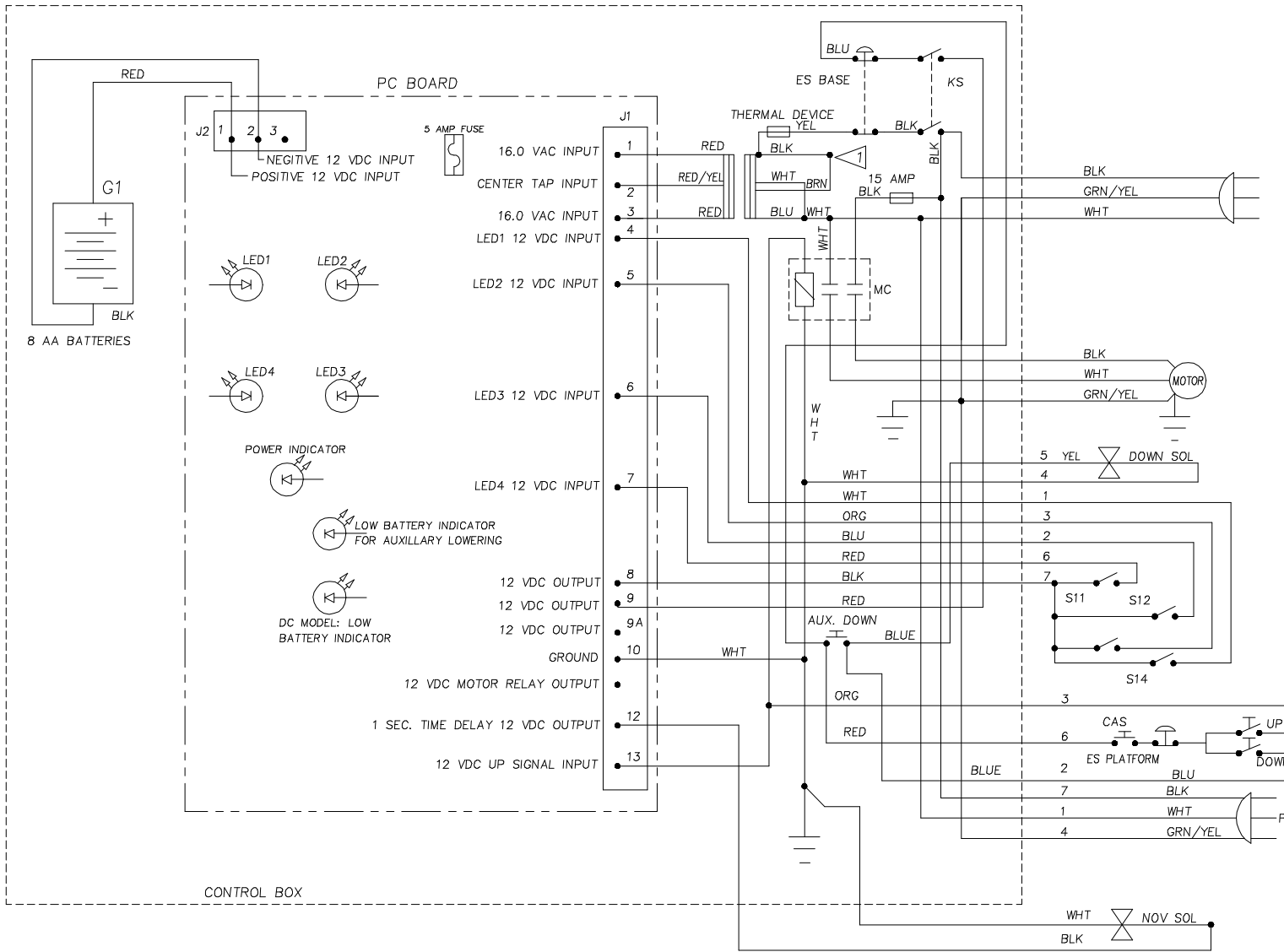


- ARV ADJUSTABLE RELIEF VALVE
- CV CHECK VALVE
- CYL CYLINDER DOUBLE ACTING
- FC FLOW CONTROL PRESSURE COMPENSATING
- M MOTOR
- NCV NORMALLY CLOSED VALVE
W/MANUAL OVERRIDE 10 VOLT DC
- NOV NORMALLY OPEN VALVE
W/10 VOLT DC COIL
- P PUMP

DPL SUPER SERIES PNEUMATIC HYDRAULIC



AWP SUPERSERIES
TUV AC ELECTRICAL SCHEM 220V
SERIAL# 3896-460 & ABOVE



NOTES:
1 - FOR 120V OPERATION
JUMPER BROWN TO BLACK
AND BLUE TO WHITE
AS SHOWN.
- FOR 240V OPERATION
JUMPER BROWN TO WHITE
AND BLACK UNCONNECTED.

LEGEND:
CAS CONTROL ACTIVATE SWITCH
ES EMERGENCY STOP SWITCH
KS KEY SWITCH
LED LIGHT (LED)
MC MOTOR CONTACTOR
NOV NORMALLY OPEN VALVE
PB POWER TO BASKET
(GROUND FAULT CIRCUIT INTERRUPT)