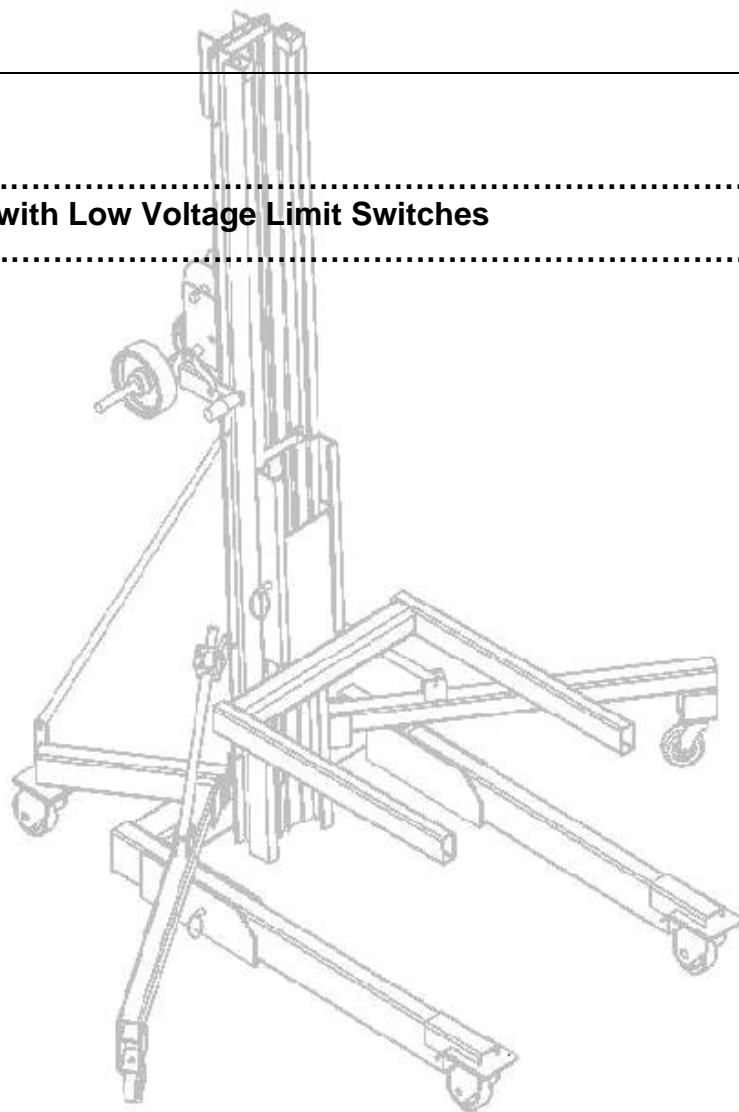


# A2 AWP 1

Page: Model: Serial Number:

A2-01	AC Electrical Schematic.....	3890-107 To 3891-5390
A2-02	AC Electrical Schematic, with Low Voltage Limit Switches	" " " "
A2-03	DC Electrical Schematic.....	3890-139 To 3891-3266



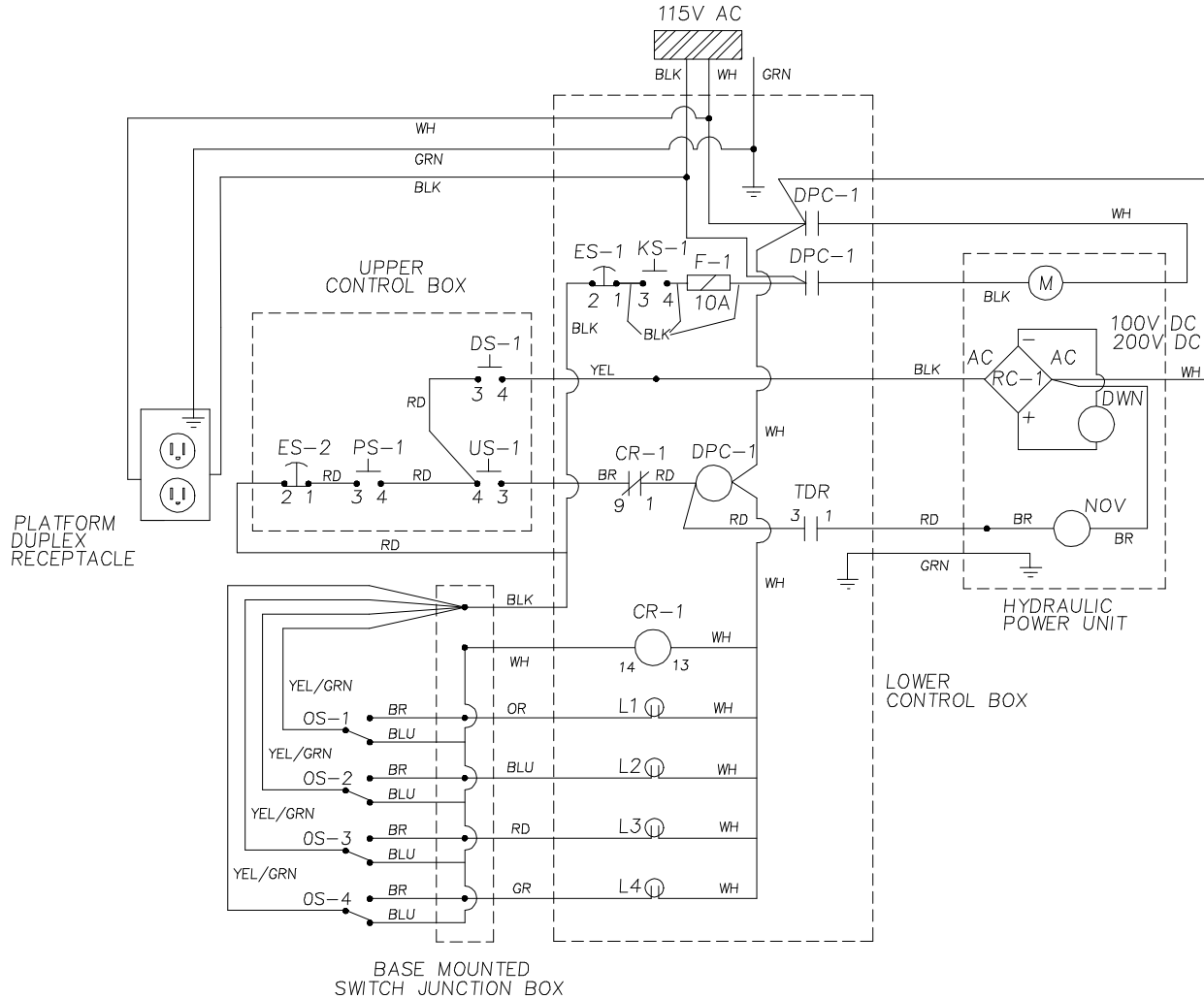
# AWP 1

AC ELECTRICAL SCHEM  
SERIAL# 3890-107 TO 3891-5390

NOTE: FOR 110V -50/60Hz APPLICATIONS.

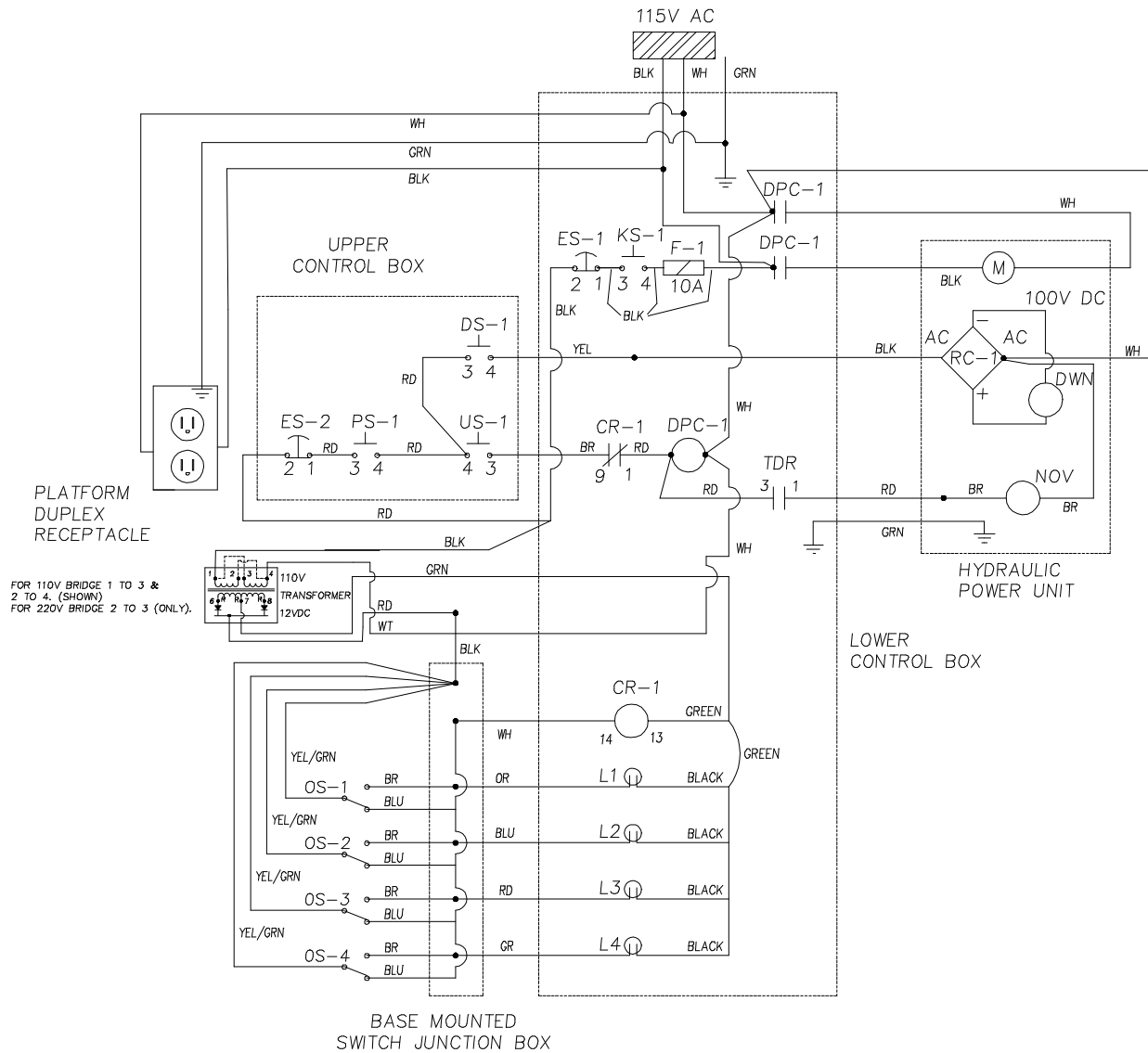
## AWP AC ELECTRICAL SYSTEM WIRING SCHEMATIC

- CR-1 CONTROL RELAY
- DPC-1 DEFINITE PURPOSE CONTACTOR (2-POLE)
- DS-1 DOWN SWITCH
- DWN DOWN RELEASE SOLENOID
- ES-1 EMERGENCY STOP SWITCH (LOWER)
- ES-2 EMERGENCY STOP SWITCH (UPPER)
- KS-1 KEY SWITCH
- L1 OUTRIGGER INDICATOR LED
- L2 OUTRIGGER INDICATOR LED
- L3 OUTRIGGER INDICATOR LED
- L4 OUTRIGGER INDICATOR LED
- M MOTOR 100-115/200/230V 50/60 NTZ
- NOV NORMALLY OPEN VALVE
- OS-1 OUTRIGGER SWITCHES
- OS-2 OUTRIGGER SWITCHES
- OS-3 OUTRIGGER SWITCHES
- OS-4 OUTRIGGER SWITCHES
- PS-1 POWER SWITCH
- RC-1 RECTIFIER
- TDR TIME DELAY RELAY
- US-1 UP SWITCH



AWP 1  
 AC ELECTRICAL SCHEM  
 W/LOW VOLTAGE LIMIT SWITCHES

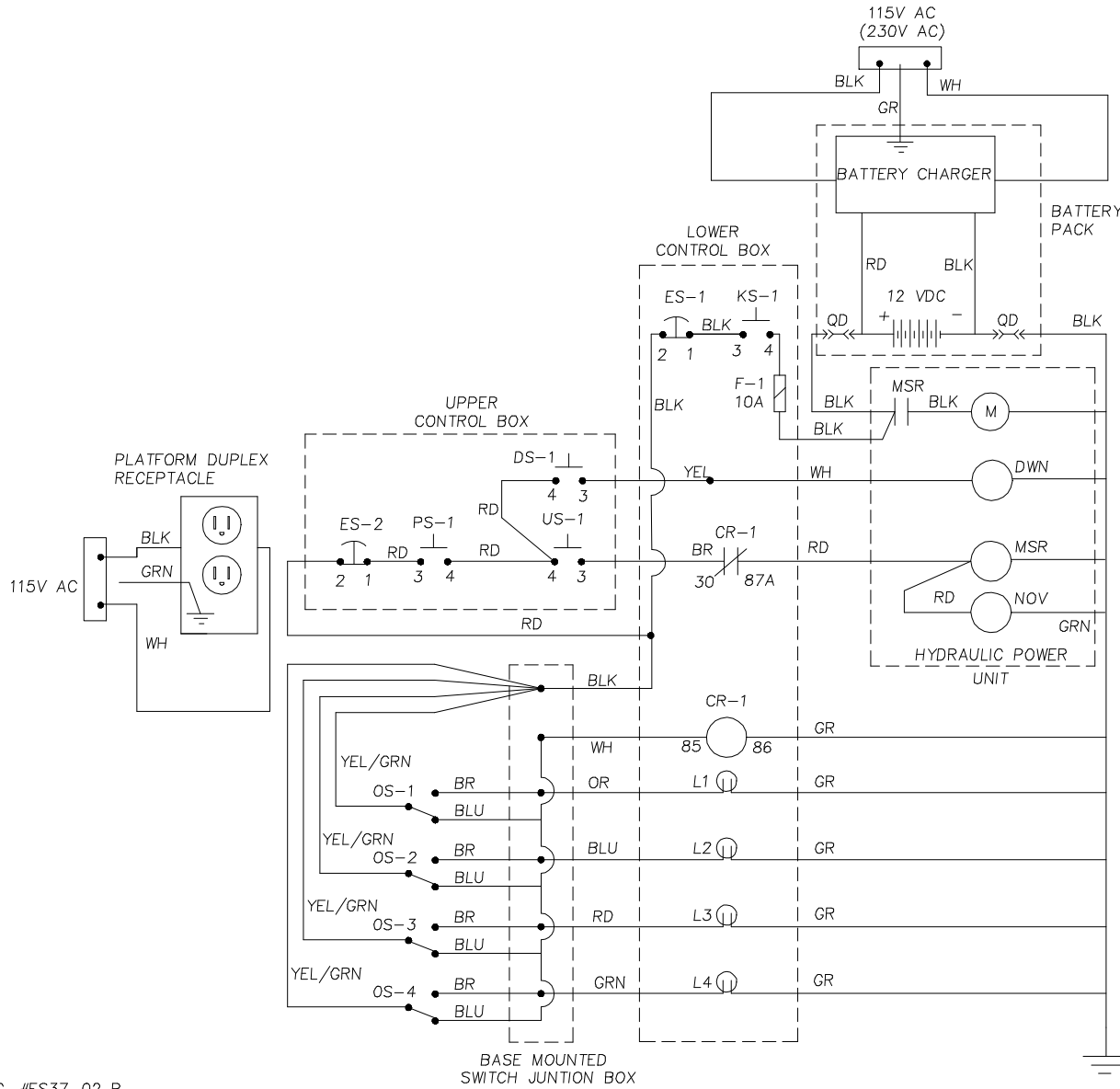
110V 50/60 HZ APPLICATIONS  
 220V 50/50 HZ APPLICATIONS



- AWP AC ELECTRICAL SYSTEM WIRING SCHEMATIC
- CR-1 CONTROL RELAY (DC)
  - DPC-1 DEFINITE PURPOSE CONTACTOR (2-POLE)
  - DS-1 DOWN SWITCH
  - DWN DOWN RELEASE SOLENOID
  - ES-1 EMERGENCY STOP SWITCH (LOWER)
  - ES-2 EMERGENCY STOP SWITCH (UPPER)
  - KS-1 KEY SWITCH
  - L1 OUTRIGGER INDICATOR LED
  - L2 OUTRIGGER INDICATOR LED
  - L3 OUTRIGGER INDICATOR LED
  - L4 OUTRIGGER INDICATOR LED
  - M MOTOR 100-115/200/230V 50/60 NTZ
  - NOV NORMALLY OPEN VALVE
  - OS-1 OUTRIGGER SWITCHES
  - OS-2 OUTRIGGER SWITCHES
  - OS-3 OUTRIGGER SWITCHES
  - OS-4 OUTRIGGER SWITCHES
  - PS-1 POWER SWITCH
  - RC-1 RECTIFIER
  - TDR TIME DELAY RELAY
  - US-1 UP SWITCH
  - T-1 TRANSFORMER AC TO 12V DC
  - F-1 FUSE 10A

AWP 1  
 DC ELECTRICAL SCHEMATIC  
 SERIAL # 3890-139 TO 3891-3266

AWP DC ELECTRICAL SYSTEM WIRING SCHEMATIC



- CR-1 CONTROL RELAY
- DS-1 DOWN SWITCH
- DWN DOWN RELEASE SOLENOID
- ES-1 EMERGENCY STOP SWITCH (LOWER)
- ES-2 EMERGENCY STOP SWITCH (UPPER)
- KS-1 KEY SWITCH
- L1 OUTRIGGER INDICATOR LED
- L2 OUTRIGGER INDICATOR LED
- L3 OUTRIGGER INDICATOR LED
- L4 OUTRIGGER INDICATOR LED
- M MOTOR - 12VDC
- MSR MOTOR START RELAY
- NOV NORMALLY OPEN VALVE
- OS-1 OUTRIGGER SWITCHES
- OS-2 OUTRIGGER SWITCHES
- OS-3 OUTRIGGER SWITCHES
- OS-4 OUTRIGGER SWITCHES
- US-1 UP SWITCH