



A TEREX BRAND

Parts Manual

Serial Number Range

Genie Superlift from serial number 0680-28278
to 0694-59559

Part No. 23550

Rev B2

November 2018

Technical Publications

Genie has endeavored to deliver the highest degree of accuracy possible. However, continuous improvement of our products is a Genie policy. Therefore, product specifications are subject to change without notice.

Readers are encouraged to notify Genie of errors and send in suggestions for improvement. All communications will be carefully considered for future printings of this and all other manuals.

Contact Us:

<http://www.genielift.com>
e-mail: awp.techpub@terex.com

Serial Number Information


Genie Industries offers the following Parts Manuals for these models.

Title	Part No.
Genie Superlift Parts Manual (from serial number 5594-101 to 5501-15094).....	32283

Copyright © 2011 by Terex Corporation

23550 Rev B September 2014
Second Edition, First Printing

Genie is a registered trademark of Terex South Dakota, Inc. in the USA and many other countries. "SL" is a trademark of Terex South Dakota, Inc.

 Printed on recycled paper

Genie
A TEREX BRAND
Terex South Dakota, Inc.
18340 NE 76th Street
Redmond, WA 98052 USA

Model Name: SL-XX
Serial Number: 0680-28278
Manufacture Date: 04/16/80
Electrical Schematic: N/A

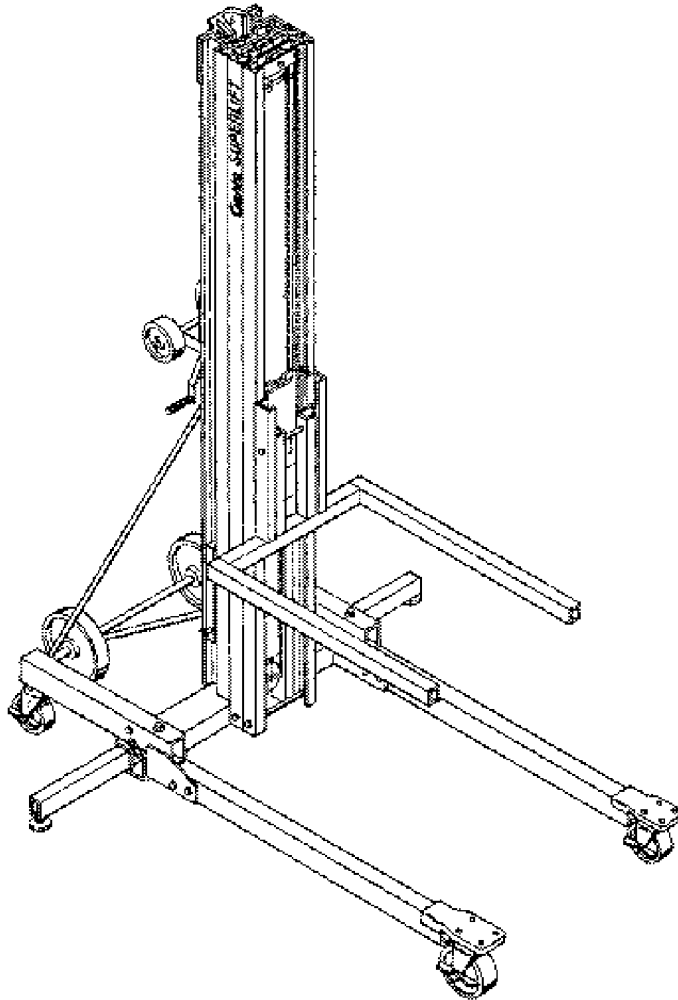
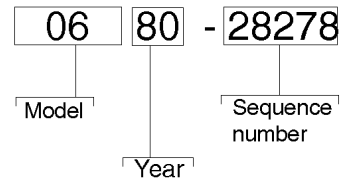



Table of Contents

This manual is updated frequently. If you have a printed manual, you can keep it up to date by downloading new figures from the Genie website at www.genielift.com. For the most up-to-date parts information, visit the Parts Lookup System on the Genie website at www.genielift.com.

How to Read Your Serial Number.....	3
Parts Stocking List.....	7
How to Order Parts.....	8
Service Parts Fax Order Form.....	9

Electronic Version

Click on any page number to view the figure.

100 Parts Figures

101.1 Overview.....	10
102.1 Base Assembly.....	12
103.1 Mast Assembly.....	14
104.1 Carriage Assembly.....	18
105.1 Heavy Duty Winch Assembly.....	20

Indices

Part Number Index.....	22
Part Description Index.....	23

Cross References

Fittings Cross Reference.....	26
-------------------------------	----

This Page Intentionally Left Blank

Required Parts

The following parts are required to perform maintenance procedures as outlined in the *Genie Superlift Advantage Service Manual*.

Description	Part No.
White Lithium Grease	91670
Cable Replacement Coupler	12402
Disc Brake	7571

Recommended Parts

Description	Part No.
Genie Blue Paint, 1 Gallon (3.78 liters)	32150
Genie Blue Paint, 12 Ounce Aerosol (355 ml)	1484
Genie Gray Paint, 1 Gallon (3.78 liters)	32151
Genie Gray Paint, 12 Ounce Aerosol (355 ml)	1268
Pinion Plate	7591
Ratchet Gear	6777
Pinion Gear	7590
Pinion Shaft	32891
Ratchet Pawl Kit	6291
Cable Keeper Kit	6190
Primary Shaft Assembly	72264
Cable Assembly (SL-12 models)	6099
Cable Assembly (SL-16 and 24 models)	7251
Cable Assembly (SLA-18 models)	7250
Pin Assembly	6114
Roller Bolt, 3/8-24 x 1.69 inches	21280
Nylatron Roller, 1.5 OD	21278
Loctite Thread Lock	65764

Manuals

Genie Industries offers the following support documents for these models:

Title	Part No.
Genie Superlift Operator's Manual	19477
Genie Superlift Service Manual	32283
EMI Safety Manual	27581
Manual of Responsibilities ANSI A92.5	31587

How To Order Parts

How to Order Parts

Please be prepared with the following information when ordering replacement parts for your Terex or Genie product.

- Machine model number
- Machine serial number
- Part number
- Part description and quantity
- Purchase order number
- "Ship to" address
- Desired method of shipment
- Name and telephone number of the authorized distributor in your area.

Use the Service Parts Fax Order Form on the next page and fax your order to our Parts Department.

If you don't know the name of your authorized distributor, or if your area is not currently serviced by an authorized distributor, please call Terex or Genie Industries.

Machine Information

Model

Serial Number

Date of Purchase

Authorized Genie Distributor

Phone Number

North America

Telephone (425)881-1800
 Toll Free (800)536-1800 in US and Canada
 Fax (425)556-8659
 Toll Free fax (888)274-6192
 Email AWP.PartsSalesPO@terex.com
<http://genielift.com/en>

EMEAR (Europe, Middle East, Africa and Russia)

Telephone (31)(165)519 313
 Fax (31)(165)511 148
<http://genielift.co.uk>

Asia Pacific (Genie Singapore)

Telephone +65 6692 7777
 Fax +65 6261 8893
<http://genielift.com.sg/>

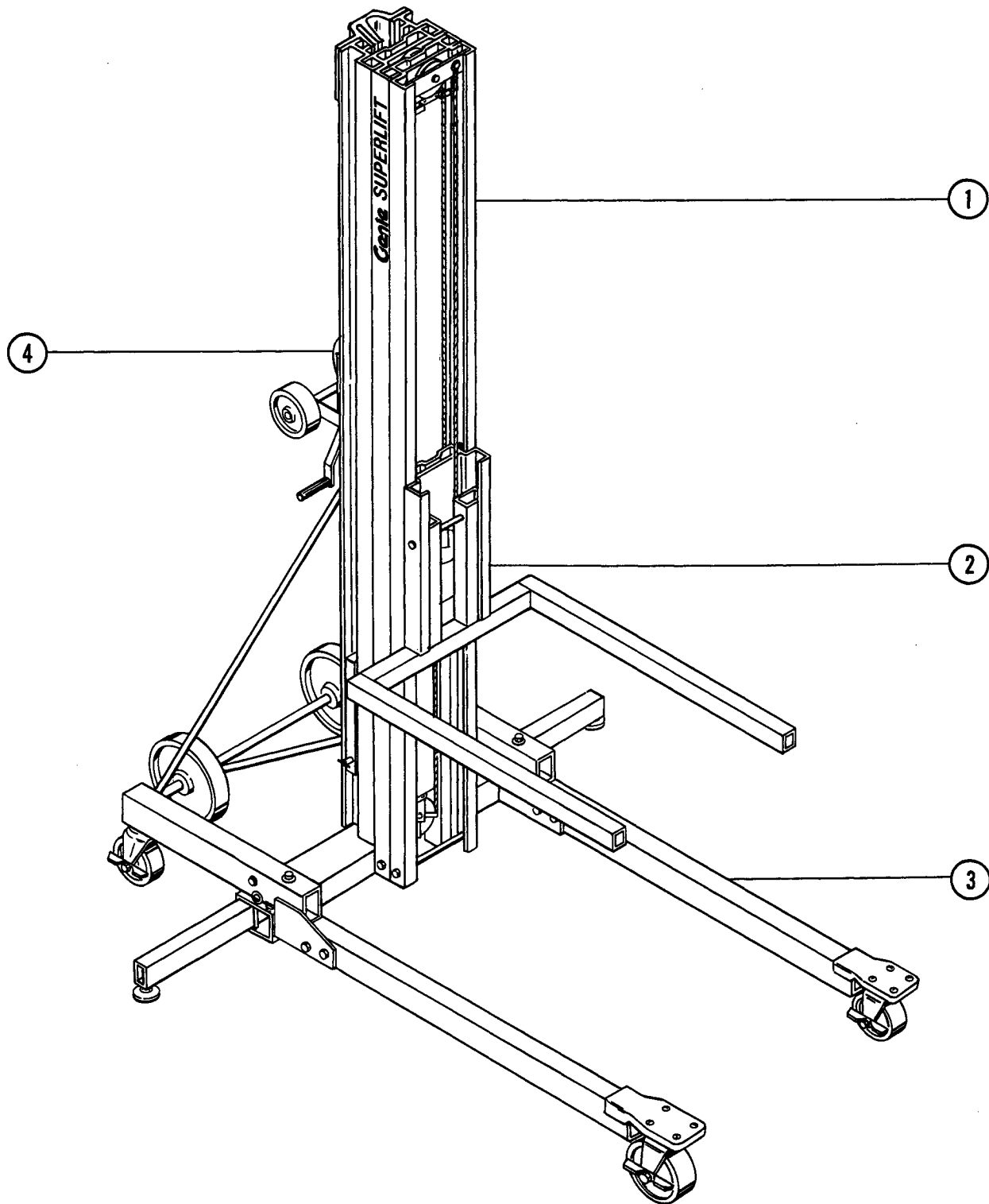
Australia

Telephone (61)(7)3456 4444
 Fax (61)(7)3456 4466
<http://genielift.com.au>

South America

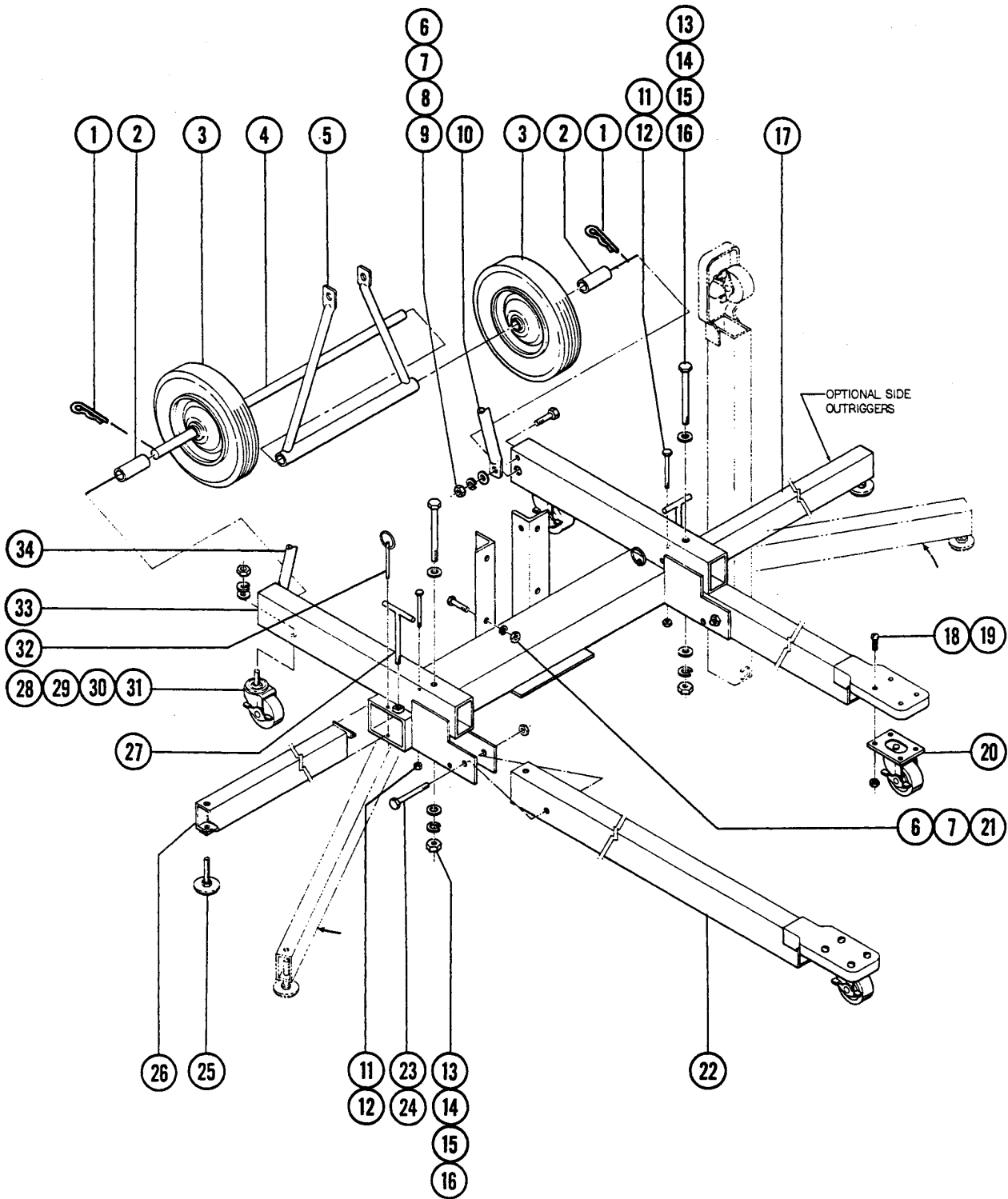
Telephone (55)(11)4082 5600
 Fax (55)(11)4082 5630

101.1 Overview



Item	Part No.	Description	Qty.
--	12273GT	DECAL KIT,SUPERLIFT PRE '94	
1		Mast Assembly, Figure 2.....	3
2		Carriage Assembly, Figure 3.....	7
3		Base Assembly, Figure 4.....	11
4		Winch Assembly, Figure 5.....	14

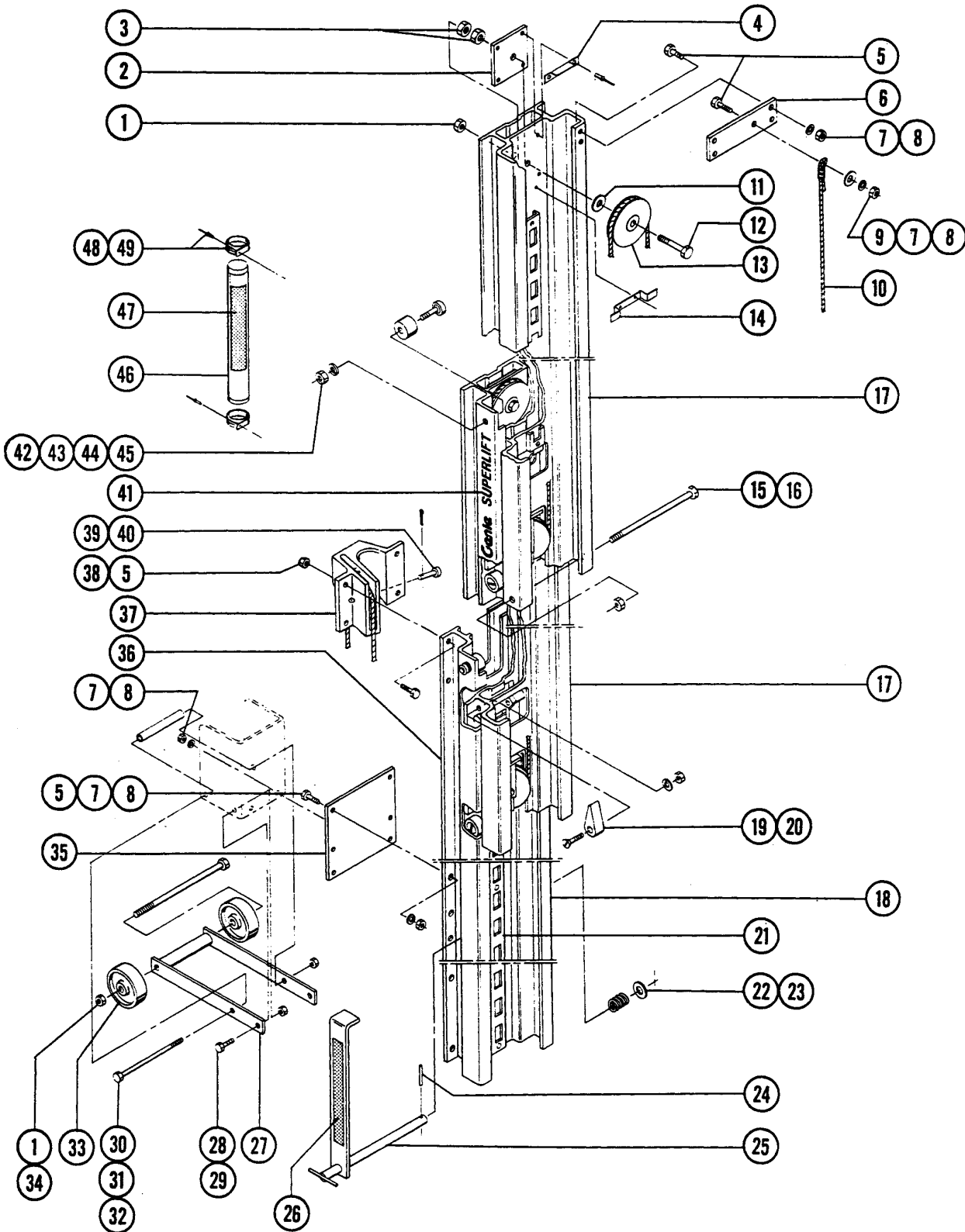
102.1 Base Assembly



102.1 Base Assembly

Item	Part No.	Description	Qty.	Item	Part No.	Description	Qty.
--	7249GT	BASE WELDMENT--SL24		33	15019GT	BASE WELDMENT-SL16.....1	1
1	21253GT	CLIP,HAIR PIN .125 X 2.....2	2	33	6003GT	BASE WELDMENT-SL12/18.....1	1
2	6205GT	CONDUIT-AXLE/WHEEL SPACER-3.5".....2	2	33	7249GT	BASE WELDMENT--SL24.....1	1
--	6038GT	NUT,HEX,5/16-18,GR8		34	6101GT	CONDUIT-39.375" MAST BRACE,RH.....1	1
3	35064GT	WHEEL,SOLID RUBBER,10X.75X2.75...2	2	34	6110GT	SIDE STABILIZER ACCESSORY-SL.....1 <i>Includes Index No. 11, 12, 17, 25, 26, 27, 32</i>	1
4	6031GT	AXLE, ROUND BAR, 27.06".....1	1	--	17713GT	CONDUIT-RH BRACE,SL16-33.875"	
5	7240PGT	AXLE BRACE WELD-SL12/18-PAINTD.....1	1				
5	7241PGT	AXLE BRACE WELD-SL24, PAINTED...1	1				
6	4828GT	NUT,NYLOCK,3/8-16.....10	10				
7	6021GT	WASHER,LOCK,.375.....10	10				
--	6295GT	FLATBAR-BASE SPACER,DRILLED-8".....2	2				
8	6097GT	WASHER,FLAT,USS,3/8",Y.....2	2				
9	6175GT	SCREW,HHC,3/8-16 X 1.....2	2				
10	6100GT	CONDUIT-39.375" MAST BRACE,LH....1	1				
--	17714GT	CONDUIT-LH BRACE,SL16-33.875"					
11	6115GT	SCREW,HHC,1/4-20 X 3.5.....2	2				
12	6091GT	NUT,NYLOCK,1/4-20.....2	2				
13	6025GT	SCREW,HHC,5/8-11 X 7.....2	2				
14	6035GT	WASHER,FLAT,USS,5/8",Y.....4	4				
15	6036GT	WASHER,LOCK,.625 PLTD.....2	2				
16	7263GT	NUT,HEX,5/8-11.....2	2				
17	7203PGT	OUTRIGGER WLDMNT-LH, SL, SIDE....1	1				
18	10107GT	SCREW,HHC,5/16-18 X .75.....8	8				
19	6002GT	NUT,LP NYLOCK,5/16-18.....8	8				
20	6109GT	CASTER,PL SW W/SB 4 X 1.25***.....2	2				
20	6519GT	CASTER, PL SW W/SB 5X1.25.....2	2				
21	6019GT	SCREW,HHC,3/8-16 X 1.25 GRD 5.....8	8				
22	15030GT	LEG WELDMENT-SL 16.....2	2				
22	6016-18GT	LEG WELDMENT SL 12, 18.....2	2				
22	6016-24GT	LEG WELDMENT SL 24.....2	2				
23	6023GT	SCREW,HHC,5/8-11 X 3.5.....2	2				
24	6024GT	NUT,NYLOCK,5/8-11.....2	2				
25	6116GT	LEVELER WELDMENT-SL.....2	2				
26	7204PGT	OUTRIGGER,WLDMNT,RH, SL, SIDE....1	1				
27	6112GT	T-BOLT,SL.....2	2				
28	17525GT	CASTER-PL,SWVL.LOC,W/SB-5 X 2....2	2				
28	6108GT	CASTER,POST SW W/SB 4 X 1.25.....2	2				
29	6095GT	WASHER,FLAT,USS,1/2",Y.....2	2				
30	6033GT	WASHER,LOCK,0.5".....2	2				
31	6034GT	NUT,HEX,JAM,1/2-13.....2	2				
32	6114GT	PIN,BALL RET-.25 X 3.5.....2	2				

103.1 Mast Assembly



103.1 Mast Assembly

Item	Part No.	Description	Qty.	Item	Part No.	Description	Qty.
--	35099GT	ROLLER KIT (OVERSIZE) <i>includes twenty rollers and all fasteners for installation</i>		17	15956GT	MAST SECTION,#2, SL-24.....1 1	
--	37501GT	ROLLER KIT(OVERSIZE) QTY 1 <i>one quantity of roller and all fasteners</i>		17	15958GT	MAST SECTION,#4, SL24.....1 1	
--	90337GT	BOE LUBE.....1 <i>aluminum dry lubricant</i>		17	15966GT	MAST SECTION,#2, SL/SB-12.....1 1	
1	6086GT	NUT,LP NYLOCK,1/2-13.....4		17	15967GT	MAST SECTION,#2, SL/SB-18.....1 1	
2		Pulley Back-Up Plate - SL-18.....2		17	15968GT	MAST SECTION,#3, SL/SB18.....1 1	
2	6077GT	PULLEY BACK-UP PLATE.....1		17	15969GT	MAST SECTION,#2, SL/SB-24.....1 1	
3	6034GT	NUT,HEX,JAM,1/2-13.....6		17	15970GT	MAST SECTION,#3, SL/SB-24.....1 1	
4		Top Cable Guard - SL-16 & SL-24.....3		17	15971GT	MAST SECTION,#4, SL/SB24.....1 1	
4	6712GT	CABLE GUARD, UPPER, TOP, ZINC....1		17	15973GT	MAST SECTION,#2,SL/SB12, BLACK....1 1	
5	6175GT	SCREW,HHC,3/8-16 X 1.....11		17	15975GT	MAST SECTION,#3, SL/SB18,BLACK....1 1	
6	7255GT	FLATBAR-CABLE ANCHOR-6.5".....1		17	15976GT	MAST ASSY #2,3 SL/SB/ST18/24.....1 1	
7	6021GT	WASHER,LOCK,,375.....11		17	15977GT	MAST SECTION,#3, SL/SB24,BLACK....1 1	
8	4828GT	NUT,NYLOCK,3/8-16.....11		17	15978GT	MAST SECTION,#4, SL/SB24,BLACK....1 1	
9	6097GT	WASHER,FLAT,USS,3/8",Y.....1		17	23681GT	MAST SECTION,#2, SL16.....1 1	
10	6099GT	CABLE ASSEMBLY SL 408".....1 <i>SL-12; Does not include cable replacement coupler</i>		17	23682GT	MAST SECTION,#3, SL-16.....1 1	
10	7250GT	CABLE ASSY SL/ST 588" 3/16"****.....1 <i>SL-18; Does not include cable replacement coupler</i>		17	23683GT	MAST SECTION,#4, SL-16.....1 1	
10	7251GT	CABLE ASSY SL/ST 756" 3/16"**** <i>SL-24, SL-16; Does not include cable replacement coupler</i>		17	23685GT	MAST SECTION,#2, SL/SB-16.....1 1	
10A	12402GT	CABLE REPLACEMENT COUPLER <i>Sold Separately</i>		17	23686GT	MAST SECTION,#3, SL/SB-16.....1 1	
10B	52701GT	VIDEO,NTSC,SLA,CABLING PROCDR <i>Sold Separately</i>		--	6137GT	COLUMN SPRING	
11	6095GT	WASHER,FLAT,USS,1/2",Y.....1		18	15023GT	MAST SECTION,#1-SL16-62".....1	
12	6096GT	SCREW,HHC,1/2-13 X 2 GR5.....1		18	15965GT	MAST SECTION,#1 SL/SB.....1	
13		Pulley with Bearing - SL-16 & SL-24.....7		18	15972GT	MAST SECTION,#1, SL/SB24,BLACK....1	
13	6074-PROGT	PULLEY W/BEARING.....3		18	23684GT	MAST SECTION,#1, SL/SB-16.....1	
14		Cable Guard - SL-16 & SL-24.....3		18	6797GT	MAST SECTION, SL #1.....1	
14	6280GT	CABLE GUARD, TOP, ZINC.....1					
--	6272GT	RIVET,STL,STL,P,.125 X .25					
15	6733GT	SCREW,HHC,1/2-13 X 8.....1					
16	6086GT	NUT,LP NYLOCK,1/2-13.....1					
17	15953GT	MAST SECTION,#2, SL-12.....1 1					
17	15954GT	MAST ASSY SL18# 2, SL 24# 3.....1 1					
17	15955GT	MAST SECTION,#3, SL-18.....1 1					

103.1 Mast Assembly
(continued)

Item	Part No.	Description	Qty.
19		Bolt, FHMS - SL-16 & SL-24.....	6
19	6063GT	OBS.SEE 17712(SCREW 3/8-16).....	2
20		Wedge Block - SL-16 & SL-24.....	6
20	7269GT	WEDGE BLOCK.....	2
21		Brake Channel - SL-18.....	3
21	6130PGT	SLOTTED CHANNEL-68.25" -(GRAY)....	2
--	7266GT	RIVET,STL,STL,P,.25 X .75	
22	6563GT	WASHER,SHIM,.75 X 1.125 X.030.....	3
23	7215GT	HOLD DOWN SPRING.....	1
24	6142GT	PIN,ROLL,.125 X 1.25.....	1
25	58103GT	HOLD DOWN ASSY W/DECAL..... <i>includes items 22-24 and 26</i>	1
26	7061GT	DECAL,HOLD DOWN BAR, YELLOW....	1
27	7516GT	ROLLER WHEEL WELDMENT-SL/MNM.....	1
27A	7515GT	ROLLER WHEEL ACC. SL / MNM..... <i>includes Index No. 27 thru 36 below</i>	1
28	6090GT	SCREW,HHC,1/4-20 X .75.....	2
29	6091GT	NUT,NYLOCK,1/4-20.....	2
30	7256GT	SCREW,HHC,5/16-18 X 6 GRD.2.....	1
31		FRAME SPACER,K-1550 (7584)..... <i>(not sold separately)</i>	1
32	6002GT	NUT,LP NYLOCK,5/16-18.....	1
33	6087GT	WHEEL,ROLLER- 3 X .5 X 1.28.....	2
34	9147GT	SCREW,HHC,1/2-13 X 9 GRD.5.....	1
35	6061PGT	WINCH MNT.PLATE WELD-PAINTED....	1
36	6773GT	DECAL,SL OPER.INSTR. PRE '94.....	1
37	6207GT	MAST HEAD PULLEY CASTING*****....	1
38	4828GT	NUT,NYLOCK,3/8-16.....	4
39		Pulley Axle Pin - SL-18.....	4
39	17747GT	PULLEY AXLE PIN-1.32 X .5,ZINC.....	3
40		Retaining Ring, 1/8 inch - SL-16 & SL-24.....	4
40	17748GT	RETAINING RING,EXTERNAL SHF-50.....	2
41	7443GT	DECAL,GENIE SUPERLIFT.....	2
42	6054GT	NUT,HEX,3/8-24.....	20
43	6097GT	WASHER,FLAT,USS,3/8",Y.....	20
44		Roller - SL-16 & SL-24.....	16
44	21278GT	ROLLER,NYLATRON 1.50 O.D.***.....	8
44A	31709GT	ROLLER KIT(SL,PLC,AWP1) QTY 16 <i>(includes sixteen each items)</i>	
45		Bolt, Roller - SL-18.....	12
45	21280GT	BOLT-ROLLER,3/8-24 X 1.69-ZINC.....	8
46	6600GT	INSTRUCT.TUBE W/CAPS-1.75 X 12.....	1
47	6602GT	DECAL,READ ENCLOSED INSTR.....	1

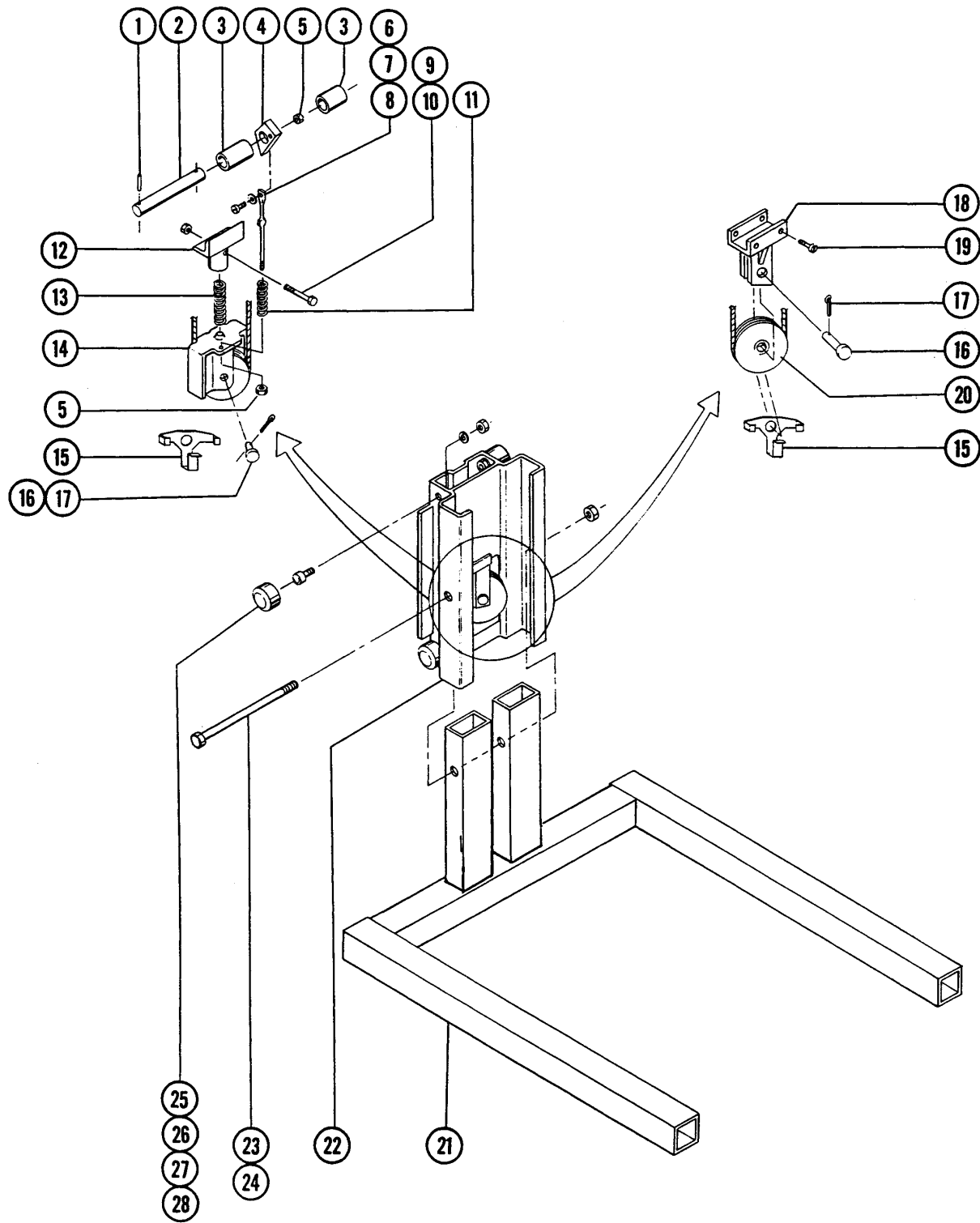
Item	Part No.	Description	Qty.
48	6653GT	CLAMP,1.88,#30 X 1/4,RUB CUSH.....	2
49	12273GT	DECAL KIT,SUPERLIFT PRE '94..... <i>includes Index No. 26, 37, 48 and 42</i>	1
49	6271GT	RIVET,STL,STL.MAN,P,.25 X .25.....	2

Footnotes

1: When ordering, please provide serial number.

This Page Intentionally Left Blank

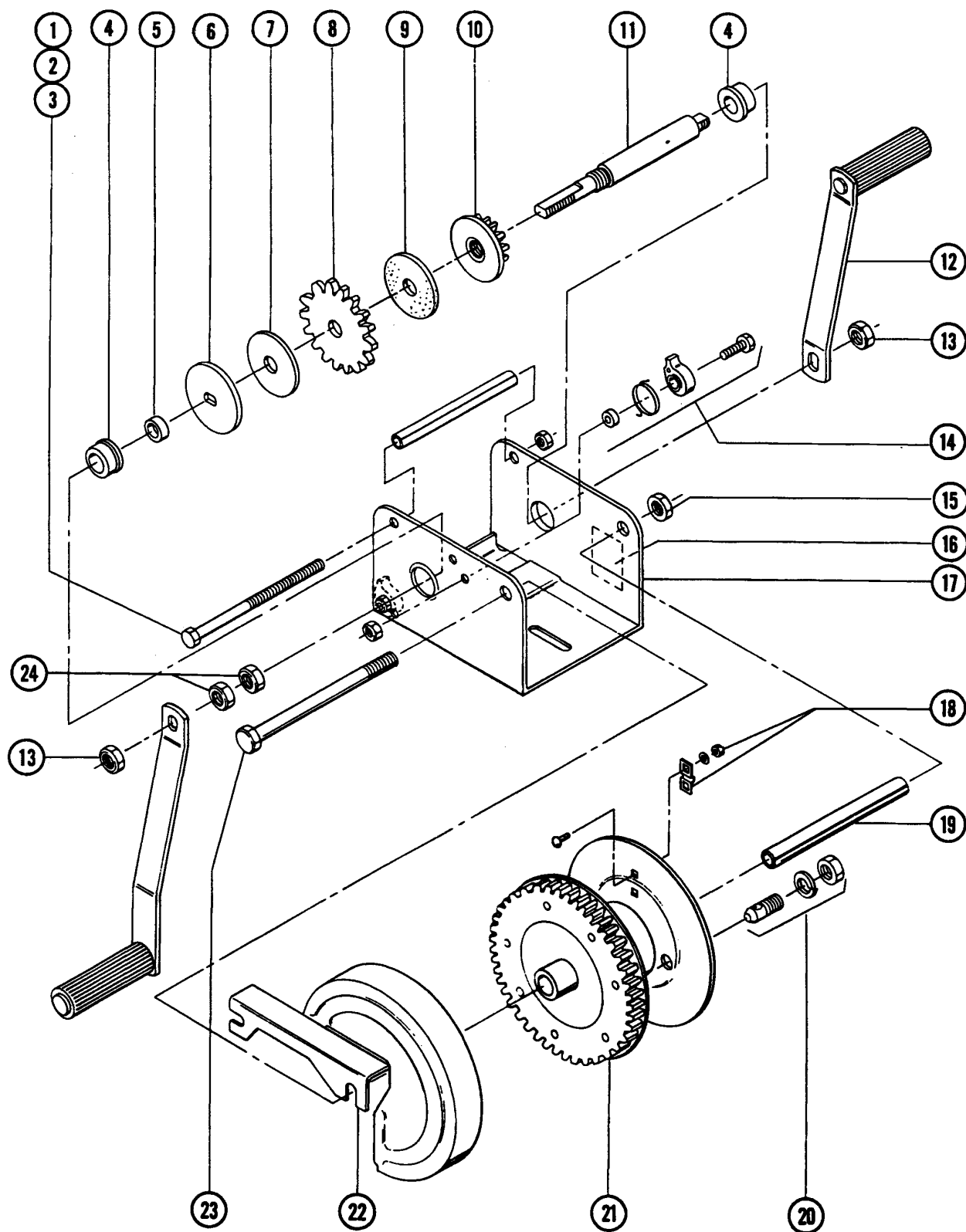
104.1 Carriage Assembly



104.1 Carriage Assembly

Item	Part No.	Description	Qty.	Item	Part No.	Description	Qty.
1		Roll Pin - 1/8 x 1 x 1-1/4 inch - SL-16 & SL-24.....	8	21	6748GT	FORK WELDMENT,SUPERLIFT,FIXED.....	1
1	6142GT	PIN,ROLL,125 X 1.25.....	4	22	14056GT	CARRIAGE SL/SB 12.5"..... <i>Safety Brake Models</i>	1
2		Catch Support Bar - SL-16 & SL-24.....	4	22	6753GT	CARRIAGE ASSEMBLY-SL STD.ALUM.....	1
2	6135ZGT	CATCH SUPT.BAR(2 HOLE)5.25,ZNC....	2	22	6754GT	CARRIAGE ASSY-SL/SB.....	1
3		Safety Brake Spacer - SL-18.....	6	22	6756GT	CARRIAGE, SL 12.5" STANDARD.....	1
3	6143GT	CONDUIT-SFTY.BRAKE SPACER-1.75.....	4	23	6733GT	SCREW,HHC,1/2-13 X 8.....	1
4		Safety Brake Catch - SL-18.....	3	24	6034GT	NUT,HEX,JAM,1/2-13.....	1
4	21448GT	BRAKE CATCH-INVESTMENT CAST....	2	25	21278GT	ROLLER,NYLATRON 1.50 O.D.***.....	4
5		Nut, Lock - 10-32 - SL-18.....	6	26	21280GT	BOLT-ROLLER,3/8-24 X 1.69-ZINC.....	4
5	6178GT	NUT,NYLOCK,10-32.....	4	27	6021GT	WASHER,LOCK,.375.....	20
6		Bolt, Round Head Machine Screw - SL-16 & SL-24.....	4	28	6054GT	NUT,HEX,3/8-24.....	20
6	6147GT	SCREW,RHM,10-32 X 1.....	2	29	5408GT	NUT,LP NYLOCK,3/8-24.....	4
7		Flat Washer, No. 10 - SL-18.....	3				
7	6146GT	WASHER,FLAT,MS,#10,Y.....	2				
8		Control Rod - SL-18.....	3				
8	6132GT	CONTROL ROD, ZINC.....	2				
9		Bolt, HHCS, 1/4 - 20 x 1-1/2 inch - SL-16 & SL-24.....	4				
9	6145GT	SCREW,HHC,1/4-20 X 1.5.....	2				
10		Nut, Lock - 1/4 - 20 - SL-16 & SL-24.....	6				
10	6091GT	NUT,NYLOCK,1/4-20.....	4				
11		Control Rod Spring - SL-16 & SL-24.....	4				
11	6133GT	CONTROL ROD SPRING.....	2				
12		Stop Bracket Weldment - SL-18.....	3				
12	6136GT	STOP BRACKET WELDMENT-S/B.....	2				
13		Mast Pulley Spring - SL-18.....	2				
13	6137GT	COLUMN SPRING.....	1				
13	6138GT	CARRIAGE SPRING.....	1				
14		Sliding Pulley Bracket - SL-18.....	2				
14	109766GT	SLIDING PULLEY***.....	1				
15		Cable Retainer Clip - SL-18.....	3				
15	6789GT	CABLE RETAINER CLIP--ZINC***.....	2				
16	17747GT	PULLEY AXLE PIN-1.32 X .5,ZINC.....	1				
17	17748GT	RETAINING RING,EXTERNAL SHF-50.....	1				
18		Pulley Bracket - SL-18.....	3				
18	6072GT	PULLEY BRACKET CASTING-DRILLED.....	2				
19		Bolt, FHMS, 10 - 32 x 1/2 inch - SL-18..	12				
19	6092GT	SCREW,MSF,10-32X.5.....	8				
20	6074-PROGT	PULLEY W/BEARING.....	1				

105.1 Heavy Duty Winch Assembly



105.1 Heavy Duty Winch Assembly

Item	Part No.	Description	Qty.	Item	Part No.	Description	Qty.
--		SERVICE KIT,PINION SHAFT-K1550 (1256081) <i>(component no longer available)</i>		--		WINCH BRACKET, DRUM BOLT LOCK (31946).....	1
--	1256083GT	SVC KIT, FRICTION DISC K/KX <i>includes qty 2 of item 9</i>		24	6034GT	NUT,HEX,JAM,1/2-13.....	2
--	7504GT	WINCH ASSEMBLY-SL/M9.5 MAST SL-12					
--	7505GT	WINCH ASSY (OLD STYLE SL/ST) SL-16 and up.					
--	7557GT	RETRO FIT KIT, FULTON WINCH <i>includes index numbers 4 - 13, 24</i>					
1	7256GT	SCREW,HHC,5/16-18 X 6 GRD.2.....	1				
2		FRAME SPACER,K-1550 (7584)..... <i>(component no longer available)</i>	1				
3	12012GT	NUT,LOCK,3/8-16.....	1				
4		BUSHING, SMALL PINION, FULTON (6199).....	2				
5		WINCH, PINION SPACER,SM,KX1550 (7598).....	1				
6		WINCH PINION PLATE, K-1550 (7591).....	1				
7		BRAKE DISK,POLY,.5 BORE,K-1550..... <i>(component no longer available)</i>	1				
8		RATCHET GEAR,K-1550 1/2" I.D. (6777).....	1				
9		BRAKE DISK,.5 BORE,K-1550 (7571)....	1				
10		PINION GEAR AND DISC K-1550 (7590).....	1				
11		WINCH PINION SHAFT, K-1550 (7588)..... <i>(component no longer available)</i>	1				
12	16344GT	WINCH HANDLE-O.A.LENGTH-6.25".....	2				
12	33144GT	WINCH HANDLE 8" STD.**.....	2				
13	6086GT	NUT,LP NYLOCK,1/2-13.....	2				
14	6291GT	RATCHET KIT (K-1500,K-1550)**..... <i>includes: Pawl, Spring and Fasteners</i>	2				
15	6086GT	NUT,LP NYLOCK,1/2-13.....	1				
16	6787GT	DECAL,WINCH LUBE INST.....	1				
17		Ref. Winch Housing..... <i>(not available as a service part)</i>	1				
18	6190GT	CABLE KEEP.KIT (BRACKET TYPE)*..... <i>includes: Keeper Clip and Fasteners</i>	1				
19	6184GT	SPACER, DRUM BOLT, K-1550.....	1				
20	9134GT	CABLE KEEP.KIT (THREADED STUD).....	1				
21		Ref. Drum Assembly..... <i>(not available as a service part)</i>	1				
22	6770GT	WINCH GEAR COVERS, K-1500.....	1				
23	6185GT	BOLT, DRUM SPACER.....	1				

Part Number Index

The Part Number Index is a numeric index of all part numbers included in this manual. The index shows what page(s) the part is used on.

Part Number	Page	Part Number	Page	Part Number	Page
10107GT	13	6087GT	16	7516GT	16
109766GT	19	6090GT	16	7557GT	21
12012GT	21	6091GT	13, 16, 19	90337GT	15-16
12273GT	11, 16	6092GT	19	9134GT	21
12402GT	15-16	6095GT	13, 15-16	9147GT	16
1256083GT	21	6096GT	15-16		
14056GT	19	6097GT	13, 15-16		
15019GT	13	6099GT	15-16		
15023GT	15-16	6100GT	13		
15030GT	13	6101GT	13		
15953GT	15-16	6108GT	13		
15954GT	15-16	6109GT	13		
15955GT	15-16	6110GT	13		
15956GT	15-16	6112GT	13		
15958GT	15-16	6114GT	13		
15965GT	15-16	6115GT	13		
15966GT	15-16	6116GT	13		
15967GT	15-16	6130PGT	16		
15968GT	15-16	6132GT	19		
15969GT	15-16	6133GT	19		
15970GT	15-16	6135ZGT	19		
15971GT	15-16	6136GT	19		
15972GT	15-16	6137GT	15-16, 19		
15973GT	15-16	6138GT	19		
15975GT	15-16	6142GT	16, 19		
15976GT	15-16	6143GT	19		
15977GT	15-16	6145GT	19		
15978GT	15-16	6146GT	19		
16344GT	21	6147GT	19		
17525GT	13	6175GT	13, 15-16		
17713GT	13	6178GT	19		
17714GT	13	6184GT	21		
17747GT	16, 19	6185GT	21		
17748GT	16, 19	6190GT	21		
21253GT	13	6205GT	13		
21278GT	16, 19	6207GT	16		
21280GT	16, 19	6271GT	16		
21448GT	19	6272GT	15-16		
23681GT	15-16	6280GT	15-16		
23682GT	15-16	6291GT	21		
23683GT	15-16	6295GT	13		
23684GT	15-16	6519GT	13		
23685GT	15-16	6563GT	16		
23686GT	15-16	6600GT	16		
31709GT	16	6602GT	16		
33144GT	21	6653GT	16		
35064GT	13	6712GT	15-16		
35099GT	15-16	6733GT	15-16, 19		
37501GT	15-16	6748GT	19		
4828GT	13, 15-16	6753GT	19		
52701GT	15-16	6754GT	19		
5408GT	19	6756GT	19		
58103GT	16	6770GT	21		
6002GT	13, 16	6773GT	16		
6003GT	13	6787GT	21		
6016-18GT	13	6789GT	19		
6016-24GT	13	6797GT	15-16		
6019GT	13	7061GT	16		
6021GT	13, 15-16, 19	7203PGT	13		
6023GT	13	7204PGT	13		
6024GT	13	7215GT	16		
6025GT	13	7240PGT	13		
6031GT	13	7241PGT	13		
6033GT	13	7249GT	13		
6034GT	13, 15-16, 19, 21	7250GT	15-16		
6035GT	13	7251GT	15-16		
6036GT	13	7255GT	15-16		
6038GT	13	7256GT	16, 21		
6054GT	16, 19	7263GT	13		
6061PGT	16	7266GT	16		
6063GT	16	7269GT	16		
6072GT	19	7443GT	16		
6074-PROGT	15-16, 19	7504GT	21		
6077GT	15-16	7505GT	21		
6086GT	15-16, 21	7515GT	16		

The Part Description Index is an alphabetical index of all part descriptions included in this manual. The index shows what page(s) the part is used on.

A

AXLE BRACE WELD-SL12/18-PAINTD.....13
 AXLE BRACE WELD-SL24, PAINTED.....13
 AXLE, ROUND BAR, 27.06".....13

B

Base Assembly, Figure 4.....11
 BASE WELDMENT-SL24.....13
 BASE WELDMENT-SL12/18.....13
 BASE WELDMENT-SL16.....13
 BOE LUBE.....15-16
 BOLT, DRUM SPACER.....21
 Bolt, FHMS - SL-16 & SL-24.....16
 Bolt, FHMS, 10 - 32 x 1/2 inch - SL-18.....19
 Bolt, HHCS, 1/4 - 20 x 1-1/2 inch - SL-16 & SL-24.....19
 Bolt, Roller - SL-18.....16
 Bolt, Round Head Machine Screw - SL-16 & SL-24.....19
 BOLT-ROLLER,3/8-24 X 1.69-ZINC.....16, 19
 BRAKE CATCH-INVESTMENT CAST.....19
 Brake Channel - SL-18.....16
 BRAKE DISK,.5 BORE,K-1550 (7571).....21
 BRAKE DISK,POLY,.5 BORE,K-1550.....21
 BUSHING, SMALL PINION, FULTON (6199).....21

C

CABLE ASSEMBLY SL 408".....15-16
 CABLE ASSY SL/ST 588" 3/16"****.....15-16
 CABLE ASSY SL/ST 756" 3/16"****.....15-16
 Cable Guard - SL-16 & SL-24.....15-16
 CABLE GUARD, UPPER, TOP, ZINC.....15-16
 CABLE GUARD, TOP, ZINC.....15-16
 CABLE KEEP.KIT (BRACKET TYPE)*.....21
 CABLE KEEP.KIT (THREADED STUD).....21
 CABLE REPLACEMENT COUPLER.....15-16
 Cable Retainer Clip - SL-18.....19
 CABLE RETAINER CLIP--ZINC**.....19
 Carriage Assembly, Figure 3.....11
 CARRIAGE ASSEMBLY-SL STD.ALUM.....19
 CARRIAGE ASSY-SL/SB.....19
 CARRIAGE SL/SB 12.5".....19
 CARRIAGE SPRING.....19
 CARRIAGE, SL 12.5" STANDARD.....19
 CASTER, PL SW W/SB 5X1.25.....13
 CASTER, PL SW W/SB 4 X 1.25***.....13
 CASTER, POST SW W/SB 4 X 1.25.....13
 CASTER-PL, SWVL, LOC, W/SB-5 X 2.....13
 Catch Support Bar - SL-16 & SL-24.....19
 CATCH SUPT.BAR(2 HOLE)5.25,ZNC.....19
 CLAMP,1.88,#30 X 1/4,RUB CUSH.....16
 CLIP,HAIR PIN .125 X 2.....13
 COLUMN SPRING.....15-16, 19
 CONDUIT-39.375" MAST BRACE,LH.....13
 CONDUIT-39.375" MAST BRACE,RH.....13
 CONDUIT-AXLE/WHEEL SPACER-3.5".....13
 CONDUIT-LH BRACE,SL16-33.875".....13
 CONDUIT-RH BRACE,SL16-33.875".....13
 CONDUIT-SFTY.BRAKE SPACER-1.75.....19
 Control Rod - SL-18.....19
 CONTROL ROD SPRING.....19
 Control Rod Spring - SL-16 & SL-24.....19
 CONTROL ROD, ZINC.....19

D

DECAL KIT,SUPERLIFT PRE '94.....11, 16
 DECAL,GENIE SUPERLIFT.....16
 DECAL,HOLD DOWN BAR, YELLOW.....16
 DECAL,READ ENCLOSED INSTR.....16
 DECAL,SL OPER.INSTR. PRE '94.....16
 DECAL,WINCH LUBE INST.....21

F

Flat Washer, No. 10 - SL-18.....19
 FLATBAR-BASE SPACER,DRILLED-8".....13
 FLATBAR-CABLE ANCHOR-6.5".....15-16
 FORK WELDMENT,SUPERLIFT,FIXED.....19
 FRAME SPACER,K-1550 (7584).....16, 21

H

HOLD DOWN ASSY W/DECAL.....16
 HOLD DOWN SPRING.....16

I

INSTRUCT.TUBE W/CAPS-1.75 X 12.....16

L

LEG WELDMENT SL 12, 18.....13
 LEG WELDMENT SL 24.....13
 LEG WELDMENT-SL 16.....13
 LEVELER WELDMENT-SL.....13

M

Mast Assembly, Figure 2.....11
 MAST ASSY #2,3 SL/SB/ST18/24.....15-16
 MAST ASSY SL18# 2, SL 24# 3.....15-16
 MAST HEAD PULLEY CASTING*****.....16
 Mast Pulley Spring - SL-18.....19
 MAST SECTION, SL #1.....15-16
 MAST SECTION,#1 SL/SB.....15-16
 MAST SECTION,#1, SL/SB-16.....15-16
 MAST SECTION,#1, SL/SB24,BLACK.....15-16
 MAST SECTION,#1-SL16-62".....15-16
 MAST SECTION,#2, SL-12.....15-16
 MAST SECTION,#2, SL-24.....15-16
 MAST SECTION,#2, SL/SB-12.....15-16
 MAST SECTION,#2, SL/SB-16.....15-16
 MAST SECTION,#2, SL/SB-18.....15-16
 MAST SECTION,#2, SL/SB-24.....15-16
 MAST SECTION,#2, SL16.....15-16
 MAST SECTION,#2,SL/SB12, BLACK.....15-16
 MAST SECTION,#3, SL-16.....15-16
 MAST SECTION,#3, SL-18.....15-16
 MAST SECTION,#3, SL/SB-16.....15-16
 MAST SECTION,#3, SL/SB-24.....15-16
 MAST SECTION,#3, SL/SB18.....15-16
 MAST SECTION,#3, SL/SB18,BLACK.....15-16
 MAST SECTION,#3, SL/SB24,BLACK.....15-16
 MAST SECTION,#4, SL-16.....15-16
 MAST SECTION,#4, SL/SB24.....15-16
 MAST SECTION,#4, SL/SB24,BLACK.....15-16
 MAST SECTION,#4, SL24.....15-16

N

Nut, Lock - 1/4 - 20 - SL-16 & SL-24.....19
 Nut, Lock - 10-32 - SL-18.....19

NUT,HEX,3/8-24.....16, 19
 NUT,HEX,5/16-18,GR8.....13
 NUT,HEX,5/8-11.....13
 NUT,HEX,JAM,1/2-13.....13, 15-16, 19, 21
 NUT,LOCK,3/8-16.....21
 NUT,LP NYLOCK,1/2-13.....15-16, 21
 NUT,LP NYLOCK,3/8-24.....19
 NUT,LP NYLOCK,5/16-18.....13, 16
 NUT,NYLOCK,1/4-20.....13, 16, 19
 NUT,NYLOCK,10-32.....19
 NUT,NYLOCK,3/8-16.....13, 15-16
 NUT,NYLOCK,5/8-11.....13

O

OBS.SEE 17712(SCREW 3/8-16).....16
 OUTRIGGER WLDMNT-LH, SL, SIDE.....13
 OUTRIGGER,WLDMNT,RH, SL, SIDE.....13

P

PIN,BALL RET.-.25 X 3.5.....13
 PIN,ROLL,.125 X 1.25.....16, 19
 PINION GEAR AND DISC K-1550 (7590).....21
 Pulley Axle Pin - SL-18.....16
 PULLEY AXLE PIN-1.32 X .5,ZINC.....16, 19
 PULLEY BACK-UP PLATE.....15-16
 Pulley Back-Up Plate - SL-18.....15-16
 Pulley Bracket - SL-18.....19
 PULLEY BRACKET CASTING-DRILLED.....19
 PULLEY W/BEARING.....15-16, 19
 Pulley with Bearing - SL-16 & SL-24.....15-16

R

RATCHET GEAR,K-1550 1/2" I.D. (6777).....21
 RATCHET KIT (K-1500,K-1550)**.....21
 Retaining Ring, 1/8 inch - SL-16 & SL-24.....16
 RETAINING RING,EXTERNAL SHF-50.....16, 19
 RETRO FIT KIT, FULTON WINCH.....21
 RIVET,STL,STL,P,.125 X .25.....15-16
 RIVET,STL,STL,P,.25 X .75.....16
 RIVET,STL,STL,MAN,P,.25 X .25.....16
 Roll Pin - 1/8 x 1 x 1-1/4 inch - SL-16 & SL-24.....19
 Roller - SL-16 & SL-24.....16
 ROLLER KIT (OVERSIZE).....15-16
 ROLLER KIT(OVERSIZE) QTY 1.....15-16
 ROLLER KIT(SL,PLC,AWP1) QTY 16.....16
 ROLLER WHEEL ACC. SL / MNM.....16
 ROLLER WHEEL WELDMENT-SL/MNM.....16
 ROLLER,NYLATRON 1.50 O.D.***.....16, 19

S

Safety Brake Catch - SL-18.....19
 Safety Brake Spacer - SL-18.....19
 SCREW,HHC,1/2-13 X 2 GR5.....15-16
 SCREW,HHC,1/2-13 X 8.....15-16, 19
 SCREW,HHC,1/2-13 X 9 GRD.5.....16
 SCREW,HHC,1/4-20 X .75.....16
 SCREW,HHC,1/4-20 X 1.5.....19
 SCREW,HHC,1/4-20 X 3.5.....13
 SCREW,HHC,3/8-16 X 1.....13, 15-16
 SCREW,HHC,3/8-16 X 1.25 GRD 5.....13
 SCREW,HHC,5/16-18 X .75.....13
 SCREW,HHC,5/16-18 X 6 GRD.2.....16, 21
 SCREW,HHC,5/8-11 X 3.5.....13

Part Description Index (continued)

SCREW,HHC,5/8-11 X 7.....13
 SCREW,MSF,10-32X.5.....19
 SCREW,RHM,10-32 X 1.....19
 SERVICE KIT,PINION SHAFT-K1550
 (1256081).....21
 SIDE STABILIZER ACCESSORY-SL.....13
 Sliding Pulley Bracket - SL-18.....19
 SLIDING PULLEY***.....19
 SLOTTED CHANNEL-68.25" -(GRAY).....16
 SPACER, DRUM BOLT, K-1550.....21
 Stop Bracket Weldment - SL-18.....19
 STOP BRACKET WELDMENT-S/B.....19
 SVC KIT, FRICTION DISC K/KX.....21

T

T-BOLT,SL.....13
 Top Cable Guard - SL-16 & SL-24.....15-16

V

VIDEO,NTSC,SLA,CABLING PROCDR.....15-
 16

W

WASHER,FLAT,MS,#10,Y.....19
 WASHER,FLAT,USS,1/2",Y.....13, 15-16
 WASHER,FLAT,USS,3/8",Y.....13, 15-16
 WASHER,FLAT,USS,5/8",Y.....13
 WASHER,LOCK,.375.....13, 15-16, 19
 WASHER,LOCK,.625 PLTD.....13
 WASHER,LOCK,0.5".....13
 WASHER,SHIM,.75 X 1.125 X.030.....16
 WEDGE BLOCK.....16
 Wedge Block - SL-16 & SL-24.....16
 WHEEL,ROLLER- 3 X .5 X 1.28.....16
 WHEEL,SOLID RUBBER,10X.75X2.75.....13
 Winch Assembly, Figure 5.....11
 WINCH ASSEMBLY-SL/M9.5 MAST.....21
 WINCH ASSY (OLD STYLE SL/ST).....21
 WINCH BRACKET, DRUM BOLT LOCK
 (31946).....21
 WINCH GEAR COVERS, K-1500.....21
 WINCH HANDLE 8" STD.**.....21
 WINCH HANDLE-O.A.LENGTH-6.25".....21
 WINCH MNT.PLATE WELD-PAINTED.....16
 WINCH PINION PLATE, K-1550 (7591).....21
 WINCH PINION SHAFT, K-1550 (7588).....21
 WINCH, PINION SPACER,SM,KX1550
 (7598).....21

This Page Intentionally Left Blank

Fitting Cross References

Genie PN	Parker PN	Description	Genie PN	Parker PN	Description
12342	6-4 F5OX-S	CONNECTOR,STRAIGHT THREAD TO FLARE TUBE	42794	1 CR-S	ELBOW,90°,MALE PIPE
13757	4 R6X-S	RUN TEE,SWIVEL NUT,ORFS	42795	BV-0839	BALL VALVE
19685	12-10 C5OX-S	ELBOW,90°,STRAIGHT THREAD TO FLARE TUBE	42796	BV-0838	BALL VALVE
22664	12-10 C5OX	ELBOW,90°,STRAIGHT THREAD TO FLARE TUBE	42874	6-8 CLO-S	ELBOW,90°,MALE PIPE TO ORFS
27431	8-12 F5OX-S	CONNECTOR,STRAIGHT THREAD TO FLARE TUBE	42912	13943-6-4	HOSE END,90° FEMALE SWIVEL,JIC
28678	AS-B-33	SLEEVE,NYLON,1.81" ID	42920	BV-0840	BALL VALVE,90°
39871	6 WETX-WLN-S	UNION,90° BULKHEAD W/NUT,FLARE TUBE	42932	AS-B-17	SLEEVE,NYLON,1.22" ID
39872	4 R5OX-S	RUN TEE,STRAIGHT THREAD	42936	10243-2-4	HOSE END,FEMALE PIPE
39873	6 C5OX-S	ELBOW,90°,STRAIGHT THREAD TO FLARE TUBE	42953	1/2 DD-S	ELBOW,90°,FEMALE PIPE
39874	8-6 C5OX-S	ELBOW,90°,STRAIGHT THREAD TO FLARE TUBE	42956	6 WELO-WLNL-S	UNION,90° BULKHEAD W/NUT,ORFS
39875	4-6 C5OX-S	ELBOW,90°,STRAIGHT THREAD TO FLARE TUBE	45349	8 V5OX-S	ELBOW,45°,STRAIGHT THREAD TO FLARE TUBE
39876	6-8 C5OX-S	ELBOW,90°,STRAIGHT THREAD TO FLARE TUBE	45351	4 V5OX-S	ELBOW,45°,STRAIGHT THREAD TO FLARE TUBE
39877	4 F5OX-S	CONNECTOR,STRAIGHT THREAD TO FLARE TUBE	47223	10343-6-6	HOSE END,MALE,JIC
39878	6 F5OX-S	CONNECTOR,STRAIGHT THREAD TO FLARE TUBE	47419	PS690503-6-6	SWIVEL,90°,STRAIGHT THREAD TO 37° FLARE
39879	4-8 F5OX-S	CONNECTOR,STRAIGHT THREAD TO FLARE TUBE	48750	421-4	HOSE,1/4 INCH ID
39880	6-10 F5OX-S	CONNECTOR,STRAIGHT THREAD TO FLARE TUBE	48751	481TC-4	HOSE,1/4 INCH ID
39881	4-6 F5OX-S	CONNECTOR,STRAIGHT THREAD TO FLARE TUBE	48752	482TC-4	HOSE,1/4 INCH ID
39882	4-HP5ON-S	PLUG,STRAIGHT THREAD	48753	451TC-6	HOSE,3/8 INCH ID
39883	8-8 FTX-S	CONNECTOR,MALE PIPE TO FLARE TUBE	48754	482TC-6	HOSE,3/8 INCH ID
39885	269HB 12-12	ELBOW,90°,BEADED HOSE BARB TO MALE PIPE	48755	381-6	HOSE,3/8 INCH ID
39886	431-6	HOSE,3/8 INCH ID	48756	451TC-8	HOSE,1/2 INCH ID
39887	540N-2	HOSE,1/8 INCH ID	48757	482TC-8	HOSE,1/2 INCH ID
39888	801-8	HOSE,1/2 INCH ID	48758	381-8	HOSE,1/2 INCH ID
39889	801-12	HOSE,3/4 INCH ID	48759	381-10	HOSE,5/8 INCH ID
39890	10643-6-6	HOSE END,FEMALE SWIVEL,JIC	48760	451TC-10	HOSE,5/8 INCH ID
39891	13943-6-6	HOSE END,90° FEMALE SWIVEL,JIC	48761	482TC-12	HOSE,3/4 INCH ID
39892	13743-6-6	HOSE END,45° FEMALE SWIVEL,JIC	48762	451TC-12	HOSE,3/4 INCH ID
39894	30682-8-8	HOSE END,FEMALE SWIVEL,JIC	48763	772-12	HOSE,3/4 INCH ID
39895	30682-10-12	HOSE END,FEMALE SWIVEL,JIC	48764	881-16	HOSE,1 INCH ID
42286	8-8 CTX-S	ELBOW,90°,MALE PIPE TO FLARE TUBE	48765	772-16	HOSE,1 INCH ID
42756	8-12 CLO-S	ELBOW,90,MALE PIPE TO ORFS	48766	AS-B-15	SLEEVE,NYLON,1.06" ID
42757	8-12 FLO-S	CONNECTOR,MALE PIPE TO ORFS	48767	AS-B-22	SLEEVE,NYLON,1.42" ID
42758	4 JLO-S	UNION TEE,ORFS	48770	881-8	HOSE,1/2 INCH ID
42759	4-4 FLO-S	CONNECTOR,MALE PIPE TO ORFS			
42760	6-8 FLO-S	CONNECTOR,MALE PIPE TO ORFS			
42761	1J143-6-4	HOSE END,90° FEMALE SWIVEL,SEAL LOK			
42762	1J743-6-4	HOSE END,45° FEMALE SWIVEL,SEAL LOK			
42768	1JO43-4-4	HOSE END,MALE,SEAL LOK			
42776	601-8	HOSE,1/2 INCH ID			
42777	1J743-16-16	HOSE END,45° FEMALE SWIVEL,SEAL LOK			
42786	16 CLO-S	ELBOW,90°,MALE PIPE TO ORFS			
42787	16 R6LO-S	RUN TEE,SWIVEL NUT,ORFS			
42788	16-8 TRLO-BL-S	REDUCER,TUBE END TO SWIVEL,ORFS			
42789	6-6 CLO-S	ELBOW,90°,MALE PIPE TO ORFS			
42790	8-10 V5OLO-S	ELBOW,45°,STRAIGHT THREAD TO ORFS			
42791	3/4 CD-S	ELBOW,90°,MALE TO FEMALE PIPE			
42792	3/4 X 1/2 PTR-S	REDUCER,MALE TO FEMALE PIPE			
42793	1/2 CR-S	ELBOW,90°,MALE PIPE			

Fitting Cross References (Continued)

Genie PN	Parker PN	Description	Genie PN	Parker PN	Description
48771	881-10	HOSE,5/8 INCH ID	48847	13943-12-12	HOSE END,90° FEMALE SWIVEL,JIC
48772	381-4	HOSE,1/4 INCH ID	48848	10543-12-12	HOSE END,MALE,STRAIGHT THREAD
48773	AS-B-13	SLEEVE,NYLON,.86" ID	48849	1JC71-12-12	HOSE END,FEMALE SWIVEL,SEAL LOK
48800	1JC43-4-4	HOSE END,FEMALE SWIVEL,SEAL LOK	48850	1JS71-12-12	HOSE END,FEMALE SWIVEL,SEAL LOK
48801	1J743-4-4	HOSE END,45° FEMALE SWIVEL,SEAL LOK	48851	1J171-12-12	HOSE END,90° FEMALE SWIVEL,SEAL LOK
48802	1J943-4-4	HOSE END,90° FEMALE SWIVEL,SEAL LOK	48852	1J771-12-12	HOSE END,45° FEMALE SWIVEL,SEAL LOK
48804	1JM43-4-4	HOSE END,MALE,SEAL LOK, NO O-RING	48853	1J971-12-12	HOSE END,90° FEMALE SWIVEL,SEAL LOK
48805	10643-4-4	HOSE END,FEMALE SWIVEL,JIC	48854	1JC43-16-16	HOSE END,FEMALE SWIVEL,SEAL LOK
48806	13943-4-4	HOSE END,90° FEMALE SWIVEL,JIC	48855	1J943-16-16	HOSE END,90° FEMALE SWIVEL,SEAL LOK
48807	1JS43-4-4	HOSE END,FEMALE SWIVEL,SEAL LOK	48856	1J171-16-16	HOSE END,90° FEMALE SWIVEL,SEAL LOK
48808	3JC82-8-8	HOSE END,FEMALE SWIVEL,SEAL LOK	48857	1J971-16-16	HOSE END,90° FEMALE SWIVEL,SEAL LOK
48809	3JC82-12-12	HOSE END,FEMALE SWIVEL,SEAL LOK	48859	1JS43-8-4	HOSE END,FEMALE SWIVEL,SEAL LOK
48810	1JC43-6-4	HOSE END,FEMALE SWIVEL,SEAL LOK	48867	PD36BTL	DIAGNOSTIC NIPPLE,SEAL-LOK SWIVEL
48811	1J943-6-4	HOSE END,90° FEMALE SWIVEL,SEAL LOK	48873	6 PNLO-S	PLUG,TUBE END,ORFS
48812	1JC43-6-6	HOSE END,FEMALE SWIVEL,SEAL LOK	48874	6 PNTX-S	PLUG,FLARE TUBE
48813	1J143-6-6	HOSE END,90° FEMALE SWIVEL,SEAL LOK	48875	6 R6LO-S	RUN TEE,SWIVEL NUT,ORFS
48814	1J543-6-6	HOSE END,90° FEMALE SWIVEL,SEAL LOK	48877	4 F5OLO-SW/.025	CONNECTOR,STRAIGHT THREAD TO ORFS, W/.025 ORI
48815	1J743-6-6	HOSE END,45° FEMALE SWIVEL,SEAL LOK	48878	16-12 C5OLO-S	ELBOW,90°,STRAIGHT THREAD TO ORFS
48816	1J943-6-6	HOSE END,90° FEMALE SWIVEL,SEAL LOK	48879	8 C6LO-S	ELBOW,90°,SWIVEL NUT ORFS
48817	1JS43-6-8	HOSE END,FEMALE SWIVEL,SEAL LOK	48880	PD6-285	CAP,DIAGNOSTIC NIPPLE
48818	1J943-8-4	HOSE END,90° FEMALE SWIVEL,SEAL LOK	48881	6 HLO-S	UNION,ORFS
48819	1JC43-8-6	HOSE END,FEMALE SWIVEL,SEAL LOK	48883	8 P5ON-S	PLUG,STRAIGHT THREAD
48820	1J743-8-6	HOSE END,45° FEMALE SWIVEL,SEAL LOK	48884	8M18F87OMLO-S	CONNECTOR,METRIC,STRAIGHT THREAD TO ORFS
48821	1J943-8-6	HOSE END,90° FEMALE SWIVEL,SEAL LOK	48885	4 WGTX-WLN-S	CONNECTOR,BULKHEAD,FEMALE PIPE TO FLARE TUBE
48822	1JC43-8-8	HOSE END,FEMALE SWIVEL,SEAL LOK	48886	4 F5OLO-SW/2MM	CONNECTOR,MACHINED STRAIGHT THREAD TO ORFS
48823	1JS43-8-8	HOSE END,FEMALE SWIVEL,SEAL LOK	48887	4 CTX-S	ELBOW,90°,MALE PIPE TO FLARE TUBE
48824	1J143-8-8	HOSE END,90° FEMALE SWIVEL,SEAL LOK	48888	10-12 V5OLO-S	ELBOW,45°,STRAIGHT THREAD TO ORFS
48825	1J543-8-8	HOSE END,90° FEMALE SWIVEL,SEAL LOK	48890	4 S5OLO-S	BRANCH TEE,STRAIGHT THREAD TO ORFS
48826	1J743-8-8	HOSE END,45° FEMALE SWIVEL,SEAL LOK	48891	4 S6LO-S	BRANCH TEE,SWIVEL NUT TO ORFS
48827	1J943-8-8	HOSE END,90° FEMALE SWIVEL,SEAL LOK			
48828	1JC43-10-8	HOSE END,FEMALE SWIVEL,SEAL LOK			
48829	1JS43-10-8	HOSE END,FEMALE SWIVEL,SEAL LOK			
48830	1J743-10-8	HOSE END,45° FEMALE SWIVEL,SEAL LOK			
48831	1J943-10-8	HOSE END,90° FEMALE SWIVEL,SEAL LOK			
48833	1JC43-10-10	HOSE END,FEMALE SWIVEL,SEAL LOK			
48834	1J943-10-10	HOSE END,90° FEMALE SWIVEL,SEAL LOK			
48835	1JS43-10-12	HOSE END,FEMALE SWIVEL,SEAL LOK			
48836	1JC43-12-8	HOSE END,FEMALE SWIVEL,SEAL LOK			
48837	1JS43-12-8	HOSE END,FEMALE SWIVEL,SEAL LOK			
48838	1J743-12-8	HOSE END,45° FEMALE SWIVEL,SEAL LOK			
48839	1J943-12-8	HOSE END,90° FEMALE SWIVEL,SEAL LOK			
48840	1J943-12-10	HOSE END,90° FEMALE SWIVEL,SEAL LOK			
48841	1JC43-12-12	HOSE END,FEMALE SWIVEL,SEAL LOK			
48842	1JO43-12-12	HOSE END,MALE,SEAL LOK			
48843	1J143-12-12	HOSE END,90° FEMALE SWIVEL,SEAL LOK			
48844	1J543-12-12	HOSE END,90° FEMALE SWIVEL,SEAL LOK			
48845	1J743-12-12	HOSE END,45° FEMALE SWIVEL,SEAL LOK			
48846	1J943-12-12	HOSE END,90° FEMALE SWIVEL,SEAL LOK			

Fitting Cross References (Continued)

Genie PN	Parker PN	Description	Genie PN	Parker PN	Description
48892	6 C6LO-S	ELBOW,90°,SWIVEL NUT ORFS	48938	8 R6LO-S	RUN TEE,SWIVEL NUT,ORFS
48893	6 F5OHAO-S	UNION,STRAIGHT THREAD	48939	8 S6LO-S	BRANCH TEE,SWIVEL NUT TO ORFS
48894	8 WLO-WLNL-S	UNION,BULKHEAD,ORFS	48940	8 WJLO-WLNL-S	RUN TEE, BULKHEAD,ORFS
48895	DT-370-MSMO-5	VALVE,CHECK	48941	8-4 TRLO-S	REDUCER,TUBE END TO SWIVEL,ORFS
48896	6 JLO-S	UNION,TEE,ORFS	48942	8-6 C5OLO-S	ELBOW,90°,STRAIGHT THREAD TO ORFS
48897	DT-750-MSMS-5	VALVE,CHECK	48943	8-6 F5OLO-S	CONNECTOR,STRAIGHT THREAD TO ORFS
48898	DT-750-MOMS-5	VALVE,CHECK	48944	8-8 FLO-S	CONNECTOR,MALE PIPE TO ORFS
48899	DT-620-MOMS-5	VALVE,CHECK	48945	8 FTX-S	CONNECTOR,MALE PIPE TO FLARE TUBE
48900	4-6 F5OLO-SW/.035	CONNECTOR,STRAIGHT THREAD TO ORFS, W/.035 ORI	48946	8-10 F5OLO-S	CONNECTOR,STRAIGHT THREAD TO ORFS
48902	16-1 AOE4G-S	ELBOW,90° LONG,FEMALE PIPE TO STRAIGHT THREAD	48947	8-12 C5OLO-S	ELBOW,90°,STRAIGHT THREAD TO ORFS
48903	1 FF-S	NIPPLE,PIPE	48948	8-12 F5OLO-S	CONNECTOR,STRAIGHT THREAD TO ORFS
48904	4 C5OLO-S	ELBOW,90°,STRAIGHT THREAD TO ORFS	48949	8-16 F5OLO-S	CONNECTOR,STRAIGHT THREAD TO ORFS
48905	4 F5OLO-S	CONNECTOR,STRAIGHT THREAD TO ORFS	48950	10 C5OLO-S	ELBOW,90°,STRAIGHT THREAD TO ORFS
48906	4 R5OLO-S	RUN TEE,STRAIGHT THREAD	48951	10 CC5OLO-S	ELBOW,90° LONG,STRAIGHT THREAD TO ORFS
48907	4 V5OLO-S	ELBOW,45°,STRAIGHT THREAD TO ORFS	48952	10 F5OLO-S	CONNECTOR,STRAIGHT THREAD TO ORFS
48908	4 R6LO-S	RUN TEE,SWIVEL NUT,ORFS	48953	10 R5OLO-S	RUN TEE,STRAIGHT THREAD
48909	4 WJLO-WLNL-S	RUN TEE, BULKHEAD,ORFS	48954	10 S5OLO-S	BRANCH TEE,STRAIGHT THREAD TO ORFS
48910	4 GTX-S W/.030	CONNECTOR,FEMALE PIPE TO FLARE TUBE	48955	10 R6LO-S	RUN TEE,SWIVEL NUT,ORFS
48911	4-6 C5OLO-S	ELBOW,90°,STRAIGHT THREAD TO ORFS	48956	10-4 TRLO-BL-S	REDUCER,TUBE END TO SWIVEL,ORFS
48912	4-6 F5OLO-S	CONNECTOR,STRAIGHT THREAD TO ORFS	48957	10-6 TRLO-BL-S	REDUCER,TUBE END TO SWIVEL,ORFS
48913	4-6 F5OLO-SW/.030	CONNECTOR,STRAIGHT THREAD TO ORFS, W/.030 ORI	48958	10-12 F5OLO-S	CONNECTOR,STRAIGHT THREAD TO ORFS
48914	4-8 F5OLO-S	CONNECTOR,STRAIGHT THREAD TO ORFS	48959	12 C5OLO-S	ELBOW,90°,STRAIGHT THREAD TO ORFS
48915	6 C5OLO-S	ELBOW,90°,STRAIGHT THREAD TO ORFS	48960	12 F5OLO-S	CONNECTOR,STRAIGHT THREAD TO ORFS
48916	6 F5OLO-S	CONNECTOR,STRAIGHT THREAD TO ORFS	48961	12 R5OLO-S	RUN TEE,STRAIGHT THREAD
48917	6 FF5OLO-S	CONNECTOR,LONG,STRAIGHT THREAD TO ORFS	48962	12 S5OLO-S	BRANCH TEE,STRAIGHT THREAD TO ORFS
48918	6 R5OLO-S	RUN TEE,STRAIGHT THREAD	48963	12 V5OLO-S	ELBOW,45°,STRAIGHT THREAD TO ORFS
48919	6 S5OLO-S	BRANCH TEE,STRAIGHT THREAD TO ORFS	48964	12 R6LO-S	RUN TEE,SWIVEL NUT,ORFS
48920	6 V5OLO-S	ELBOW,45°,STRAIGHT THREAD TO ORFS	48965	12 CLO-S	ELBOW,90°,MALE PIPE TO ORFS
48921	6 FLO-S	CONNECTOR,MALE PIPE TO ORFS	48966	12 FLO-S	CONNECTOR,MALE PIPE TO ORFS
48922	6-6 FLO-S	CONNECTOR,MALE PIPE TO ORFS	48967	12 JLO-S	UNION TEE,ORFS
48923	6 P5ON-S	PLUG,STRAIGHT THREAD	48968	12 WLO-WLNL-S	UNION,BULKHEAD,ORFS
48925	6 WELO-S	UNION,90° BULKHEAD,ORFS	48969	12 WJLO-WLNL-S	RUN TEE, BULKHEAD,ORFS
48926	6-4 C5OLO-S	ELBOW,90°,STRAIGHT THREAD TO ORFS	48970	12 WELO-WLNL-S	UNION,90° BULKHEAD W/NUT,ORFS
48927	6-4 F5OLO-S	CONNECTOR,STRAIGHT THREAD TO ORFS			
48928	6-4 V5OLO-S	ELBOW,45°,STRAIGHT THREAD TO ORFS			
48929	6-8 C5OLO-S	ELBOW,90°,STRAIGHT THREAD TO ORFS			
48930	6-8 F5OLO-S	CONNECTOR,STRAIGHT THREAD TO ORFS			
48931	6-10 F5OLO-S	CONNECTOR,STRAIGHT THREAD TO ORFS			
48932	8 C5OLO-S	ELBOW,90°,STRAIGHT THREAD TO ORFS			
48933	8 F5OLO-S	CONNECTOR,STRAIGHT THREAD TO ORFS			
48934	8 FF5OLO-S	CONNECTOR,LONG,STRAIGHT THREAD TO ORFS			
48935	8 R5OLO-S	RUN TEE,STRAIGHT THREAD			
48936	8 S5OLO-S	BRANCH TEE,STRAIGHT THREAD TO ORFS			
48937	8 V5OLO-S	ELBOW,45°,STRAIGHT THREAD TO ORFS			

Fitting Cross References (Continued)

Genie PN	Parker PN	Description	Genie PN	Parker PN	Description
48971	12 G5G5JG5-S	TEE,FEMALE STRAIGHT THREAD	49612	PKT02586	O-RING KIT (ORFS FITTINGS)
48972	12 XHL6-S	ADAPTER, 37° MALE TO SWIVEL ORFS	49613	PKT06276	PLUG AND CAP KIT-SERVICE,ORFS
48973	12-1/2 F5OG-S	ADAPTER,FEMALE PIPE TO STRAIGHT THREAD	49728	10143-12-12	HOSE END, MALE PIPE
48974	12-10 C5OLO-S	ELBOW,90°,STRAIGHT THREAD TO ORFS	49729	16-1 F5OG-S	ADAPTER,FEMALE PIPE TO STRAIGHT THREAD
48975	12-10 F5OLO-S	CONNECTOR,STRAIGHT THREAD TO ORFS	49814	12-8 FLO-S	CONNECTOR,MALE PIPE TO ORFS
48976	12-16 C5OLO-S	ELBOW,90°,STRAIGHT THREAD TO ORFS	49829	DT-500-MOMF-5	VALVE,CHECK
48977	12-16 F5OLO-S	CONNECTOR,STRAIGHT THREAD TO ORFS	49831	881-12	HOSE,3/4 INCH ID
48978	12-16 V5OLO-S	ELBOW,45°,STRAIGHT THREAD TO ORFS	49834	16 JLO-S	UNION TEE,ORFS
48980	12-16 FLO-S	CONNECTOR,MALE PIPE TO ORFS	49838	12-8 TRLO-BL-S	REDUCER,TUBE END TO SWIVEL,ORFS
48983	16 C5OLO-S	ELBOW,90°,STRAIGHT THREAD TO ORFS	49840	8 JLO-S	UNION TEE,ORFS
48984	16 F5OLO-S	CONNECTOR,STRAIGHT THREAD TO ORFS	49844	10-8 TRLO-BL-S	REDUCER,TUBE END TO SWIVEL,ORFS
48985	16 V5OLO-S	ELBOW,45°,STRAIGHT THREAD TO ORFS	49854	8 P5ON-S	PLUG,STRAIGHT THREAD
48986	16 FLO-S	CONNECTOR,MALE PIPE TO ORFS	49855	1JC43-16-12	HOSE END,FEMALE SWIVEL,SEAL LOK
48988	16 CD45-S	ELBOW,45°,MALE TO FEMALE PIPE	49859	4 P5ON-S	PLUG,STRAIGHT THREAD
48989	12 CD45-S	ELBOW,45°,MALE TO FEMALE PIPE	49861	4 FF5OLO-S	CONNECTOR,LONG,STRAIGHT THREAD TO ORFS
48990	8 CD45-S	ELBOW,45°,MALE TO FEMALE PIPE	49867	12-3/4 F5OG-S	ADAPTER,FEMALE PIPE TO STRAIGHT THREAD
48991	16-12 FLO-S	CONNECTOR,MALE PIPE TO ORFS	51152	6 R6X-S	RUN TEE,SWIVEL NUT,ORFS
48992	16-12 V5OLO-S	ELBOW,45°,STRAIGHT THREAD TO ORFS	51153	6-4 TRTX-S	REDUCER,TUBE END TO SWIVEL,ORFS
48993	XV501-12	BALL VALVE	51154	4-4 GTX	CONNECTOR,FEMALE PIPE TO FLARE TUBE
48994	XV501-16	BALL VALVE	51264	881-12	HOSE,3/4 INCH ID
48995	XV510P-12	BALL VALVE	51265	8 JLO-S	UNION TEE,ORFS
48996	XV510P-16	BALL VALVE	51508	6 BTX-S	NUT,FLARE TUBE
48997	PD341	DIAGNOSTIC NIPPLE, STRAIGHT THREAD	51580	12-8 TRLO-BL-S	TUBE END REDUCER,ORFS
48998	PD 361	DIAGNOSTIC NIPPLE, STRAIGHT THREAD	51628	6 R6X-S	RUN TEE,SWIVEL NUT,ORFS
48999	DT-500-MOMS-5	VALVE,CHECK	51735	3/8 HHP	PLUG,PIPE THREAD
49201	10 V5OLO-S	ELBOW,45°,STRAIGHT THREAD TO ORFS	51803	1J943-6-8	HOSE END,90° FEMALE SWIVEL,SEAL LOK
49202	1JC43-12-10	HOSE END,FEMALE SWIVEL,SEAL LOK	53023	125HBL-5-4	FITTING,HOSE BARB TO MALE PIPE
49203	10-8 V5OLO-S	ELBOW,45°,STRAIGHT THREAD TO ORFS	53497	PKT02585	O-RING KIT
49205	6 F5OHAO-S	UNION,STRAIGHT THREAD	53499	1JC71-16-16	HOSE END,FEMALE SWIVEL,SEAL LOK
49207	PD34BTL	DIAGNOSTIC NIPPLE,SEAL-LOK SWIVEL	53500	3-904	O-RING,STRAIGHT THREAD,-4
49209	8M18F870MX-S	CONNECTOR,METRIC,STRAIGHT THREAD TO FLARE TUBE	53501	3-906	O-RING,STRAIGHT THREAD,-6
49212	8 WGTX-WLN-S	CONNECTOR,BULKHEAD,FEMALE PIPE TO FLARE TUBE	53502	3-908	O-RING,STRAIGHT THREAD,-8
49213	30682-8-8	HOSE END,FEMALE SWIVEL,JIC	53503	3-910	O-RING,STRAIGHT THREAD,-10
49216	831-8	HOSE,1/2 INCH ID			
49217	33982-8-8	HOSE END,90° FEMALE SWIVEL,JIC			
49219	PS-B-35	SLEEVE,NYLON,2.19" ID			
49418	4-6 V5OLO-S	ELBOW,45°,STRAIGHT THREAD TO ORFS			
49511	DT370-MOMS-5	VALVE,CHECK			
49512	1 DD-S	ELBOW,90°,FEMALE PIPE			
49513	1 FF-S	NIPPLE,PIPE			
49514	10 HP5ON-S	PLUG,STRAIGHT THREAD			
49515	12-16 CLO-S	ELBOW,90°,MALE PIPE TO ORFS			
49517	6 HP5ON-S	PLUG,STRAIGHT THREAD			
49519	16-12 F5OLO-S	CONNECTOR,STRAIGHT THREAD TO ORFS			
49520	4 VTX-S	ELBOW,45°,MALE PIPE TO FLARE TUBE			
49530	16 C6LO-S	ELBOW,90°,SWIVEL NUT ORFS			

Fitting Cross References (Continued)

Genie PN	Parker PN	Description	Genie PN	Parker PN	Description
53535	3-912	O-RING,STRAIGHT THREAD,-12	61083	24 F5OLO-S	CONNECTOR,STRAIGHT THREAD TO ORFS
53536	4-PNLO-S	PLUG,TUBE END,ORFS	61086	20 R5OLO-S	RUN TEE,STRAIGHT THREAD
53537	6 PNLO-S	PLUG,TUBE END,ORFS	61090	24-20 F5OLO-S	CONNECTOR,STRAIGHT THREAD TO ORFS
53538	8 PNLO-S	PLUG,TUBE END,ORFS	61091	1J943 24-24	HOSE END,90° FEMALE SWIVEL,SEAL LOK
53539	10 PNLO-S	PLUG,TUBE END,ORFS	61093	1J978-12-12	HOSE END,90° FEMALE SWIVEL,JIC
53540	12 PNLO-S	PLUG,TUBE END,ORFS	61095	1JS43-20-16	HOSE END,FEMALE SWIVEL,SEAL LOK
53946	129HB-5-4	FITTING,90° HOSE BARB TO MALE PIPE	61100	811-24	HOSE,11/2 INCH ID
53951	8-1/4F50G-S	ADAPTER,FEMALE PIPE TO STRAIGHT THREAD	61130	1JS43-24-24	HOSE END,FEMALE SWIVEL,SEAL LOK
53980	6 S6LO-S	BRANCH TEE,SWIVEL NUT TO ORFS	61131	1JS78 12-12	HOSE END,FEMALE SWIVEL,SEAL LOK
54132	4 C6LO-S	ELBOW,90°,SWIVEL NUT ORFS	61132	1J778-12-12	HOSE END,45° FEMALE SWIVEL,JIC
54135	11343-16-16	HOSE END,MALE SWIVEL,PIPE	61152	139HB-6-4	ELBOW,45°,BARB TO MALE PIPE
54283	8-10 C5OLO-S	ELBOW,90°,STRAIGHT THREAD TO ORFS	61251	BV-0750	BALL VALVE
54428	8M18C870MLO-S	ELBOW, 90° METRIC, STRAIGHT THREAD TO ORFS	61259	4 CC5OLO-S	ELBOW,90° LONG,STRAIGHT THREAD TO ORFS
54803	FS-F-16-10	SLEEVE,FIRE,-96" ID	61260	20-12 TRLO-BL	REDUCER,TUBE END TO SWIVEL,ORFS
54954	10143-2-4	HOSE END, MALE PIPE	61262	12 C6LO-S	ELBOW,90°,SWIVEL NUT ORFS
55190	3/8 HP-S	PLUG,PIPE THREAD	61263	20 F5OHAO-S	UNION,STRAIGHT THREAD
55448	8 HLO-S	UNION,ORFS	61264	6-10 C5OLO-S	ELBOW,90°,STRAIGHT THREAD TO ORFS
55839	6 F65OX-S	CONNECTOR,STRAIGHT THREAD TO 37° SWIVEL	61265	6 WNLO-WLNL-S	UNION,BULKHEAD 45°,ORFS
55968	10 C5OX-S	ELBOW,90°,STRAIGHT THREAD TO FLARE TUBE	61268	4 WNLO-WLNL-S	UNION,BULKHEAD 45°,ORFS
56003	6 CC5OLO-S	ELBOW,90° LONG,STRAIGHT THREAD TO ORFS	61269	4 WLO-WLNL-S	UNION,BULKHEAD,ORFS
56166	BV-0837	BALL VALVE,90°	61272	12 AOEL6	ELBOW,90°,STRAIGHT THREAD TO ORFS SWIVEL
56188	10143-8-6	HOSE END, MALE PIPE	61316	482TC-16	HOSE,1 INCH ID
56233	2-011	O-RING,ORFS,-4	61321	6 JLO-S	UNION TEE,ORFS
56234	2-012	O-RING,ORFS,-6	61327	782-12	HOSE,3/4 INCH ID
56235	2-014	O-RING,ORFS,-8	61328	881-24	HOSE,11/2 INCH ID
56236	2-016	O-RING,ORFS,-10	61336	11943-20-24	HOSE END,90° FLANGE HEAD
56237	2-018	O-RING,ORFS,-12	61345	12 WJLO-WLNL-S	RUN TEE, BULKHEAD,ORFS
56238	2-021	O-RING,ORFS,-16	61346	8 WNLO-WLNL-S 4	UNION,BULKHEAD 45°,ORFS
56352	6 WLNL-S	LOCKNUT,BULKHEAD	61569	33782-8-8	HOSE END,45° FEMALE SWIVEL,JIC
56353	3J782-12-12	HOSE END,45° FEMALE SWIVEL,SEAL LOK	61610	12 FF5OLO-S	CONNECTOR,LONG,STRAIGHT THREAD TO ORFS
56354	3J982-12-12	HOSE END,90° FEMALE SWIVEL,SEAL LOK	61742	1/8 X 1.5 FFF	NIPPLE,PIPE
56604	10-8 F5OLO-S	CONNECTOR,STRAIGHT THREAD TO ORFS	63426	8 PNTX-S	PLUG,FLARE TUBE
56639	3JC82-10-10	HOSE END,FEMALE SWIVEL,SEAL LOK			
56640	3J982-10-10	HOSE END,90° FEMALE SWIVEL,SEAL LOK			
56655	3JC82-8-10	HOSE END,FEMALE SWIVEL,SEAL LOK			
56676	10-8 C5OLO-S	ELBOW,90°,STRAIGHT THREAD TO ORFS			
56776	471TC-6	HOSE,3/8 INCH ID			
56777	471TC-8	HOSE,1/2 INCH ID			
56789	811-16	HOSE,1 INCH ID			
57884	3/8 FF	NIPPLE,PIPE			
59335	6 FNL-S	CAP, TUBE END			
59342	4 FNL-S	CAP, TUBE END			
59371	8 HP5ON-S	PLUG,STRAIGHT THREAD			
60653	BV-0751	BALL VALVE			
60806	125HB-3-4	FITTING,HOSE BARB TO MALE PIPE			
61064	5-1/4 F50G-S	ADAPTER,FEMALE PIPE TO STRAIGHT THREAD			
61079	4 WELO-WLNL-S	UNION,90° BULKHEAD W/NUT,ORFS			
61080	6 WLO-WLNL-S	UNION,BULKHEAD,ORFS			

Fitting Cross References (Continued)

Genie PN	Parker PN	Description	Genie PN	Parker PN	Description
64271	4 WLO-WLNL-S	UNION,BULKHEAD,ORFS	75631	801-6	HOSE,3/8 INCH ID
64272	6 WLO-WLNL-S	UNION,BULKHEAD,ORFS	75654	20 F5OLO-S	CONNECTOR,STRAIGHT THREAD TO ORFS
65776	8 F65OL-S	CONNECTOR,STRAIGHT THREAD TO ORFS SWIVEL	75655	1J943-20-20	HOSE END,90° FEMALE SWIVEL,SEAL LOK
65880	6001012	O-RING KIT	75656	881-20	HOSE,1-1/4 INCH ID
66154	6 WTX-WLNS	UNION,BULKHEAD,FLARE TUBE	75971	8 F5OHAO-S	UNION,STRAIGHT THREAD
66155	6 WETX-S	UNION,BULKHEAD 90°,FLARE TUBE	77307	1JB43-8-8	HOSE END,BULKHEAD,SEAL LOK
66156	6 WLN-S	BULKHEAD LOCKNUT	77309	8 WLNL-S	BULKHEAD LOCKNUT
66389	6-8 F5OX-S	CONNECTOR,STRAIGHT THREAD TO FLARE TUBE	77379	8M18C87OMX-S	ELBOW,90° METRIC,STRAIGHT THREAD TO FLARE TUBE
66392	6 R5OX-S	RUN TEE,STRAIGHT THREAD	77703	3J982-8-8	HOSE END,90° FEMALE SWIVEL,SEAL LOK
66396	811-12	HOSE,3/4 INCH ID	77711	801-10	HOSE,5/8 INCH ID
66829	H3174PP	CLAMP,TUBE	77758	12 WNLO-WLNL-S	UNION,BULKHEAD 45°,ORFS
67217	4 KLO-S	UNION,CROSS,ORFS	78091	6 C6X-S	ELBOW,90°,SWIVEL NUT TO FLARE TUBE
67339	10-6 F5OX-S	CONNECTOR,STRAIGHT THREAD TO FLARE TUBE	78684	30582-8-8B	HOSE END,PUSH LOK,MALE
67357	13943-8-6	HOSE END,90° FEMALE SWIVEL,JIC	78852	549-2	HOSE,1/8 INCH ID
67358	10 HP5ON-S	PLUG,STRAIGHT THREAD	78855	10657-4-2	HOSE END,FEMALE SWIVEL,JIC
67371	12 S6LO-S	BRANCH TEE,SWIVEL NUT TO ORFS	79138	PS-B-37	SLEEVE,NYLON,2.38" ID
67498	4 FNL-S	CAP, TUBE END	79476	1JS43-6-8	HOSE END,FEMALE SWIVEL,SEAL LOK
67906	DC-370-F0F0-5	VALVE,CHECK	79847	12-3/4 A0EG-S	ELBOW,90°,STRAIGHT THREAD TO FEMALE PIPE
69316	8 FLO-S	CONNECTOR,MALE PIPE TO ORFS	80044	8 CLO-S	ELBOW,90°,MALE PIPE TO ORFS
69333	H3174PP	CLAMP,HYDRAULIC HOSE	80502	8 F5OX-S	CONNECTOR,STRAIGHT THREAD TO FLARE TUBE
69503	4 F65OX-S	CONNECTOR,STRAIGHT THREAD TO 37° SWIVEL	80503	8 C5OX-S	ELBOW,90°,STRAIGHT THREAD TO FLARE TUBE
69775	8 FNL-S	CAP, TUBE END	81010	AS-B-27	SLEEVE,NYLON,1.63" ID
71038	1/4X1/4F3HG-S	ADAPTER,CONVERSION	83052	821-6	HOSE,3/8 INCH ID
71196	12-8 F5OLO-S	CONNECTOR,STRAIGHT THREAD TO ORFS	83053	821-8	HOSE,1/2 INCH ID
71383	1/4 CD45-S	ELBOW,45°,MALE TO FEMALE PIPE	83054	821-12	HOSE,3/4 INCH ID
72270	12FNL-S	CAP, TUBE END	83055	30682-6-6	HOSE END,FEMALE SWIVEL,JIC
73436	60C-4	SLEEVE,COMPRESSION	83056	30682-12-12	HOSE END,FEMALE SWIVEL,JIC
73437	61C-4	NUT,COMPRESSION	83057	33782-6-6	HOSE END,45° FEMALE SWIVEL,JIC
73438	33482-4-4B	HOSE END,PUSH LOK,MALE	83058	33982-6-6	HOSE END,90° FEMALE SWIVEL,JIC
73767	1CD-S	ELBOW,90°,MALE TO FEMALE PIPE	83060	33982-12-12	HOSE END,90° FEMALE SWIVEL,JIC
73768	20-16-F5OG5-S	ADAPTER,FEMALE PIPE TO STRAIGHT THREAD	83063	13743-4-4	HOSE END,45° FEMALE SWIVEL,JIC
73769	16-20 F5OLO-S	CONNECTOR,STRAIGHT THREAD TO ORFS			
74660	6-8 F42EDMLO-S	CONNECTOR,MALE BSPP TO ORFS			
74661	8-8 F42EDMLO-S	CONNECTOR,MALE BSPP TO ORFS			
75007	4 FLO-S	CONNECTOR,MALE PIPE TO ORFS			
75008	1/8 HP-S	PLUG,PIPE THREAD			
75014	1/2 HP-S	PLUG,PIPE THREAD			
75042	8 WELO-WLNL-S	UNION,90° BULKHEAD W/NUT,ORFS			
75043	3/4 FF-S	NIPPLE,PIPE			
75254	24 F5OHAO-S	UNION,STRAIGHT THREAD			
75255	12 F5OHAO-S	UNION,STRAIGHT THREAD			
75256	XV506P-24	BALL VALVE			
75574	4 WLNL-S	BULKHEAD LOCKNUT			
75612	8 WJLO-WLNL-S	RUN TEE, BULKHEAD,ORFS			
75613	12-8 F5OG5-S	ADAPTER,FEMALE PIPE TO STRAIGHT THREAD			
75614	8 CC5OLO-S	ELBOW,90° LONG,STRAIGHT THREAD TO ORFS			
75628	1JB43-4-4	HOSE END,BULKHEAD,SEAL LOK			

Fitting Cross References (Continued)

Genie PN	Parker PN	Description	Genie PN	Parker PN	Description
83064	13743-8-8	HOSE END,45° FEMALE SWIVEL,JIC	89449	6 WJLO-WLNL-S	RUN TEE, BULKHEAD,ORFS
83065	13743-12-12	HOSE END,45° FEMALE SWIVEL,JIC	89489	4 WJMLO-S	BRANCH TEE,BULKHEAD,ORFS
83066	13943-8-8	HOSE END,90° FEMALE SWIVEL,JIC	89551	1JB43-6-6	HOSE END,BULKHEAD,SEAL LOK
83067	14143-6-6	HOSE END,90° FEMALE SWIVEL,JIC	89552	1JB43-8-8	HOSE END,BULKHEAD,SEAL LOK
83068	14143-8-8	HOSE END,90° FEMALE SWIVEL,JIC	89593	20 C5OLO-S	ELBOW,90°,STRAIGHT THREAD TO ORFS
83069	14143-12-12	HOSE END,90° FEMALE SWIVEL,JIC	94161	8-8 CLO-S	ELBOW,90°,MALE PIPE TO ORFS
83070	772-8	HOSE,1/2 INCH ID	94358	351TC-12	HOSE,3/4 INCH ID
83071	10671-8-8	HOSE END,FEMALE SWIVEL,JIC	94418	20 FLO-S	CONNECTOR,MALE PIPE TO ORFS
83072	10671-12-12	HOSE END,FEMALE SWIVEL,JIC	96358	12 TX-S	SLEEVE,FLARE TUBE
83073	13771-8-8	HOSE END,45° FEMALE SWIVEL,JIC	96359	12 BTX-S	NUT,FLARE TUBE
83074	13771-12-12	HOSE END,45° FEMALE SWIVEL,JIC	96397	8 F5OX-S	CONNECTOR,STRAIGHT THREAD TO FLARE TUBE
83075	13971-8-8	HOSE END,90° FEMALE SWIVEL,JIC	96398	12-8 F5OX-S	CONNECTOR,STRAIGHT THREAD TO FLARE TUBE
83076	13971-12-12	HOSE END,90° FEMALE SWIVEL,JIC	96402	10343-6-6	HOSE END,MALE,JIC
83077	14171-8-8	HOSE END,90° FEMALE SWIVEL,JIC	96407	30382-6-6B	HOSE END,MALE,JIC
83078	14171-12-12	HOSE END,90° FEMALE SWIVEL,JIC			
83080	13943-16-16	HOSE END,90° FEMALE SWIVEL,JIC			
83103	10671-16-12	HOSE END,FEMALE SWIVEL,JIC			
83104	10671-10-12	HOSE END,FEMALE SWIVEL,JIC			
83112	1JC71-8-8	HOSE END,FEMALE SWIVEL,SEAL LOK			
83113	1JS71-16-12	HOSE END,FEMALE SWIVEL,SEAL LOK			
83114	1JS71-10-12	HOSE END,FEMALE SWIVEL,SEAL LOK			
83115	1J971-8-8	HOSE END,90° FEMALE SWIVEL,SEAL LOK			
83116	1J171-8-8	HOSE END,90° FEMALE SWIVEL,SEAL LOK			
83117	1J771-8-8	HOSE END,45° FEMALE SWIVEL,SEAL LOK			
83127	1J543-6-8	HOSE END,90° FEMALE SWIVEL,JIC			
83128	1JC43-6-8	HOSE END,FEMALE SWIVEL,SEAL LOK			
87033	12-6 TRLO-S	REDUCER,TUBE END TO SWIVEL,ORFS			
87034	3J782-8-8	HOSE END,45° FEMALE SWIVEL,SEAL LOK			
87172	12 HP5ON-S	PLUG,STRAIGHT THREAD			
87185	8 WNLO-WLNL-S	UNION,BULKHEAD 45°,ORFS			
87246	4 C6X-S	ELBOW,90°,SWIVEL NUT TO FLARE TUBE			
87679	6 LHP-S	FLANGE SEAL FITTING, MALE			
87681	6PLS N0702	BONDED SEAL			
88100	SR88100	ADAPTER,OIL DRAIN,GM 3.0L			
88311	1JS43-20-20	HOSE END,FEMALE SWIVEL,SEAL LOK			
88353	20 V5OLO-S	ELBOW,45°,STRAIGHT THREAD TO ORFS			
88474	10081-20	Crimp Shell, 1.25"			
88475	1988-20-24	HOSE END,90° FLANGE HEAD			
88476	JS88-24-24	HOSE END,FEMALE SWIVEL,SEAL LOK			
88477	1JC88-20-20	HOSE END,FEMALE SWIVEL,SEAL LOK			
88478	811-20	HOSE,11/4 INCH ID			
88936	20-16 F5OLO-S	CONNECTOR,STRAIGHT THREAD TO ORFS			
88937	20-16 FLO-S	CONNECTOR,MALE PIPE TO ORFS			
88938	1JC88-16-16	HOSE END,FEMALE SWIVEL,SEAL LOK			
88939	1J988-16-16	HOSE END,90° FEMALE SWIVEL,ORFS			
88940	811-16	HOSE,1 INCH ID			
88944	1J988-20-20	HOSE END,90° FEMALE SWIVEL,ORFS			
89403	16 VLO-S	ELBOW,45°,MALE PIPE TO ORFS			

California Proposition 65



WARNING

Operating, servicing and maintaining this equipment can expose you to chemicals including engine exhaust, carbon monoxide, phthalates, and lead, which are known to the State of California to cause cancer and birth defects or other reproductive harm. These chemicals can be emitted from or contained in other various parts and systems, fluids and some component wear by-products. To minimize exposure, avoid breathing exhaust, do not idle the engine except as necessary, service your equipment and vehicle in a well-ventilated area and wear gloves or wash your hands frequently when servicing your equipment or vehicle and after operation. For more information go to www.P65Warnings.ca.gov/passenger-vehicle.

Breathing diesel engine exhaust exposes you to chemicals known to the State of California to cause cancer and birth defects or other reproductive harm.

- Always start and operate the engine in a well-ventilated area.
- If in an enclosed area, vent the exhaust to the outside.
- Do not modify or tamper with the exhaust system.
- Do not idle the engine except as necessary.

For more information go to www.P65warnings.ca.gov/diesel.

Parts Manual

Genie Superlift

from serial number 0680-28278 to 0694-59559

Part No.
23550

Rev B2

Genie
A TEREX BRAND