



A TEREX BRAND

Parts Manual

Serial Number Range

Genie Tower

(from serial number 0684-2326
to 0688-2646)

Part No. 20941

Rev A2

November 2018

Technical Publications

Genie has endeavored to deliver the highest degree of accuracy possible. However, continuous improvement of our products is a Genie policy. Therefore, product specifications are subject to change without notice.

Readers are encouraged to notify Genie of errors and send in suggestions for improvement. All communications will be carefully considered for future printings of this and all other manuals.


Contact Us:

<http://www.genielift.com>

e-mail: awp.techpub@terex.com

Copyright © 1984 by Terex Corporation
20941 Rev A, 1984
First Edition, First Printing

Genie is a registered trademark of Terex South Dakota, Inc.
in the USA and many other countries.

 Printed on recycled paper

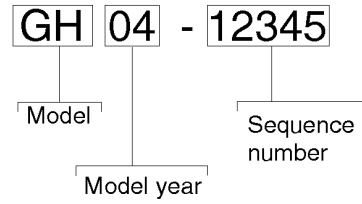
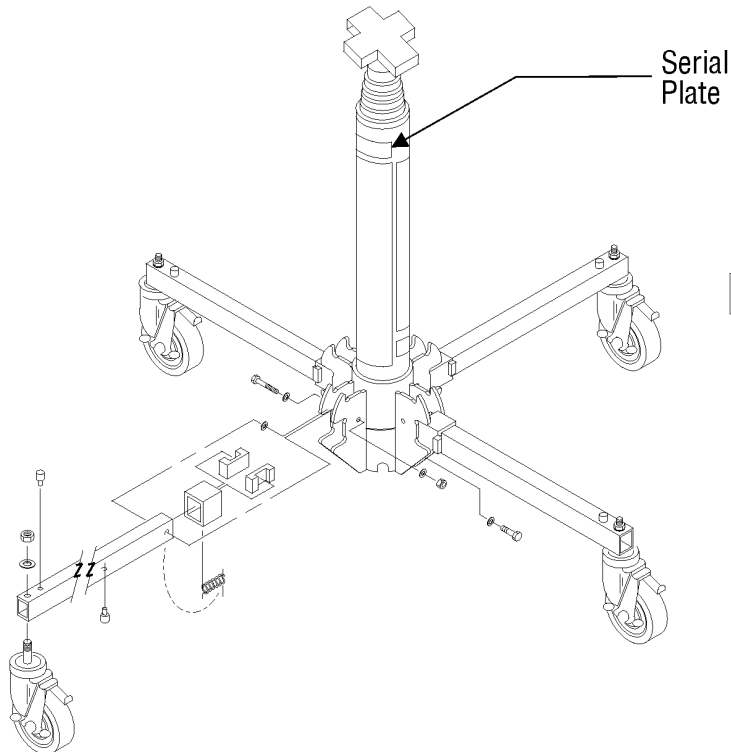
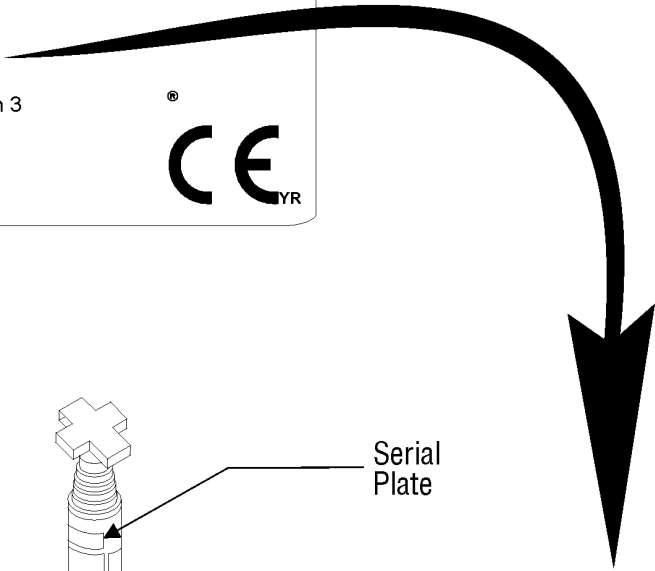


Table of Contents

This manual is updated frequently. If you have a printed manual, you can keep it up to date by downloading new figures from the Genie website at www.genielift.com. For the most up-to-date parts information, visit the Parts Lookup System on the Genie website at www.genielift.com.

How to Read Your Serial Number.....	3
Parts Stocking List.....	7
How to Order Parts.....	8
Service Parts Fax Order Form.....	9

Electronic Version

Click on any page number to view the figure.

100 Parts Figures

101.1 Overview, Genie Tower.....	10
102.1 Cylinder Assembly.....	12
103.1 Pneumatic Power Assembly.....	14
104.1 Base Assembly.....	16

Indices

Part Number Index.....	19
Part Description Index.....	20

Cross References

This Page Intentionally Left Blank

Recommended Parts

Description	Part No.
Genie Blue Paint, 1 Gallon	32150
Genie Blue Paint, 12 Ounce Aerosol.....	1484
Genie Gray Paint, 1 Gallon.....	32151
Genie Gray Paint, 12 Ounce Aerosol	1268

Manuals

Genie Industries offers the following support documents for these models:

Title	Part No.
Genie Tower Operator's Manual, 1st Edition (from SN 0684-2326 to 0688-2646).....	20962
EMI Safety Manual	27581
Manual of Responsibilities	
ANSI A92.5	31587

How To Order Parts

How to Order Parts

Please be prepared with the following information when ordering replacement parts for your Terex or Genie product.

- Machine model number
- Machine serial number
- Part number
- Part description and quantity
- Purchase order number
- "Ship to" address
- Desired method of shipment
- Name and telephone number of the authorized distributor in your area.

Use the Service Parts Fax Order Form on the next page and fax your order to our Parts Department.

If you don't know the name of your authorized distributor, or if your area is not currently serviced by an authorized distributor, please call Terex or Genie Industries.

Machine Information

Model

Serial Number

Date of Purchase

Authorized Genie Distributor

Phone Number

North America

Telephone (425)881-1800
 Toll Free (800)536-1800 in US and Canada
 Fax (425)556-8659
 Toll Free fax (888)274-6192
 Email AWP.PartsSalesPO@terex.com
<http://genielift.com/en>

EMEAR (Europe, Middle East, Africa and Russia)

Telephone (31)(165)519 313
 Fax (31)(165)511 148
<http://genielift.co.uk>

Asia Pacific (Genie Singapore)

Telephone +65 6692 7777
 Fax +65 6261 8893
<http://genielift.com.sg/>

Australia

Telephone (61)(7)3456 4444
 Fax (61)(7)3456 4466
<http://genielift.com.au>

South America

Telephone (55)(11)4082 5600
 Fax (55)(11)4082 5630



Service Parts Fax Order Form

Fax to: (425) 556-8659 or Toll Free: 888-274-6192
International: +1-425-556-8659

Please fill out completely

Date _____	Account Number _____
Your Name _____	Your Fax Number _____
_____	Your Phone Number _____
Bill To _____	Ship To _____
_____	_____
_____	_____
Purchase Order Number _____	Ship Via _____

Model(s) _____ **Serial No.(s)** _____

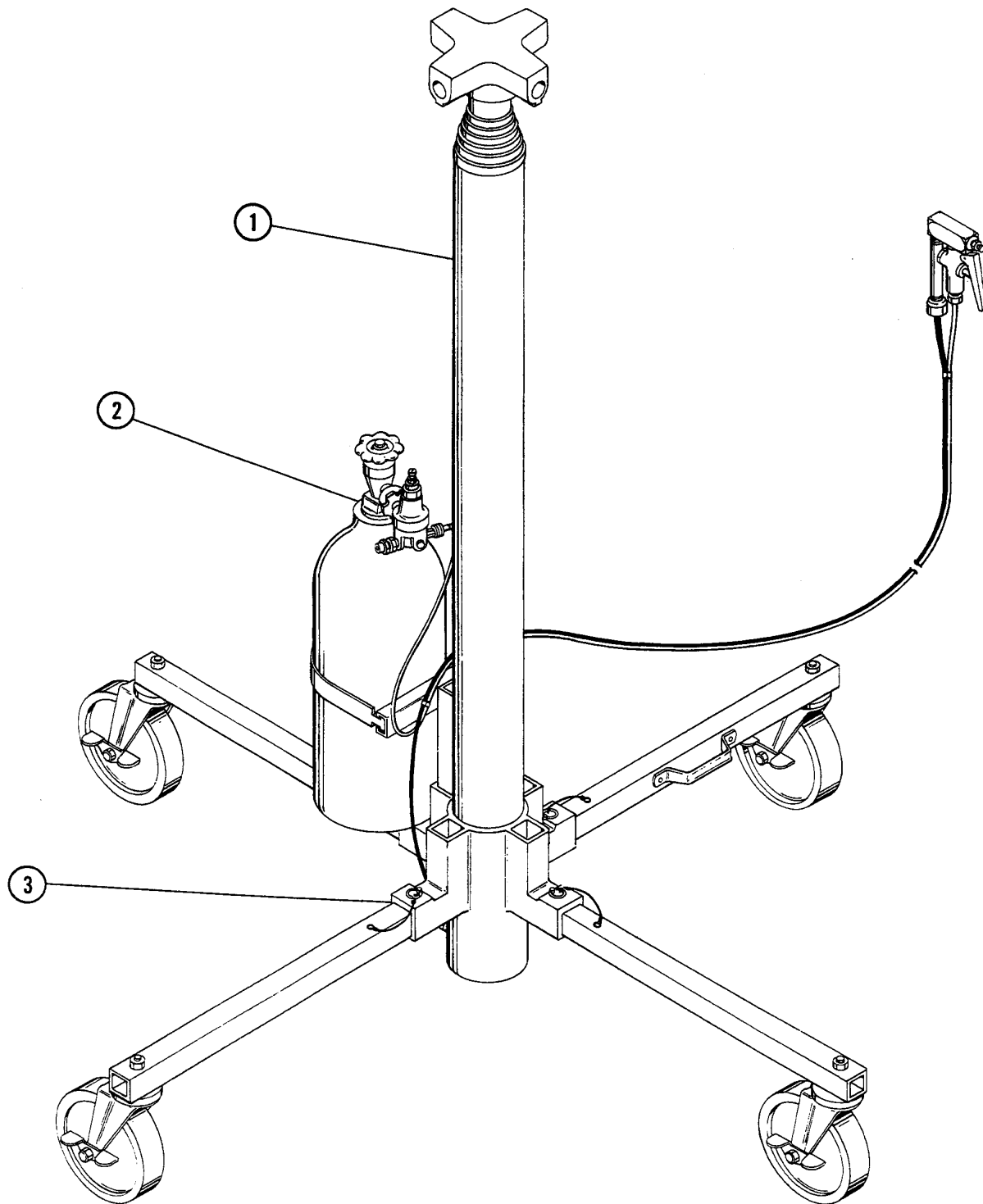
Optional Equipment _____

Part Number	Description	Quantity	Price

All back-ordered parts will be shipped when available via the same ship method as the original order unless Noted below:

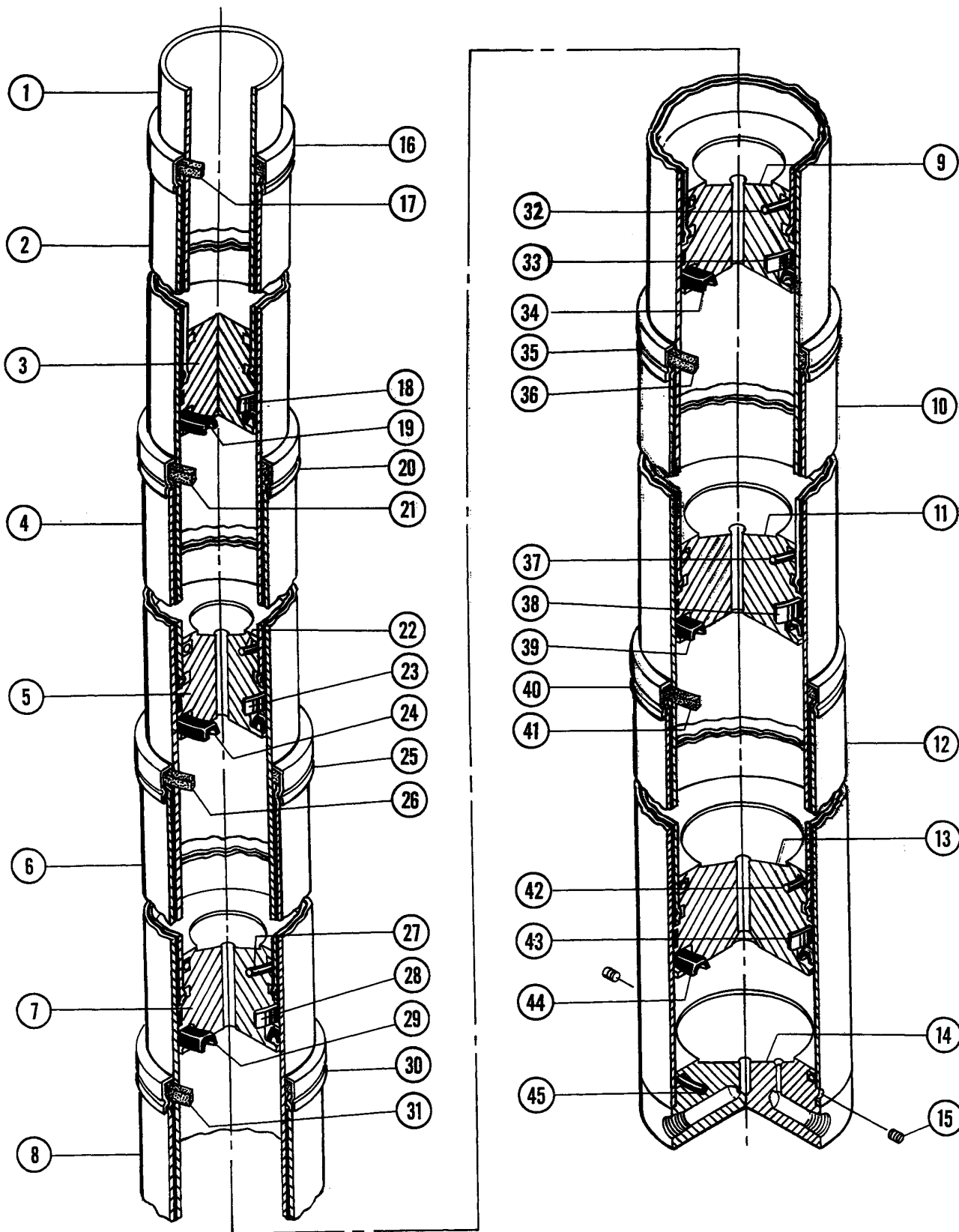
- Ship complete order only - No back orders
- Ship all available parts and contact customer on disposition of back-ordered parts
- Other (please specify)

101.1 Overview, Genie Tower



Item	Part No.	Description	Qty.
1		Cylinder Assembly Refer to Figure 2.....1	
2		Pneumatic Power Assembly Refer to Figure 3.....1	
3		Base Assembly Refer to Figure 4.....1	

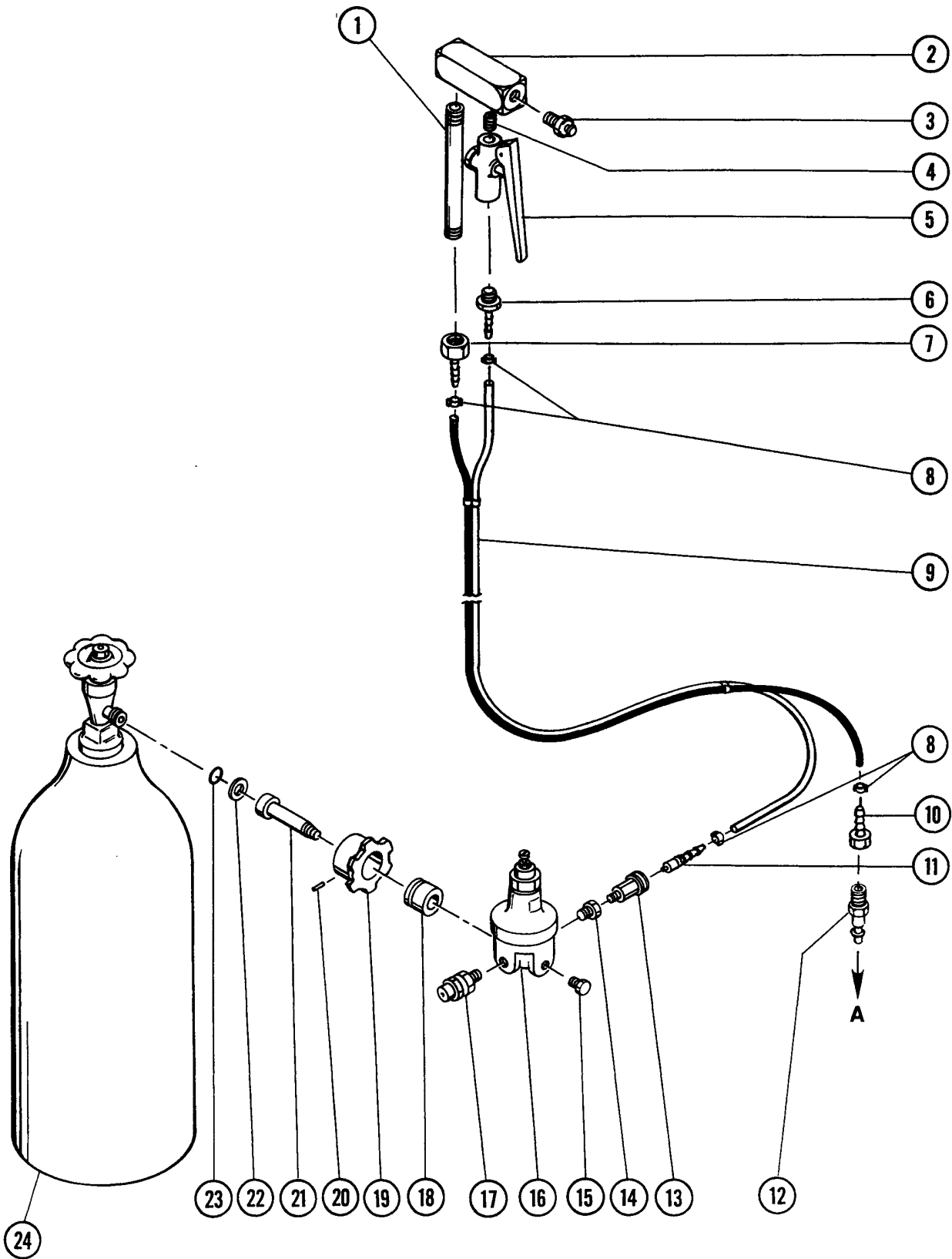
102.1 Cylinder Assembly



102.1 Cylinder Assembly

Item	Part No.	Description	Qty.	Item	Part No.	Description	Qty.
--		CYLINDER ASSEMBLY-30FT TOWER <i>part no longer available</i>		30	2058GT	RETAINER RING / 3".....	1
1		7th Stage Tube, 57.0", 2130..... <i>part no longer available</i>	1	31	2057GT	FELT DUST SEAL / 3".....	1
2		TUBE ASSEMBLY-2130 6TH STAGE..... <i>part no longer available</i>	1	32	2063GT	O-RING, 2.25 X .210 <2-331>.....	1
3	2092GT	PISTON-7TH STAGE.....	1	33	2062AGT	STRIP-#4 PISTON-8.5".....	1
4		TUBE ASSEMBLY-2130 5TH STAGE..... <i>part no longer available</i>	1	34	2064GT	U-CUP, #33, 2.25 X .313 X .313.....	1
4	2071-20AGT	TUBE-2120 5TH STAGE(BLK)53.62".....	1	35	2048GT	RETAINER RING / 3 1/4".....	1
5		PISTON W/PLUG-25 FT. #6..... <i>part no longer available</i>	1	36	2047GT	FELT DUST SEAL / 3 1/4".....	1
5	2082GT	PISTON, 6TH STAGE.....	1	37	2053GT	O-RING, 2.5 X .210 <2-333>.....	1
6		4th Stage Tube, 50.375", 2115..... <i>part no longer available</i>	1	38	2052AGT	STRIP-#3 PISTON-9.5".....	1
6	2240GT	TUBE ASSEMBLY-2125 4TH STAGE.....	1	39	2054GT	U-CUP, #35, 2.5 X .313 X .313.....	1
7		PISTON W/PLUG-20 FT. #5..... <i>part no longer available</i>	1	40	2038GT	RETAINER RING - 3 5/8".....	1
7	2072GT	PISTON, 5TH STAGE.....	1	41	2037GT	FELT DUST SEAL / 3 5/8" %%.....	1
8		TUBE ASSEMBLY-2125 3RD STAGE..... <i>part no longer available</i>	1	42	2043GT	O-RING, 2.75 X .210 <2-335>.....	1
9	2062GT	PISTON 4TH STAGE.....	1	43	2042AGT	STRIP-#2 PISTON-10.063".....	1
9	2257GT	PISTON W/PLUG-15 FT. #4.....	1	44	2044GT	U-CUP, #37, 2.625 X .375 X .375.....	1
10		TUBE ASSEMBLY-2120 2ND STAGE..... <i>part no longer available</i>	1	45	2033GT	O-RING, 3.125 X .125 <2-235>.....	1
11	2052GT	PISTON, 3RD STAGE.....	1				
12		TUBE ASSEMBLY-2120 BASE..... <i>part no longer available</i>	1				
13	2042GT	PISTON, 2ND STAGE.....	1				
14	2032GT	BASE PISTON.....	1				
15	2095GT	SCREW,SET,HS 10-32 X.25.....	5				
15	2156GT	SEAL KIT,7 STAGE HOIST-COMP..... <i>Incl. Index #16-#45</i>	5				
16	2088GT	RETAINER RING - 2 1/4".....	1				
17	2087GT	FELT DUST SEAL / 2 1/4".....	1				
18	2092AGT	STRIP-#7 PISTON-6.5".....	1				
19	2094GT	U-CUP, #27 1.75 X .313 X .313.....	1				
20	2078GT	RETAINER RING - 2 1/2".....	1				
21	2077GT	FELT DUST SEAL / 2 1/2".....	1				
22	2083GT	O-RING, 1.75 X .188 <2-327>.....	1				
23	2082AGT	STRIP-#6 PISTON-7.188".....	1				
24	2084GT	U-CUP,#29 1.875 X .313 X .313.....	1				
25	2068GT	RETAINER RING - 2 3/4".....	1				
26	2067GT	FELT DUST SEAL / 2 3/4".....	1				
27	2073GT	O-RING, 2 X .210 <2-329>.....	1				
28	2072AGT	STRIP-#5 PISTON-7.688".....	1				
29	2074GT	U-CUP, #31, 2 X .313 X .313.....	1				

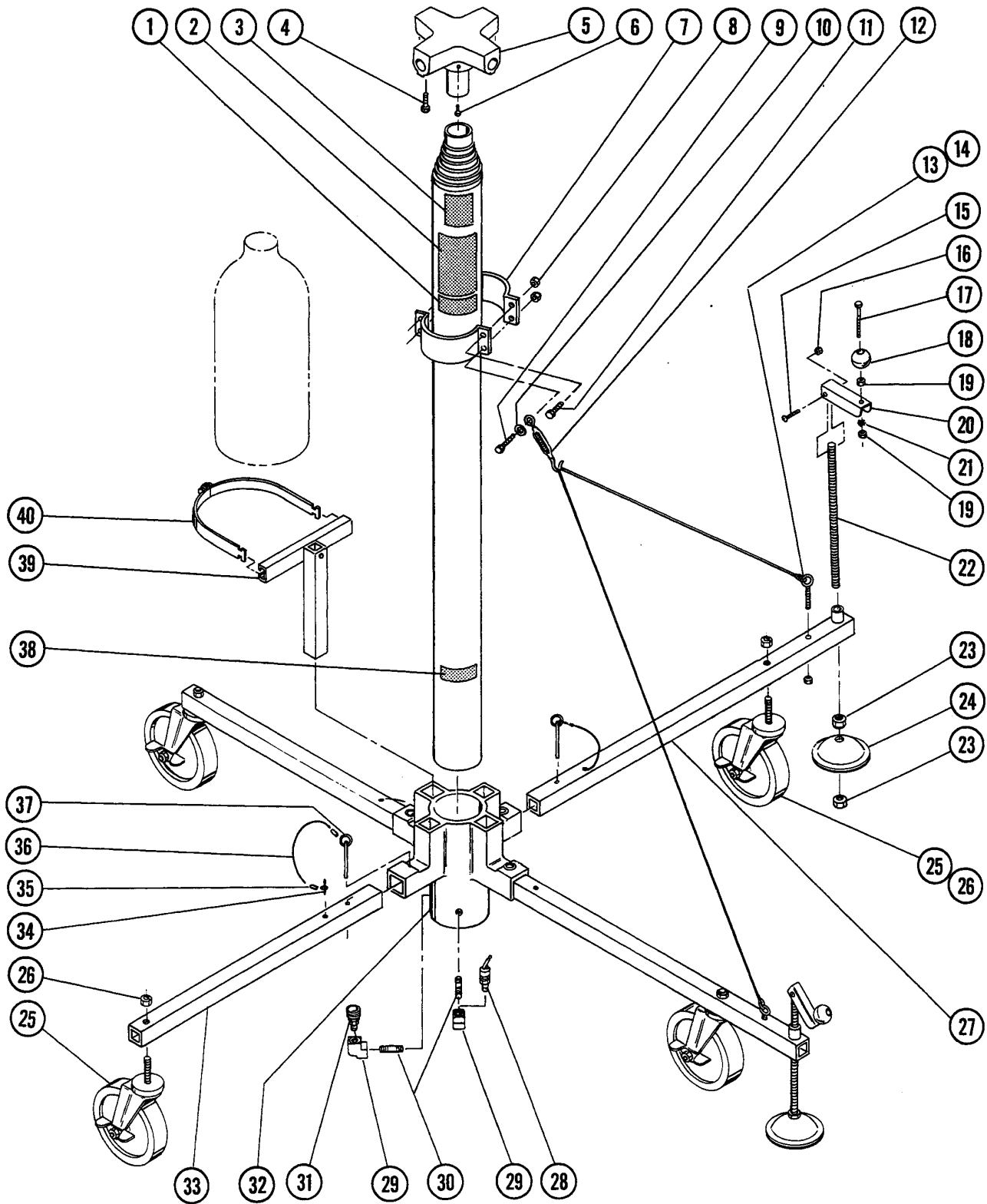
103.1 Pneumatic Power Assembly



103.1 Pneumatic Power Assembly

Item	Part No.	Description	Qty.
--	21134GT	CONTROL HOSE ASSY-TOWER <i>includes items 6-11</i>	
--	2153GT	HOSE & HAND CONTROL ASSY.TOWER <i>includes items 1-11</i>	
--	2330GT	HAND CONTROL ASSEMBLY,COMPLETE <i>includes items 1-5</i>	
1	2333GT	NIPPLE,ST, 1/4 MPT X 4 1/2.....	1
2	2332GT	VALVE MANIFOLD.....	1
3	2336GT	DOWN BUTTON ASSEMBLY.....	1
4	2155GT	NIPPLE,CLOSE, ST, 1/4 MPT X 1.....	1
5	2331GT	CONTROL VALVE,A,1/4-1/4 FPT.....	1
6	42338GT	ADAPTER, 1/4NPT-M TO 3/16 BARB.....	1
7	2453GT	CONN,BR,SWIVEL,1/4FPT-3/16 HB.....	1
8	2343GT	HOSE CRIMP,5 O.D.....	4
9	2168GT	HOSE-3/16,RUBBER,DUAL WELD-BUL.....	192-inches
10	2335GT	CONNECTOR,B,1/4 FPT 3/16 HS.....	1
11	2346GT	QUICK DISCON.PLUG 3/16 HS #189.....	1
12	2167GT	REGULATOR ASSY-METRIC,125 PSI.... <i>includes items 13-23</i>	1
12	2320GT	REGULATOR ASSY-DOMESTIC HOIST1..... <i>includes items 13-23</i>	1
12	2348GT	QUICK DISCON. PLUG 1/4 MPT #10.....	1
13	2322GT	QUICK DISCONNECT SOCKET W/VALV.....	1
14	2326GT	BUSHING,130140-4-2.....	1
15	2327GT	PLUG,HEX HEAD,1/4 MPT BRASS.....	1
16		Pressure Regulator.....	1
17	2328GT	VALVE,PRESSURE RELEASE, 1/4".....	1
18	2324GT	NUT,CO2 CONNECTOR,DOMESTIC..... <i>Domestic</i>	1
18	2329GT	NUT CO2 CONNECTOR,EUROPE/JAPAN..... <i>Metric</i>	1
19	2325GT	HAND WRENCH CASTING.....	1
20	2095GT	SCREW,SET,HS 10-32 X.25.....	1
21	2323GT	CONN.,INLET STEM,B.**.....	1
22	2371GT	O-RING RETAINER RING.....	1
23	2370GT	O-RING, .375 X .125.....	1
24	2373-SGT	CO2 TANK W/CARTON,20LB EMPTY.....	1

104.1 Base Assembly



104.1 Base Assembly

Item	Part No.	Description	Qty.	Item	Part No.	Description	Qty.
1	2275GT	DECAL,GT,GH,"350 MAX LOAD.....	1	20	8214	HANDLE,LEVELING JACK,SHRT-ZINC.....	1
1	2277GT	DECAL,GT,GH,"300 MAX LOAD.....	1			<i>replaced 6128Z and 6128P, Number shown refers to the quantity per Leveling Jack Assembly. Refer to P.N. 2252 for quantity per unit.</i>	
1	2278GT	DECAL,GT,GH,"250 MAX LOAD.....	1				
1	2279GT	DECAL,GT,GH,"200 MAX LOAD.....	1				
2	2273GT	DECAL,TOWER "NO RIDERS".....	1	21	6700GT	WASHER,STAR,EXTERNAL,,375.....	1
3		Decal "Serial #, Model #, 2130, 2125, 2120, 2115.....	1			<i>Number shown refers to the quantity per Leveling Jack Assembly. Refer to P.N. 2252 for quantity per unit.</i>	
4	6175GT	SCREW,HHC,3/8-16 X 1.....	4	22	6124GT	Screw Jack - 12.0".....	1
5		HEAD CASTING.....	1			<i>Number shown refers to the quantity per Leveling Jack Assembly. Refer to P.N. 2252 for quantity per unit.</i>	
		<i>component no longer available</i>					
5	2231GT	HEAD CASTING,GT/GH--DRILLED--.....	1	23	10258GT	NUT,NYLOCK,3/4-10,GRD.2.....	2
5	2232GT	HEAD CASTING-2125.....	1			<i>Number shown refers to the quantity per Leveling Jack Assembly. Refer to P.N. 2252 for quantity per unit.</i>	
5	2233GT	GT HEAD CASTING--DRILLED--.....	1				
6	6066GT	SCREW,RHM,10-32 X .38.....	3	24	124163GT	FOOTPAD SERVICE KIT.....	1
7	4317GT	CLAMP WELDMENT-LVL. JACK CABLE.....	2			<i>Number shown refers to the quantity per Leveling Jack Assembly. Refer to P.N. 2252 for quantity per unit.</i>	
8	6091GT	NUT,NYLOCK,1/4-20.....	4	25	2174GT	CASTER, POST SW W/SB 6 X 1.375....	4
9	6888GT	SCREW,HHC,1/4-20 X 1.....	2	26	6086GT	NUT,LP NYLOCK,1/2-13.....	4
10	6638GT	WASHER,FLAT,USS,1/4"Y.....	2	27	16415GT	LEG W/HANDLE-2115 L.J.-24".....	1
11	6090GT	SCREW,HHC,1/4-20 X .75.....	2	27	16416GT	LEG W/HANDLE-2120 L.J.-30".....	1
12	2401GT	1/4 X 5.5 TURNBUCKLE(EYE+HOOK)...	2	27	16417GT	LEG W/HANDLE-2125 L.J.-30".....	1
13		CABLE KIT-2120 LEVELING JACK.....	1	27	16418GT	LEG W/HANDLE-2130 L.J.-30".....	1
		<i>component no longer available</i>		27	21160GT	LEG WELD.W/PIN-24"HOIST/TWR.LJ....	3
14	2252GT	LEVELING JACK ASSY-TOWER/HOIST.....	4			<i>All Legs Incl. Part #34-#37</i>	
		<i>Incl. Index #15-#24</i>		27	21161GT	LEG WELD.W/PIN-30"HOIST/TWR.LJ....	3
14	6091GT	NUT,NYLOCK,1/4-20.....	1	28	2211GT	VALVE,QUICK EXHAUST (HOIST).....	1
		<i>Incl. w/#13</i>		29	20516GT	ELBOW,130238-4-4.....	2
15	6179GT	SCREW,RHM,10-32 X 1.25.....	1	30	20515GT	NIPPLE,1/4 MPT X 1.5",BRASS.....	2
		<i>Number shown refers to the quantity per Leveling Jack Assembly. Refer to P.N. 2252 for quantity per unit.</i>		31	2206GT	QUICK DISCON.SCKT #1100 1/4MPT...	1
16	6178GT	NUT,NYLOCK,10-32.....	1	32	2221GT	BASE CASTING-TOWER/HOIST,DRILL.....	1
		<i>Number shown refers to the quantity per Leveling Jack Assembly. Refer to P.N. 2252 for quantity per unit.</i>		33	21158GT	LEG TUBE W/PIN-24"HOIST/TOWER....	3
17	6708GT	SCREW,HHC,3/8-16 X 2.25.....	1			<i>All Legs Incl.Part #34-#37</i>	
		<i>Number shown refers to the quantity per Leveling Jack Assembly. Refer to P.N. 2252 for quantity per unit.</i>		33	21159GT	LEG TUBE W/PIN-30"HOIST/TOWER....	3
18	6082GT	HANDLE BALL KNOB.....	1	33	2229GT	LEG ASSY. 24" W/HANDLE--2012--.....	1
		<i>Number shown refers to the quantity per Leveling Jack Assembly. Refer to P.N. 2252 for quantity per unit.</i>		33	2456GT	LEG ASSY.,30" W/HANDLE--2120--.....	1
19	4828GT	NUT,NYLOCK,3/8-16.....	2	33	2457GT	LEG ASSY.,30" W/HANDLE--2125--.....	1
		<i>Number shown refers to the quantity per Leveling Jack Assembly. Refer to P.N. 2252 for quantity per unit.</i>		33	2458GT	LEG ASSY.,30" W/HANDLE--2130--.....	1
				34	6271GT	RIVET,STL,STL.MAN,P,.25 X .25.....	4
				35	2238GT	CABLE OVAL SLEEVE, 1/16.....	9
				36	2223GT	LANYARD ASSY HOIST/AWP-7***.....	4
				37	11064GT	PIN,BALL RET.-.25 X 2.5.....	4
				38	2098GT	DECAL,DOWN SPEED.....	1

104.1 Base Assembly
(continued)

Item	Part No.	Description	Qty.
39	2181GT	CO2 TANK MT.BRKT.WELD.-(EURO).....1 <i>Europe</i>	
39	2184GT	CO2 TANK MT.BRKT.WELD.-(JAPAN).....1 <i>Japan</i>	
39	2310GT	MOUNTING BRKT.ASSY-DOMES.CO2...1 <i>Domestic</i>	
40	2313GT	CLAMP SET(PAIR)20LB CO2 TANK%%.....1	
40	2314GT	CLAMP SET-(PAIR),10LB CO2 TANK.....1	
40	2316GT	CLAMP SET-(PAIR),*JAPAN* CO2.....1 <i>Japan</i>	

The Part Number Index is a numeric index of all part numbers included in this manual. The index shows what page(s) the part is used on.

Part Number	Page	Part Number	Page
10258GT	17-18	2275GT	17-18
11064GT	17-18	2277GT	17-18
124163GT	17-18	2278GT	17-18
16415GT	17-18	2279GT	17-18
16416GT	17-18	2310GT	18
16417GT	17-18	2313GT	18
16418GT	17-18	2314GT	18
2032GT	13	2316GT	18
2033GT	13	2320GT	15
2037GT	13	2322GT	15
2038GT	13	2323GT	15
2042AGT	13	2324GT	15
2042GT	13	2325GT	15
2043GT	13	2326GT	15
2044GT	13	2327GT	15
2047GT	13	2328GT	15
2048GT	13	2329GT	15
20515GT	17-18	2330GT	15
20516GT	17-18	2331GT	15
2052AGT	13	2332GT	15
2052GT	13	2333GT	15
2053GT	13	2335GT	15
2054GT	13	2336GT	15
2057GT	13	2343GT	15
2058GT	13	2346GT	15
2062AGT	13	2348GT	15
2062GT	13	2370GT	15
2063GT	13	2371GT	15
2064GT	13	2373-SGT	15
2067GT	13	2401GT	17-18
2068GT	13	2453GT	15
2071-20AGT	13	2456GT	17-18
2072AGT	13	2457GT	17-18
2072GT	13	2458GT	17-18
2073GT	13	42338GT	15
2074GT	13	4317GT	17-18
2077GT	13	4828GT	17-18
2078GT	13	6066GT	17-18
2082AGT	13	6082GT	17-18
2082GT	13	6086GT	17-18
2083GT	13	6090GT	17-18
2084GT	13	6091GT	17-18
2087GT	13	6124GT	17-18
2088GT	13	6175GT	17-18
2092AGT	13	6178GT	17-18
2092GT	13	6179GT	17-18
2094GT	13	6271GT	17-18
2095GT	13, 15	6638GT	17-18
2098GT	17-18	6700GT	17-18
21134GT	15	6708GT	17-18
21158GT	17-18	6888GT	17-18
21159GT	17-18	8214	17-18
21160GT	17-18		
21161GT	17-18		
2153GT	15		
2155GT	15		
2156GT	13		
2167GT	15		
2168GT	15		
2174GT	17-18		
2181GT	18		
2184GT	18		
2206GT	17-18		
2211GT	17-18		
2221GT	17-18		
2223GT	17-18		
2229GT	17-18		
2231GT	17-18		
2232GT	17-18		
2233GT	17-18		
2238GT	17-18		
2240GT	13		
2252GT	17-18		
2257GT	13		
2273GT	17-18		

Part Description Index

The Part Description Index is an alphabetical index of all part descriptions included in this manual. The index shows what page(s) the part is used on.

1	FOOTPAD SERVICE KIT.....17-18	P
1/4 X 5.5 TURNBUCKLE(EYE+HOOK).....17-18	G	PIN,BALL RET.-.25 X 2.5.....17-18
4	GT HEAD CASTING--DRILLED--.....17-18	PISTON 4TH STAGE.....13
4th Stage Tube, 50.375", 2115.....13	H	PISTON W/PLUG-15 FT. #4.....13
7	H A N D C O N T R O L	PISTON W/PLUG-20 FT. #5.....13
7th Stage Tube, 57.0", 2130.....13	ASSEMBLY,COMPLETE.....15	PISTON W/PLUG-25 FT. #6.....13
A	HAND WRENCH CASTING.....15	PISTON, 2ND STAGE.....13
ADAPTER, 1/4NPT-M TO 3/16 BARB.....15	HANDLE BALL KNOB.....17-18	PISTON, 3RD STAGE.....13
B	HANDLE,LEVELING JACK,SHRT-ZINC.....17-18	PISTON, 5TH STAGE.....13
Base Assembly Refer to Figure 4.....11	HEAD CASTING.....17-18	PISTON, 6TH STAGE.....13
BASE CASTING-TOWER/HOIST,DRILL.....17-18	HEAD CASTING,GT/GH--DRILLED--.....17-18	PISTON-7TH STAGE.....13
BASE PISTON.....13	HEAD CASTING-2125.....17-18	PLUG,HEX HEAD,1/4 MPT BRASS.....15
BUSHING,130140-4-2.....15	HOSE & HAND CONTROL ASSY.TOWER...15	Pneumatic Power Assembly Refer to Figure 3.....11
C	HOSE CRIMP,.5 O.D.....15	Pressure Regulator.....15
CABLE KIT-2120 LEVELING JACK.....17-18	HOSE-3/16,RUBBER,DUAL WELD-BUL.....15	Q
CABLE OVAL SLEEVE, 1/16.....17-18	L	QUICK DISCON. PLUG 1/4 MPT #10.....15
CASTER, POST SW W/SB 6 X 1.375.....17-18	LANYARD ASSY HOIST/AWP-7***.....17-18	QUICK DISCON.PLUG 3/16 HS #189.....15
CLAMP SET(PAIR)20LB CO2 TANK%%.....18	LEG ASSY. 24" W/HANDLE--2012--.....17-18	QUICK DISCON.SCKT #1100 1/4MPT.....17-18
CLAMP SET(PAIR),*JAPAN* CO2.....18	LEG ASSY,.30" W/HANDLE--2120--.....17-18	QUICK DISCONNECT SOCKET W/VALV.....15
CLAMP SET(PAIR),10LB CO2 TANK.....18	LEG ASSY,.30" W/HANDLE--2125--.....17-18	R
CLAMP WELDMENT-LVL. JACK CABLE.....17-18	LEG ASSY,.30" W/HANDLE--2130--.....17-18	REGULATOR ASSY-DOMESTIC HOIST1.....15
CO2 TANK MT.BRKT.WELD.-(EURO).....18	LEG TUBE W/PIN-24"HOIST/TOWER.....17-18	REGULATOR ASSY-METRIC,125 PSI.....15
CO2 TANK MT.BRKT.WELD.-(JAPAN).....18	LEG TUBE W/PIN-30"HOIST/TOWER....17-18	RETAINER RING - 2 1/2".....13
CO2 TANK W/CARTON,20LB EMPTY.....15	LEG W/HANDLE-2115 L.J.-24".....17-18	RETAINER RING - 2 1/4".....13
CONN,BR,SWIVEL,1/4FPT-3/16 HB.....15	LEG W/HANDLE-2120 L.J.-30".....17-18	RETAINER RING - 2 3/4".....13
CONN.,INLET STEM,B.**.....15	LEG W/HANDLE-2125 L.J.-30".....17-18	RETAINER RING - 3 5/8".....13
CONNECTOR,B,1/4 FPT 3/16 HS.....15	LEG W/HANDLE-2130 L.J.-30".....17-18	RETAINER RING / 3 1/4".....13
CONTROL HOSE ASSY-TOWER.....15	LEG WELD.W/PIN-24"HOIST/TWR.LJ.....17-18	RETAINER RING / 3".....13
CONTROL VALVE,A,1/4-1/4 FPT.....15	LEG WELD.W/PIN-30"HOIST/TWR.LJ.....17-18	RIVET,STL,STL.MAN,P,.25 X .25.....17-18
Cylinder Assembly Refer to Figure 2.....11	LEVELING JACK ASSY-TOWER/HOIST.....17-18	S
CYLINDER ASSEMBLY-30FT TOWER.....13	M	Screw Jack - 12.0".....17-18
D	MOUNTING BRKT.ASSY-DOMES.CO2.....18	SCREW,HHC,1/4-20 X .75.....17-18
Decal "Serial #, Model #, 2130, 2125, 2120, 2115.....17-18	N	SCREW,HHC,1/4-20 X 1.....17-18
DECAL,DOWN SPEED.....17-18	NIPPLE,1/4 MPT X 1.5",BRASS.....17-18	SCREW,HHC,3/8-16 X 1.....17-18
DECAL,GT,GH,"200 MAX LOAD.....17-18	NIPPLE,CLOSE, ST, 1/4 MPT X 1.....15	SCREW,HHC,3/8-16 X 2.25.....17-18
DECAL,GT,GH,"250 MAX LOAD.....17-18	NIPPLE,ST, 1/4 MPT X 4 1/2.....15	SCREW,RHM,10-32 X .38.....17-18
DECAL,GT,GH,"300 MAX LOAD.....17-18	NUT CO2 CONNECTOR,EUROPE/JAPAN...15	SCREW,RHM,10-32 X 1.25.....17-18
DECAL,GT,GH,"350 MAX LOAD.....17-18	NUT,CO2 CONNECTOR,DOMESTIC.....15	SCREW,SET,HS 10-32 X.25.....13, 15
DECAL,TOWER "NO RIDERS".....17-18	NUT,LP NYLOCK,1/2-13.....17-18	SEAL KIT,7 STAGE HOIST-COMP.....13
DOWN BUTTON ASSEMBLY.....15	NUT,NYLOCK,1/4-20.....17-18	STRIP-#2 PISTON-10.063".....13
E	NUT,NYLOCK,10-32.....17-18	STRIP-#3 PISTON-9.5".....13
ELBOW,130238-4-4.....17-18	NUT,NYLOCK,3/4-10,GRD.2.....17-18	STRIP-#4 PISTON-8.5".....13
F	NUT,NYLOCK,3/8-16.....17-18	STRIP-#5 PISTON-7.688".....13
FELT DUST SEAL / 2 1/2".....13	O	STRIP-#6 PISTON-7.188".....13
FELT DUST SEAL / 2 1/4".....13	O-RING RETAINER RING.....15	STRIP-#7 PISTON-6.5".....13
FELT DUST SEAL / 2 3/4".....13	O-RING, 1.75 X .188 <2-327>.....13	T
FELT DUST SEAL / 3 1/4".....13	O-RING, 2 X .210 <2-329>.....13	TUBE ASSEMBLY-2120 2ND STAGE.....13
FELT DUST SEAL / 3 1/4".....13	O-RING, 2.25 X .210 <2-331>.....13	TUBE ASSEMBLY-2120 BASE.....13
FELT DUST SEAL / 3 5/8" %%.....13	O-RING, 2.5 X .210 <2-333>.....13	TUBE ASSEMBLY-2125 3RD STAGE.....13
FELT DUST SEAL / 3".....13	O-RING, 2.75 X .210 <2-335>.....13	TUBE ASSEMBLY-2125 4TH STAGE.....13
	O-RING, 3.125 X .125 <2-235>.....13	TUBE ASSEMBLY-2130 5TH STAGE.....13
	O-RING,.375 X .125.....15	TUBE ASSEMBLY-2130 6TH STAGE.....13
		TUBE ASSEMBLY-2130 5TH STAGE(BLK)53.62".....13
		U
		U-CUP, #27 1.75 X .313 X .313.....13
		U-CUP, #31, 2 X .313 X .313.....13

U-CUP, #33, 2.25 X .313 X .313.....13
U-CUP, #35, 2.5 X .313 X .313.....13
U-CUP, #37, 2.625 X .375 X .375.....13
U-CUP,#29 1.875 X .313 X .313.....13

V

VALVE MANIFOLD.....15
VALVE,PRESSURE RELEASE, 1/4".....15
VALVE,QUICK EXHAUST (HOIST).....17-18

W

WASHER,FLAT,USS,1/4"Y.....17-18
WASHER,STAR,EXTERNAL,,375.....17-18

This Page Intentionally Left Blank

California Proposition 65



WARNING

Operating, servicing and maintaining this equipment can expose you to chemicals including engine exhaust, carbon monoxide, phthalates, and lead, which are known to the State of California to cause cancer and birth defects or other reproductive harm. These chemicals can be emitted from or contained in other various parts and systems, fluids and some component wear by-products. To minimize exposure, avoid breathing exhaust, do not idle the engine except as necessary, service your equipment and vehicle in a well-ventilated area and wear gloves or wash your hands frequently when servicing your equipment or vehicle and after operation. For more information go to www.P65Warnings.ca.gov/passenger-vehicle.

Parts Manual

Genie Tower

(from serial number 0684-2326 to 0688-2646)

Part No.
20941

Rev A2

Genie
A TEREX BRAND