



A TEREX BRAND

Parts Manual

Serial Number Range

Super Hoist

from SN 4193-93 to 4101-8906

from SN GH02-8907 to
GH16-59748

from SN GH16G-59749 to
GH16G-61099

from SN GHG-61100 to
GHG-64198

from SN GHP-64199

Part No. 82298

Rev E12

November 2018

Technical Publications

Genie has endeavored to deliver the highest degree of accuracy possible. However, continuous improvement of our products is a Genie policy. Therefore, product specifications are subject to change without notice.

Readers are encouraged to notify Genie of errors and send in suggestions for improvement. All communications will be carefully considered for future printings of this and all other manuals.

Contact Us:

Internet: www.genielift.com
e-mail: awp.techpub@terex.com


Find a Manual for this Model

Go to <http://www.genielift.com>

Use the links to locate Operator's, Parts, Maintenance, and Service and Repair Manuals.

Copyright © 2011 by Terex Corporation
82298 Rev E April 2016
Fourth Edition, Fifth Printing

Genie is a registered trademark of Terex South Dakota, Inc. in the USA and many other countries. "Super Hoist" is a trademark of Terex South Dakota, Inc.

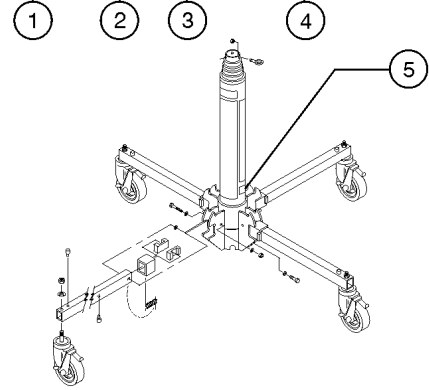
 Printed on recycled paper

To August 31, 2016

Genie
A TEREX BRAND

Manufacturer: Terex South Dakota 500 Oakwood Road Watertown, SD 57201 USA	European Representative: Genie UK LTD The Maltings Watrf Road, Grantham, Lin NG31 6BH United Kingdom
Model:	Serial number: GH16G-12345
Manufacture date: 1/2/16	Model year: 2016
Electrical schematic number:	
Country of manufacture:	

GH 16 G - 12345



- 1 Model
- 2 Model year
- 3 Facility code

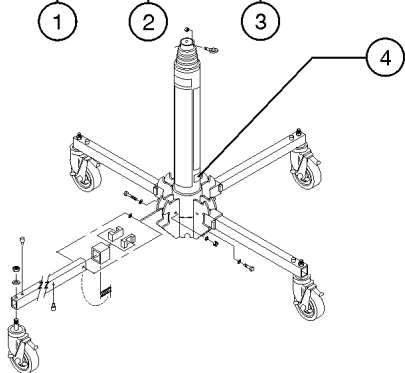
- 4 Sequence number
- 5 Serial label

From September 1, 2016

Genie
A TEREX BRAND

Manufacturer: Terex South Dakota 500 Oakwood Road Watertown, SD 57201 USA	European Representative: Genie UK LTD The Maltings Watrf Road, Grantham, Lin NG31 6BH United Kingdom
Model:	Serial number: GHG-12345
Year of Manufacture: 2016	
Electrical schematic number:	
Country of manufacture:	

GH G - 12345



- 1 Model
- 2 Facility code
- 3 Sequence number

- 4 Serial label

Table of Contents

This manual is updated frequently. If you have a printed manual, you can keep it up to date by downloading new figures from the Genie website at www.genielift.com. For the most up-to-date parts information, visit the Parts Lookup System on the Genie website at www.genielift.com.

How to Read Your Serial Number.....3
Parts Stocking List.....7
How to Order Parts.....8
Service Parts Fax Order Form.....9

Electronic Version
Click on any page number to view the figure.

Base Component
101.1 Base Tube Assembly.....10
102.1 Platform Assembly.....12
103.1 Control Handle Assembly.....14

Indices
Part Number Index.....16
Part Description Index.....17

Cross References
Fittings Cross Reference.....18

This Page Intentionally Left Blank

Recommended Parts

Description	Part No.
Genie Blue Paint, 1 Gallon	32150
Genie Blue Paint, 12 Ounce Aerosol.....	1484
Genie Gray Paint, 1 Gallon.....	32151
Genie Gray Paint, 12 Ounce Aerosol	1268

Manuals

Genie Industries offers the following support documents for these models:

Title	Part No.
EMI Safety Manual	27581
Manual of Responsibilities	
ANSI A92.5	31587

How To Order Parts

How to Order Parts

Please be prepared with the following information when ordering replacement parts for your Terex or Genie product.

- Machine model number
- Machine serial number
- Part number
- Part description and quantity
- Purchase order number
- "Ship to" address
- Desired method of shipment
- Name and telephone number of the authorized distributor in your area.

Use the Service Parts Fax Order Form on the next page and fax your order to our Parts Department.

If you don't know the name of your authorized distributor, or if your area is not currently serviced by an authorized distributor, please call Terex or Genie Industries.

Machine Information

Model

Serial Number

Date of Purchase

Authorized Genie Distributor

Phone Number

North America

Telephone (425)881-1800
 Toll Free (800)536-1800 in US and Canada
 Fax (425)556-8659
 Toll Free fax (888)274-6192
 Email AWP.PartsSalesPO@terex.com
<http://genielift.com/en>

EMEAR (Europe, Middle East, Africa and Russia)

Telephone (31)(165)519 313
 Fax (31)(165)511 148
<http://genielift.co.uk>

Asia Pacific (Genie Singapore)

Telephone +65 6692 7777
 Fax +65 6261 8893
<http://genielift.com.sg/>

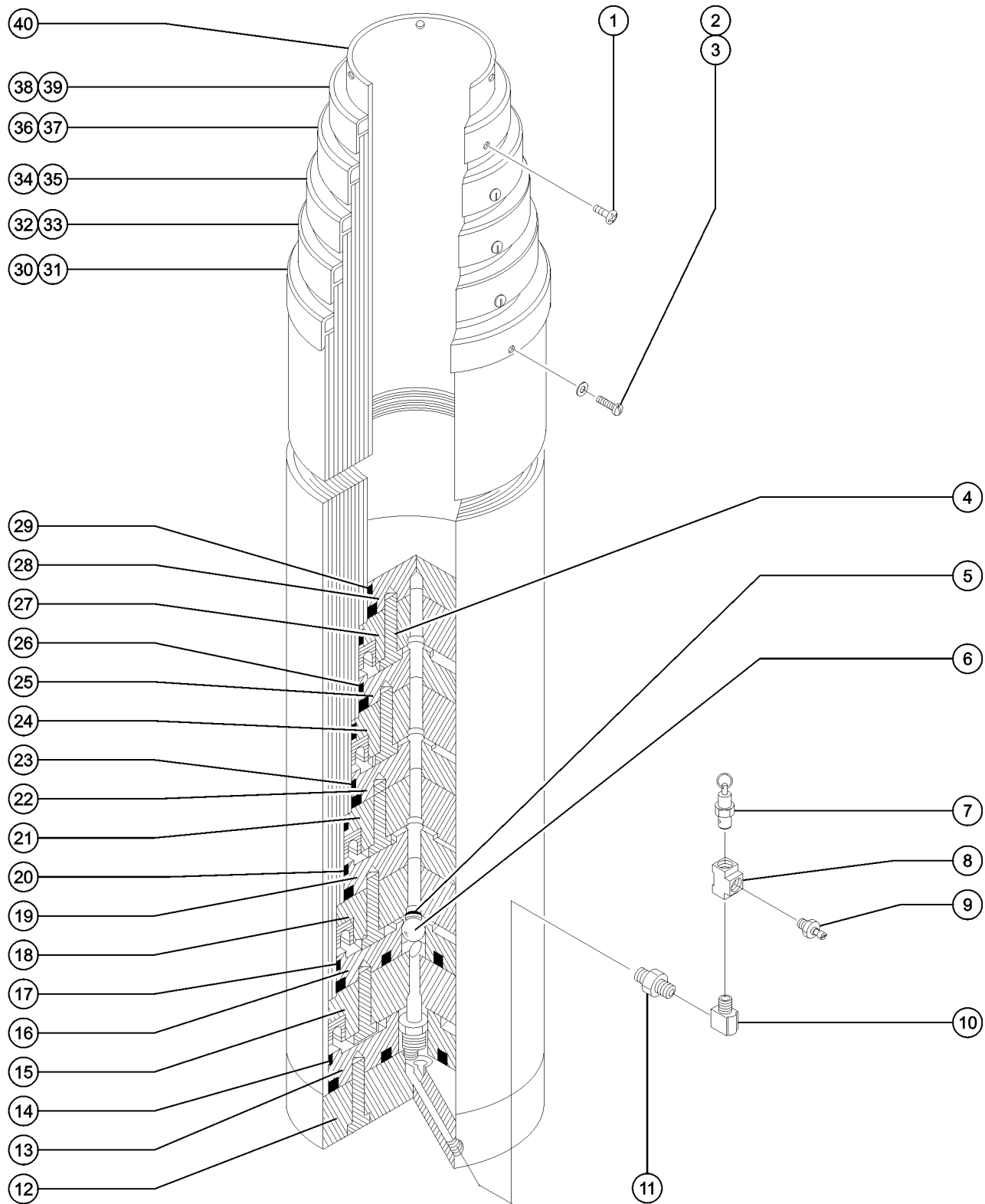
Australia

Telephone (61)(7)3456 4444
 Fax (61)(7)3456 4466
<http://genielift.com.au>

South America

Telephone (55)(11)4082 5600
 Fax (55)(11)4082 5630

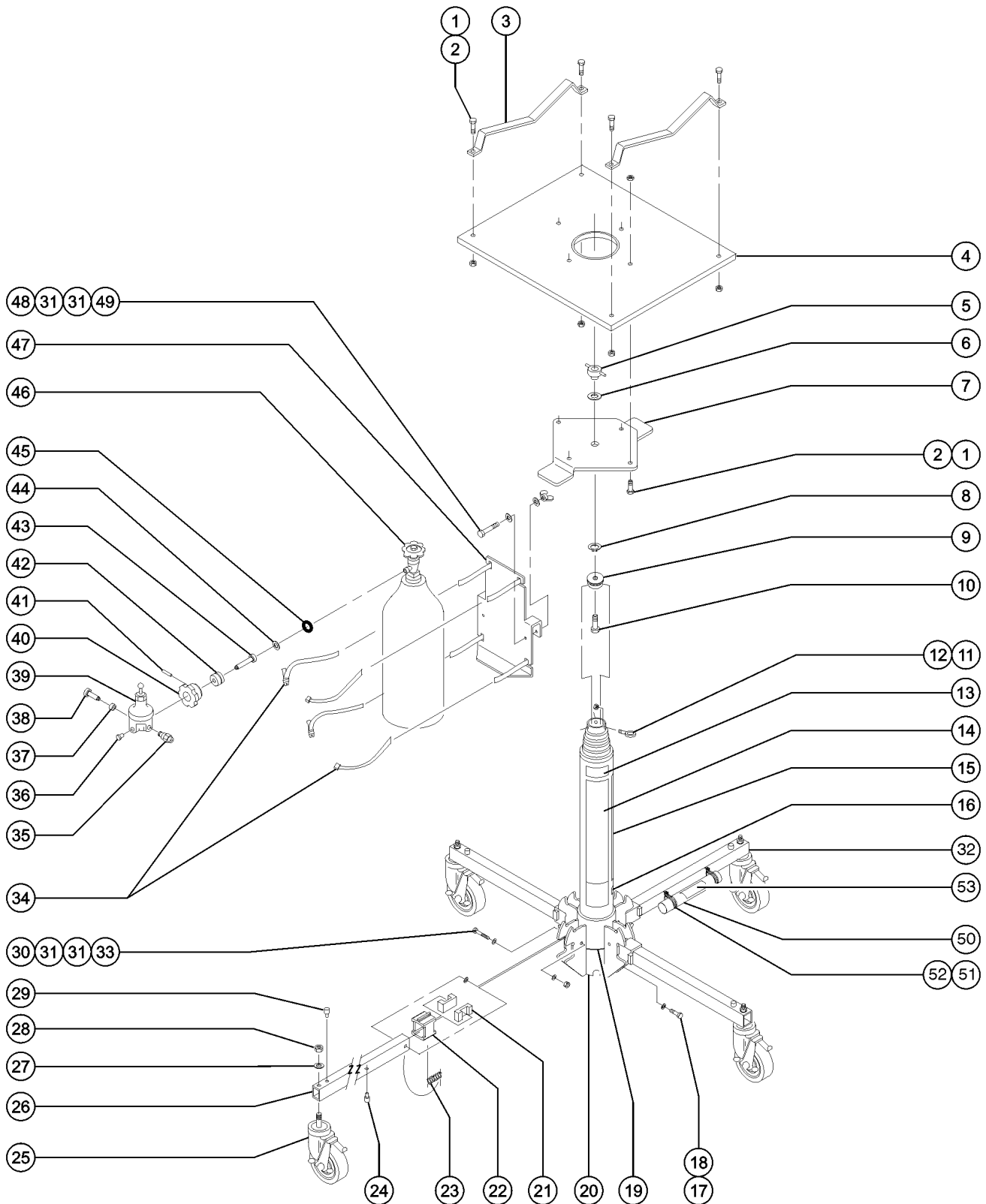
101.1 Base Tube Assembly



101.1 Base Tube Assembly

Item	Part No.	Description	Qty.	Item	Part No.	Description	Qty.
--	32228GT	CYLINDER ASSY,3.8M,HOIST III (3.8 m models) (includes items 1through 6 and 12 through 40)		30	22566GT	FELT RETAINER RING,#1.....1	1
--	32229GT	CYLINDER ASSY,5.6M,HOIST III (5.6 m models) (includes items 1through 6 and 12 through 40)		31	32231GT	TUBE ASSY,BASE,3.8M,HOIST III.....1 (3.8 m models)	1
--	23159GT	SEAL KIT COMPLETE-HOIST (includes Felt Dust Wiper Kit)		31A	32233GT	TUBE ASSY,BASE,5.6M,HOIST III (5.6 m models)	1
--	32240GT	FELT DUST WIPER KIT		32	22567GT	FELT RETAINER RING,#2.....1	1
1	22542GT	M4 X 5 PHILLIPS (CHEESEHEAD) (all models)		33	23145GT	TUBE ASSY,2ND STAGE,H-II 3.8.....1 (3.8 m models)	1
2	22731GT	M5 X 6 SHCS SS,MACHINED HEAD** (all models)		33A	23150GT	TUBE ASSY,2ND STAGE,H-II 5.6M (5.6 m models)	1
3	6607GT	WASHER,LOCK,#10 PLTD		34	22568GT	FELT RETAINER RING,#3.....1	1
4	22545GT	SCREW,SHC,M6 X 30MM,GR8.8,LP**.....15	15	35	23146GT	TUBE ASSY,3RD STAGE,H-II 3.8M.....1 (3.8 m models)	1
4A	22544GT	SCREW,SHC,M6 X 25MM,GR8***4 (base position only)	4	35A	23151GT	TUBE ASSY,3RD STAGE,H-II 5.6M (5.6 m models)	1
5	22546GT	RETAINER RING,PUSH-ON,.50,6PRG...1	1	36	22569GT	FELT RETAINER RING,#4.....1	1
6	2049GT	7/16 / 11.11 MM BALL.....1	1	37	23147GT	TUBE ASSY,4TH STAGE,H-II 3.8M.....1 (3.8 m models)	1
7	22584GT	VALVE,PRES.RELIEF,1/8NPT 90PSI.....1	1	37A	23152GT	TUBE ASSY,4TH STAGE,H-II 5.6M (5.6 m models)	1
8	33284GT	TEE,INLET.....1	1	38	22570GT	FELT RETAINER RING,#5.....1	1
9	2205GT	QUICK DISCONNECT PLUG/#185.....1	1	39	23148GT	TUBE ASSY,5TH STAGE,H-II 3.8M.....1 (3.8 m models)	1
10	22585GT	ELBOW,130239-2-2.....1	1	39A	23153GT	TUBE ASSY,5TH STAGE,H-II 5.6M (5.6 m models)	1
11	32322GT	NIPPLE,HEX,130137-2.....1	1	40	22565GT	TUBE,#6, HOIST II 3.8.....1 (3.8 m models)	1
12	23155GT	BASE PISTON ASSY,HOIST II.....1	1	40A	22757GT	TUBE,#6, HOIST II 5.6 (5.6 m models)	1
--	14689GT	BALL-STEEL BEARING,.25 DIA.					
--	23041GT	WASHER,STAR,EXTERNAL,.312					
--	23178GT	PROBE ASSY,HOIST II					
13	22765GT	PISTON-UPPER,BASE.....1	1				
14	22551GT	PISTON RETAINER RING,#1					
15	22760GT	PISTON-LOWER,#2.....1	1				
16	22766GT	PISTON-UPPER,#2.....1	1				
17	22552GT	PISTON RETAINER RING,#2.....1	1				
18	22761GT	PISTON-LOWER,#3.....1	1				
19	22767GT	PISTON-UPPER,#3.....1	1				
20	22553GT	PISTON RETAINER RING,#3.....1	1				
21	22762GT	PISTON-LOWER,#4.....1	1				
22	22768GT	PISTON-UPPER,#4.....1	1				
23	22554GT	PISTON RETAINER RING,#4.....1	1				
24	22763GT	PISTON-LOWER,#5.....1	1				
25	22769GT	PISTON-UPPER,#5.....1	1				
26	22555GT	PISTON RETAINER RING,#5.....1	1				
27	22764GT	PISTON-LOWER,#6.....1	1				
28	22781GT	PISTON-UPPER,#6.....1	1				
29	22556GT	PISTON RETAINER RING,#6.....1	1				

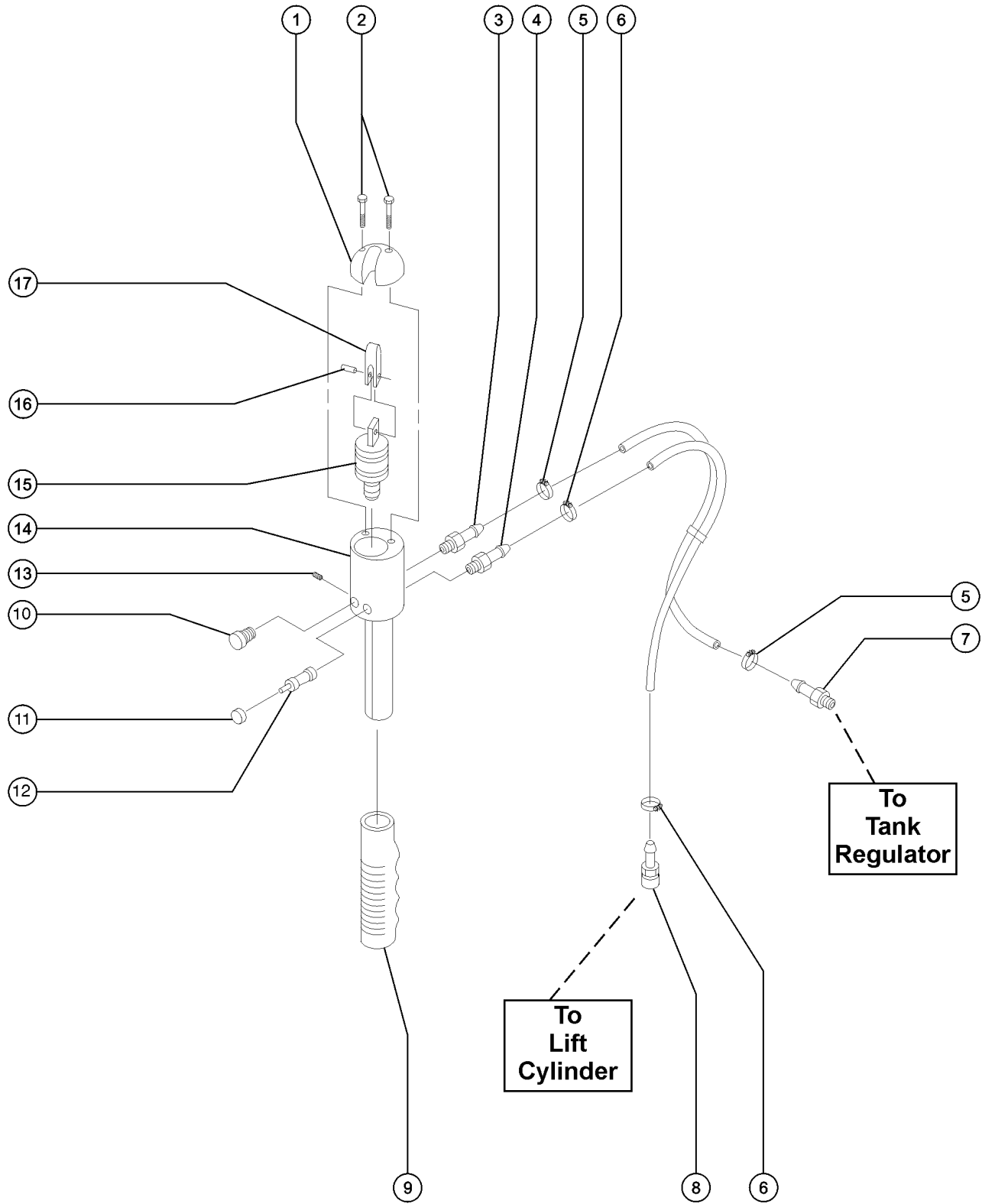
102.1 Platform Assembly



102.1 Platform Assembly

Item	Part No.	Description	Qty.	Item	Part No.	Description	Qty.
--	23051GT	ACCESSORY,HOIST II PLAT.CRADLE <i>includes items 1, 2 and 3</i>		33	25368GT	NUT,NYLOCK,M8X1.25	
1	22578GT	SCREW,HHC,M6 X 20MM,GR8.8.....	4	34	35052GT	STRAP ASSY,CO2 TANK HOLD DOWN.....	2
2	22577GT	NUT,T,M6.....	4	35	2328GT	VALVE,PRESSURE RELEASE, 1/4".....	1
3	80598GT	PIPE CRADLE, GRAY HOIST..... <i>to GH03-11068</i>	2	36	2327GT	PLUG,HEX HEAD,1/4 MPT BRASS.....	1
4A	23170GT	PLAT. ASSY,HOIST II..... <i>includes items 1, 2 and 5-8</i>	1	37	2326GT	BUSHING,130140-4-2.....	1
4B	23171GT	PLYWOOD,W/NYLON INSERT,HOISTII		38	2322GT	QUICK DISCONNECT SOCKET W/VALV.....	1
5	23172GT	PLATFORM MT.KIT,HOIST II..... <i>includes items 6 and 8</i>	1	39A	2167GT	REGULATOR ASSY-METRIC,125 PSI.... <i>includes items 35-38, 40 and 42-45</i>	1
6	6563GT	WASHER,SHIM,.75 X 1.125 X.030.....	1	39B	2320GT	REGULATOR ASSY-DOMESTIC HOIST1 <i>includes items 35-38, 40 and 42-45</i>	1
7	22574-SGT	SUPPORT PLATE-HOIST III ,GRAY.....	1	39C	2451GT	DIAPHRAM-PWR REG (POST 1983)	
8	10262GT	SNAP RING,EXTERNAL,.75 DIA.....	1	40	2325GT	HAND WRENCH CASTING.....	1
9	22557GT	PLUG-PLATFORM MOUNTING.....	1	41	2095GT	SCREW,SET,HS 10-32 X.25	
10	22558GT	SCREW,HHC,M14 X 40MM,GR 8.8.....	1	42A	2324GT	NUT,CO2 CONNECTOR,DOMESTIC.....	1
11	22588GT	EYEBOLT,M8 X 30M		42B	2329GT	NUT CO2 CONNECTOR,EUROPE/JAPAN	
12	22571GT	NUT,HEX,M8 X 1.25		43	2323GT	CONN.,INLET STEM,B.**.....	1
13	38149GT	DECAL,LABEL,PATENTS.....	1	44	2371GT	O-RING RETAINER RING.....	1
14	32305GT	DECAL,SAFETY,HOIST SUPER.....	1	45	2370GT	O-RING,.375 X .125.....	1
15	52980GT	DECAL,COSMTC,GENIE SUPER HOIST.....	1	46	2373-SGT	CO2 TANK W/CARTON,20LB EMPTY.....	1
16	33951GT	DECAL,CE MARK.....	1	--	33738GT	HANDLE GUARD,CO2 TANK-LUXFER	
17	23057GT	SCREW,HHC,M8 X 20MM.....	3	--	33739GT	HANDLE GUARD,CO2TANK-CATALINA	
18	6886GT	WASHER,LOCK,.313		47	28054-SGT	BRACKET,AIR BOTTLE,PAINTED.....	1
19	32238GT	BASE CASTING,UPPER,HOIST III.....	1	48	6637GT	SCREW,HHC,1/4-20 X 1.75	
20	32239GT	BASE CASTING,LOWER,HOIST III.....	1	49	8170GT	NUT,WING,1/4-20	
21	31980GT	SLIDER,WEAR PAD.....	8	50	6600GT	INSTRUCT.TUBE W/CAPS-1.75 X 12....	1
22	32234GT	LEG LOCK ASSY,HOIST III..... <i>includes items 21 and 23</i>	4	--	31822GT	CAP,INSTRUCTION TUBE (RED).....	2
23	31955GT	SPRING,SLIDER.....	4	51	6653GT	CLAMP,1.88,#30 X 1/4,RUB CUSH.....	2
24	19352GT	RIVET-DRIVE-BARREL HEAD-NYLON.....	4	52	1253915GT	SCREW,6-LOVE,PHM8-32 X 3/4".....	2
25	57749GT	CASTER,POST,SW,5X1.25,M12X1.75...4		53	31072GT	DECAL,LABEL,OPER.MAN.STORAGE..1	
26	1257478GT	LEG ASSEMBLY,HOIST III..... <i>includes items 21-29; replaced 32235</i>	3				
--	1254830GT	LEG,HOIST III <i>replaced 31952-S</i>					
27	6033GT	WASHER,LOCK,0.5".....	4				
28	23270GT	NUT,HEX,M12,LP,PLATED.....	4				
29	29849GT	BUMPER,RUBBER,1" TALL X 3/8 DIA....	4				
30	32309GT	SCREW,HHC,M8 X 60MM X 1.25.....	4				
31	6638GT	WASHER,FLAT,USS,1/4"Y.....	12				
32	1259571GT	LEG ASSEMBLY,HOIST III, MANUAL.... <i>includes items 21-25, 27-29, and 50-52</i>	1				
--	1259449GT	LEG, HOIST III , MANUAL TUBE..... <i>pre-drilled for instruction tube</i>	1				

103.1 Control Handle Assembly



103.1 Control Handle Assembly

Item	Part No.	Description	Qty.
--	32237GT	HOSE/HAND CNTRL ASSY,HOIST III <i>(includes items 1 through 17)</i>	
--	23177GT	HOSE ASSY,W/FITTINGS,HOIST II <i>(includes items 3 through 8)</i>	
--	32236GT	CONTROL HANDLE ASSY,HOIST III* <i>(does not include items 7 and 8)</i>	
1	32291GT	COVER,CONTROL HANDLE.....	1
2	32328GT	SCREW,SHC,10-32 X .5	
3	23257GT	HOSE END,MALE.188HS X.125MPT.....	1
4	22737GT	HOSE END,MALE .25 X .125 MPT.....	1
5A	31982GT	CLAMP,HOSE,1 EAR, 15/32..... <i>(to SN 53458)</i>	2
5B	226793GT	CLAMP,HOSE,1 EAR,12.8RER <i>(from SN 53459)</i>	
6	31983GT	CLAMP,HOSE,1 EAR, 9/16.....	2
7	2346GT	QUICK DISCON.PLUG 3/16 HS #189.....	1
8	23025GT	SOCKET,QUICK DISCONN.,MACHINED.....	1
9	235184GT	GRIP,HANDLE.....	1
10	2336GT	DOWN BUTTON ASSEMBLY.....	1
11	22594GT	ACTUATOR BUTTON,2-WAY VALVE.....	1
12	22593GT	VALVE BODY-2 WAY PNEUMATIC.....	1
13	2095GT	SCREW,SET,HS 10-32 X.25	
14	32290GT	CONTROL HANDLE.....	1
15	32241GT	VALVE,EXHAUST.....	1
16	32242GT	PIN,ROLL,.094 X .375.....	1
17	32300GT	LEVER,DUMP VALVE.....	1

Part Number Index

The Part Number Index is a numeric index of all part numbers included in this manual. The index shows what page(s) the part is used on.

Part Number	Page	Part Number	Page
10262GT	13	2323GT	13
1253915GT	13	2324GT	13
1254830GT	13	23257GT	15
1257478GT	13	2325GT	13
1259449GT	13	2326GT	13
1259571GT	13	23270GT	13
14689GT	11	2327GT	13
19352GT	13	2328GT	13
2049GT	11	2329GT	13
2095GT	13, 15	2336GT	15
2167GT	13	2346GT	15
2205GT	11	235184GT	15
22542GT	11	2370GT	13
22544GT	11	2371GT	13
22545GT	11	2373-SGT	13
22546GT	11	2451GT	13
22551GT	11	25368GT	13
22552GT	11	28054-SGT	13
22553GT	11	29849GT	13
22554GT	11	31072GT	13
22555GT	11	31822GT	13
22556GT	11	31955GT	13
22557GT	13	31980GT	13
22558GT	13	31982GT	15
22565GT	11	31983GT	15
22566GT	11	32228GT	11
22567GT	11	32229GT	11
22568GT	11	32231GT	11
22569GT	11	32233GT	11
22570GT	11	32234GT	13
22571GT	13	32236GT	15
22574-SGT	13	32237GT	15
22577GT	13	32238GT	13
22578GT	13	32239GT	13
22584GT	11	32240GT	11
22585GT	11	32241GT	15
22588GT	13	32242GT	15
22593GT	15	32290GT	15
22594GT	15	32291GT	15
226793GT	15	32300GT	15
22731GT	11	32305GT	13
22737GT	15	32309GT	13
22757GT	11	32322GT	11
22760GT	11	32328GT	15
22761GT	11	33284GT	11
22762GT	11	33738GT	13
22763GT	11	33739GT	13
22764GT	11	33951GT	13
22765GT	11	35052GT	13
22766GT	11	38149GT	13
22767GT	11	52980GT	13
22768GT	11	57749GT	13
22769GT	11	6033GT	13
22781GT	11	6563GT	13
23025GT	15	6600GT	13
23041GT	11	6607GT	11
23051GT	13	6637GT	13
23057GT	13	6638GT	13
23145GT	11	6653GT	13
23146GT	11	6886GT	13
23147GT	11	80598GT	13
23148GT	11	8170GT	13
23150GT	11		
23151GT	11		
23152GT	11		
23153GT	11		
23155GT	11		
23159GT	11		
23170GT	13		
23171GT	13		
23172GT	13		
23177GT	15		
23178GT	11		
2320GT	13		
2322GT	13		

The Part Description Index is an alphabetical index of all part descriptions included in this manual. The index shows what page(s) the part is used on.

7
7/16 / 11.11 MM BALL.....11

A
ACCESSORY,HOIST II PLAT.CRADLE.....13
ACTUATOR BUTTON,2-WAY VALVE.....15

B
BALL-STEEL BEARING,.25 DIA.....11
BASE CASTING,LOWER,HOIST III.....13
BASE CASTING,UPPER,HOIST III.....13
BASE PISTON ASSY,HOIST II.....11
BRACKET,AIR BOTTLE,PAINTED.....13
BUMPER,RUBBER,1" TALL X 3/8 DIA.....13
BUSHING,130140-4-2.....13

C
CAP,INSTRUCTION TUBE (RED).....13
CASTER,POST,SW,5X1.25,M12X1.75.....13
CLAMP,1.88,#30 X 1/4,RUB CUSH.....13
CLAMP,HOSE,1 EAR, 15/32.....15
CLAMP,HOSE,1 EAR, 9/16.....15
CLAMP,HOSE,1 EAR,12.8RER.....15
CO2 TANK W/CARTON,20LB EMPTY.....13
CONN.,INLET STEM,B,**.....13
CONTROL HANDLE.....15
CONTROL HANDLE ASSY,HOIST III*.....15
COVER,CONTROL HANDLE.....15
CYLINDER ASSY,3.8M,HOIST III.....11
CYLINDER ASSY,5.6M,HOIST III.....11

D
DECAL,CE MARK.....13
DECAL,COSMTC,GENIE SUPER HOIST.....13
DECAL,LABEL,OPER.MAN.STORAGE.....13
DECAL,LABEL,PATENTS.....13
DECAL,SAFETY,HOIST SUPER.....13
DIAPHRAM-PWR REG (POST 1983).....13
DOWN BUTTON ASSEMBLY.....15

E
ELBOW,130239-2-2.....11
EYEBOLT,M8 X 30M.....13

F
FELT DUST WIPER KIT.....11
FELT RETAINER RING,#1.....11
FELT RETAINER RING,#2.....11
FELT RETAINER RING,#3.....11
FELT RETAINER RING,#4.....11
FELT RETAINER RING,#5.....11

G
GRIP,HANDLE.....15

H
HAND WRENCH CASTING.....13
HANDLE GUARD,CO2 TANK-LUXFER.....13
HANDLE GUARD,CO2TANK-CATALINA.....13
HOSE ASSY,W/FITTINGS,HOIST II.....15
HOSE END,MALE .25 X .125 MPT.....15

HOSE END,MALE.188HS X.125MPT.....15
HOSE/HAND CNTRL ASSY,HOIST III.....15

I
INSTRUCT.TUBE W/CAPS-1.75 X 12.....13

L
LEG ASSEMBLY,HOIST III.....13
LEG ASSEMBLY,HOIST III, MANUAL.....13
LEG LOCK ASSY,HOIST III.....13
LEG, HOIST III, MANUAL TUBE.....13
LEG,HOIST III.....13
LEVER,DUMP VALVE.....15

M
M4 X 5 PHILLIPS (CHEESEHEAD).....11
M5 X 6 SHCS SS,MACHINED HEAD**.....11

N
NIPPLE,HEX,130137-2.....11
NUT CO2 CONNECTOR,EUROPE/JAPAN...13
NUT,CO2 CONNECTOR,DOMESTIC.....13
NUT,HEX,M12,LP,PLATED.....13
NUT,HEX,M8 X 1.25.....13
NUT,NYLOCK,M8X1.25.....13
NUT,T,M6.....13
NUT,WING,1/4-20.....13

O
O-RING RETAINER RING.....13
O-RING,.375 X .125.....13

P
PIN,ROLL,.094 X .375.....15
PIPE CRADLE, GRAY HOIST.....13
PISTON RETAINER RING,#1.....11
PISTON RETAINER RING,#2.....11
PISTON RETAINER RING,#3.....11
PISTON RETAINER RING,#4.....11
PISTON RETAINER RING,#5.....11
PISTON RETAINER RING,#6.....11
PISTON-LOWER,#2.....11
PISTON-LOWER,#3.....11
PISTON-LOWER,#4.....11
PISTON-LOWER,#5.....11
PISTON-LOWER,#6.....11
PISTON-UPPER,#2.....11
PISTON-UPPER,#3.....11
PISTON-UPPER,#4.....11
PISTON-UPPER,#5.....11
PISTON-UPPER,#6.....11
PISTON-UPPER,BASE.....11
PLAT. ASSY,HOIST II.....13
PLATFORM MT.KIT,HOIST II.....13
PLUG,HEX HEAD,1/4 MPT BRASS.....13
PLUG-PLATFORM MOUNTING.....13
PLYWOOD,W/NYLON INSERT,HOISTII.....13
PROBE ASSY,HOIST II.....11

Q
QUICK DISCON.PLUG 3/16 HS #189.....15
QUICK DISCONNECT PLUG/#185.....11
QUICK DISCONNECT SOCKET W/VALV.....13

R
REGULATOR ASSY-DOMESTIC HOIST1.....13
REGULATOR ASSY-METRIC,125 PSI.....13
RETAINER RING,PUSH-ON.,50,6PRG.....11
RIVET-DRIVE-BARREL HEAD-NYLON.....13

S
SCREW,6-LOVE,PHM8-32 X 3/4".....13
SCREW,HHC,1/4-20 X 1.75.....13
SCREW,HHC,M14 X 40MM,GR 8.8.....13
SCREW,HHC,M6 X 20MM,GR8.8.....13
SCREW,HHC,M8 X 20MM.....13
SCREW,HHC,M8 X 60MM X 1.25.....13
SCREW,SET,HS 10-32 X.25.....13, 15
SCREW,SHC,10-32 X .5.....15
SCREW,SHC,M6 X 25MM,GR8***.....11
SCREW,SHC,M6 X 30MM,GR8.8,LP**.....11
SEAL KIT COMPLETE-HOIST.....11
SLIDER,WEAR PAD.....13
SNAP RING,EXTERNAL,.75 DIA.....13
SOCKET,QUICK DISCONN.,MACHINED.....15
SPRING,SLIDER.....13
STRAP ASSY,CO2 TANK HOLD DOWN.....13
SUPPORT PLATE-HOIST III,GRAY.....13

T
TEE,INLET.....11
TUBE ASSY,2ND STAGE,H-II 3.8.....11
TUBE ASSY,2ND STAGE,H-II 5.6M.....11
TUBE ASSY,3RD STAGE,H-II 3.8M.....11
TUBE ASSY,3RD STAGE,H-II 5.6M.....11
TUBE ASSY,4TH STAGE,H-II 3.8M.....11
TUBE ASSY,4TH STAGE,H-II 5.6M.....11
TUBE ASSY,5TH STAGE,H-II 3.8M.....11
TUBE ASSY,5TH STAGE,H-II 5.6M.....11
TUBE ASSY,BASE,3.8M,HOIST III.....11
TUBE ASSY,BASE,5.6M,HOIST III.....11
TUBE,#6, HOIST II 3.8.....11
TUBE,#6, HOIST II 5.6.....11

V
VALVE BODY-2 WAY PNEUMATIC.....15
VALVE,EXHAUST.....15
VALVE,PRES.RELIEF,1/8NPT 90PSI.....11
VALVE,PRESSURE RELEASE, 1/4".....13

W
WASHER,FLAT,USS,1/4"Y.....13
WASHER,LOCK,#10 PLTD.....11
WASHER,LOCK,.313.....13
WASHER,LOCK,0.5".....13
WASHER,SHIM,.75 X 1.125 X.030.....13
WASHER,STAR,EXTERNAL,.312.....11

Fitting Cross References

Genie PN	Parker PN	Description	Genie PN	Parker PN	Description
12342	6-4 F5OX-S	CONNECTOR, STRAIGHT THREAD TO FLARE TUBE	42794	1 CR-S	ELBOW, 90°, MALE PIPE
13757	4 R6X-S	RUN TEE, SWIVEL NUT, ORFS	42795	BV-0839	BALL VALVE
19685	12-10 C5OX-S	ELBOW, 90°, STRAIGHT THREAD TO FLARE TUBE	42796	BV-0838	BALL VALVE
22664	12-10 C5OX	ELBOW, 90°, STRAIGHT THREAD TO FLARE TUBE	42874	6-8 CLO-S	ELBOW, 90°, MALE PIPE TO ORFS
27431	8-12 F5OX-S	CONNECTOR, STRAIGHT THREAD TO FLARE TUBE	42912	13943-6-4	HOSE END, 90° FEMALE SWIVEL, JIC
28678	AS-B-33	SLEEVE, NYLON, 1.81" ID	42920	BV-0840	BALL VALVE, 90°
39871	6 WETX-WLN-S	UNION, 90° BULKHEAD W/NUT, FLARE TUBE	42932	AS-B-17	SLEEVE, NYLON, 1.22" ID
39872	4 R5OX-S	RUN TEE, STRAIGHT THREAD	42936	10243-2-4	HOSE END, FEMALE PIPE
39873	6 C5OX-S	ELBOW, 90°, STRAIGHT THREAD TO FLARE TUBE	42953	1/2 DD-S	ELBOW, 90°, FEMALE PIPE
39874	8-6 C5OX-S	ELBOW, 90°, STRAIGHT THREAD TO FLARE TUBE	42956	6 WELO-WLNL-S	UNION, 90° BULKHEAD W/NUT, ORFS
39875	4-6 C5OX-S	ELBOW, 90°, STRAIGHT THREAD TO FLARE TUBE	45349	8 V5OX-S	ELBOW, 45°, STRAIGHT THREAD TO FLARE TUBE
39876	6-8 C5OX-S	ELBOW, 90°, STRAIGHT THREAD TO FLARE TUBE	45351	4 V5OX-S	ELBOW, 45°, STRAIGHT THREAD TO FLARE TUBE
39877	4 F5OX-S	CONNECTOR, STRAIGHT THREAD TO FLARE TUBE	47223	10343-6-6	HOSE END, MALE, JIC
39878	6 F5OX-S	CONNECTOR, STRAIGHT THREAD TO FLARE TUBE	47419	PS690503-6-6	SWIVEL, 90°, STRAIGHT THREAD TO 37° FLARE
39879	4-8 F5OX-S	CONNECTOR, STRAIGHT THREAD TO FLARE TUBE	48750	421-4	HOSE, 1/4 INCH ID
39880	6-10 F5OX-S	CONNECTOR, STRAIGHT THREAD TO FLARE TUBE	48751	481TC-4	HOSE, 1/4 INCH ID
39881	4-6 F5OX-S	CONNECTOR, STRAIGHT THREAD TO FLARE TUBE	48752	482TC-4	HOSE, 1/4 INCH ID
39882	4-HP5ON-S	PLUG, STRAIGHT THREAD	48753	451TC-6	HOSE, 3/8 INCH ID
39883	8-8 FTX-S	CONNECTOR, MALE PIPE TO FLARE TUBE	48754	482TC-6	HOSE, 3/8 INCH ID
39885	269HB 12-12	ELBOW, 90°, BEADED HOSE BARB TO MALE PIPE	48755	381-6	HOSE, 3/8 INCH ID
39886	431-6	HOSE, 3/8 INCH ID	48756	451TC-8	HOSE, 1/2 INCH ID
39887	540N-2	HOSE, 1/8 INCH ID	48757	482TC-8	HOSE, 1/2 INCH ID
39888	801-8	HOSE, 1/2 INCH ID	48758	381-8	HOSE, 1/2 INCH ID
39889	801-12	HOSE, 3/4 INCH ID	48759	381-10	HOSE, 5/8 INCH ID
39890	10643-6-6	HOSE END, FEMALE SWIVEL, JIC	48760	451TC-10	HOSE, 5/8 INCH ID
39891	13943-6-6	HOSE END, 90° FEMALE SWIVEL, JIC	48761	482TC-12	HOSE, 3/4 INCH ID
39892	13743-6-6	HOSE END, 45° FEMALE SWIVEL, JIC	48762	451TC-12	HOSE, 3/4 INCH ID
39894	30682-8-8	HOSE END, FEMALE SWIVEL, JIC	48763	772-12	HOSE, 3/4 INCH ID
39895	30682-10-12	HOSE END, FEMALE SWIVEL, JIC	48764	881-16	HOSE, 1 INCH ID
42286	8-8 CTX-S	ELBOW, 90°, MALE PIPE TO FLARE TUBE	48765	772-16	HOSE, 1 INCH ID
42756	8-12 CLO-S	ELBOW, 90°, MALE PIPE TO ORFS	48766	AS-B-15	SLEEVE, NYLON, 1.06" ID
42757	8-12 FLO-S	CONNECTOR, MALE PIPE TO ORFS	48767	AS-B-22	SLEEVE, NYLON, 1.42" ID
42758	4 JLO-S	UNION TEE, ORFS	48770	881-8	HOSE, 1/2 INCH ID
42759	4-4 FLO-S	CONNECTOR, MALE PIPE TO ORFS			
42760	6-8 FLO-S	CONNECTOR, MALE PIPE TO ORFS			
42761	1J143-6-4	HOSE END, 90° FEMALE SWIVEL, SEAL LOK			
42762	1J743-6-4	HOSE END, 45° FEMALE SWIVEL, SEAL LOK			
42768	1JO43-4-4	HOSE END, MALE, SEAL LOK			
42776	601-8	HOSE, 1/2 INCH ID			
42777	1J743-16-16	HOSE END, 45° FEMALE SWIVEL, SEAL LOK			
42786	16 CLO-S	ELBOW, 90°, MALE PIPE TO ORFS			
42787	16 R6LO-S	RUN TEE, SWIVEL NUT, ORFS			
42788	16-8 TRLO-BL-S	REDUCER, TUBE END TO SWIVEL, ORFS			
42789	6-6 CLO-S	ELBOW, 90°, MALE PIPE TO ORFS			
42790	8-10 V5OLO-S	ELBOW, 45°, STRAIGHT THREAD TO ORFS			
42791	3/4 CD-S	ELBOW, 90°, MALE TO FEMALE PIPE			
42792	3/4 X 1/2 PTR-S	REDUCER, MALE TO FEMALE PIPE			
42793	1/2 CR-S	ELBOW, 90°, MALE PIPE			

Fitting Cross References (Continued)

Genie PN	Parker PN	Description	Genie PN	Parker PN	Description
48771	881-10	HOSE,5/8 INCH ID	48847	13943-12-12	HOSE END,90° FEMALE SWIVEL,JIC
48772	381-4	HOSE,1/4 INCH ID	48848	10543-12-12	HOSE END,MALE,STRAIGHT THREAD
48773	AS-B-13	SLEEVE,NYLON,.86" ID	48849	1JC71-12-12	HOSE END,FEMALE SWIVEL,SEAL LOK
48800	1JC43-4-4	HOSE END,FEMALE SWIVEL,SEAL LOK	48850	1JS71-12-12	HOSE END,FEMALE SWIVEL,SEAL LOK
48801	1J743-4-4	HOSE END,45° FEMALE SWIVEL,SEAL LOK	48851	1J171-12-12	HOSE END,90° FEMALE SWIVEL,SEAL LOK
48802	1J943-4-4	HOSE END,90° FEMALE SWIVEL,SEAL LOK	48852	1J771-12-12	HOSE END,45° FEMALE SWIVEL,SEAL LOK
48804	1JM43-4-4	HOSE END,MALE,SEAL LOK, NO O-RING	48853	1J971-12-12	HOSE END,90° FEMALE SWIVEL,SEAL LOK
48805	10643-4-4	HOSE END,FEMALE SWIVEL,JIC	48854	1JC43-16-16	HOSE END,FEMALE SWIVEL,SEAL LOK
48806	13943-4-4	HOSE END,90° FEMALE SWIVEL,JIC	48855	1J943-16-16	HOSE END,90° FEMALE SWIVEL,SEAL LOK
48807	1JS43-4-4	HOSE END,FEMALE SWIVEL,SEAL LOK	48856	1J171-16-16	HOSE END,90° FEMALE SWIVEL,SEAL LOK
48808	3JC82-8-8	HOSE END,FEMALE SWIVEL,SEAL LOK	48857	1J971-16-16	HOSE END,90° FEMALE SWIVEL,SEAL LOK
48809	3JC82-12-12	HOSE END,FEMALE SWIVEL,SEAL LOK	48859	1JS43-8-4	HOSE END,FEMALE SWIVEL,SEAL LOK
48810	1JC43-6-4	HOSE END,FEMALE SWIVEL,SEAL LOK	48867	PD36BTL	DIAGNOSTIC NIPPLE,SEAL-LOK SWIVEL
48811	1J943-6-4	HOSE END,90° FEMALE SWIVEL,SEAL LOK	48873	6 PNLO-S	PLUG,TUBE END,ORFS
48812	1JC43-6-6	HOSE END,FEMALE SWIVEL,SEAL LOK	48874	6 PNTX-S	PLUG,FLARE TUBE
48813	1J143-6-6	HOSE END,90° FEMALE SWIVEL,SEAL LOK	48875	6 R6LO-S	RUN TEE,SWIVEL NUT,ORFS
48814	1J543-6-6	HOSE END,90° FEMALE SWIVEL,SEAL LOK	48877	4 F5OLO-SW/.025	CONNECTOR,STRAIGHT THREAD TO ORFS, W/.025 ORI
48815	1J743-6-6	HOSE END,45° FEMALE SWIVEL,SEAL LOK	48878	16-12 C5OLO-S	ELBOW,90°,STRAIGHT THREAD TO ORFS
48816	1J943-6-6	HOSE END,90° FEMALE SWIVEL,SEAL LOK	48879	8 C6LO-S	ELBOW,90°,SWIVEL NUT ORFS
48817	1JS43-6-8	HOSE END,FEMALE SWIVEL,SEAL LOK	48880	PD6-285	CAP,DIAGNOSTIC NIPPLE
48818	1J943-8-4	HOSE END,90° FEMALE SWIVEL,SEAL LOK	48881	6 HLO-S	UNION,ORFS
48819	1JC43-8-6	HOSE END,FEMALE SWIVEL,SEAL LOK	48883	8 P5ON-S	PLUG,STRAIGHT THREAD
48820	1J743-8-6	HOSE END,45° FEMALE SWIVEL,SEAL LOK	48884	8M18F87OMLO-S	CONNECTOR,METRIC,STRAIGHT THREAD TO ORFS
48821	1J943-8-6	HOSE END,90° FEMALE SWIVEL,SEAL LOK	48885	4 WGTX-WLN-S	CONNECTOR,BULKHEAD,FEMALE PIPE TO FLARE TUBE
48822	1JC43-8-8	HOSE END,FEMALE SWIVEL,SEAL LOK	48886	4 F5OLO-SW/2MM	CONNECTOR,MACHINED STRAIGHT THREAD TO ORFS
48823	1JS43-8-8	HOSE END,FEMALE SWIVEL,SEAL LOK	48887	4 CTX-S	ELBOW,90°,MALE PIPE TO FLARE TUBE
48824	1J143-8-8	HOSE END,90° FEMALE SWIVEL,SEAL LOK	48888	10-12 V5OLO-S	ELBOW,45°,STRAIGHT THREAD TO ORFS
48825	1J543-8-8	HOSE END,90° FEMALE SWIVEL,SEAL LOK	48890	4 S5OLO-S	BRANCH TEE,STRAIGHT THREAD TO ORFS
48826	1J743-8-8	HOSE END,45° FEMALE SWIVEL,SEAL LOK	48891	4 S6LO-S	BRANCH TEE,SWIVEL NUT TO ORFS
48827	1J943-8-8	HOSE END,90° FEMALE SWIVEL,SEAL LOK			
48828	1JC43-10-8	HOSE END,FEMALE SWIVEL,SEAL LOK			
48829	1JS43-10-8	HOSE END,FEMALE SWIVEL,SEAL LOK			
48830	1J743-10-8	HOSE END,45° FEMALE SWIVEL,SEAL LOK			
48831	1J943-10-8	HOSE END,90° FEMALE SWIVEL,SEAL LOK			
48833	1JC43-10-10	HOSE END,FEMALE SWIVEL,SEAL LOK			
48834	1J943-10-10	HOSE END,90° FEMALE SWIVEL,SEAL LOK			
48835	1JS43-10-12	HOSE END,FEMALE SWIVEL,SEAL LOK			
48836	1JC43-12-8	HOSE END,FEMALE SWIVEL,SEAL LOK			
48837	1JS43-12-8	HOSE END,FEMALE SWIVEL,SEAL LOK			
48838	1J743-12-8	HOSE END,45° FEMALE SWIVEL,SEAL LOK			
48839	1J943-12-8	HOSE END,90° FEMALE SWIVEL,SEAL LOK			
48840	1J943-12-10	HOSE END,90° FEMALE SWIVEL,SEAL LOK			
48841	1JC43-12-12	HOSE END,FEMALE SWIVEL,SEAL LOK			
48842	1JO43-12-12	HOSE END,MALE,SEAL LOK			
48843	1J143-12-12	HOSE END,90° FEMALE SWIVEL,SEAL LOK			
48844	1J543-12-12	HOSE END,90° FEMALE SWIVEL,SEAL LOK			
48845	1J743-12-12	HOSE END,45° FEMALE SWIVEL,SEAL LOK			
48846	1J943-12-12	HOSE END,90° FEMALE SWIVEL,SEAL LOK			

Fitting Cross References (Continued)

Genie PN	Parker PN	Description	Genie PN	Parker PN	Description
48892	6 C6LO-S	ELBOW,90°,SWIVEL NUT ORFS	48938	8 R6LO-S	RUN TEE,SWIVEL NUT,ORFS
48893	6 F5OHAO-S	UNION,STRAIGHT THREAD	48939	8 S6LO-S	BRANCH TEE,SWIVEL NUT TO ORFS
48894	8 WLO-WLNL-S	UNION,BULKHEAD,ORFS	48940	8 WJLO-WLNL-S	RUN TEE, BULKHEAD,ORFS
48895	DT-370-MSMO-5	VALVE,CHECK	48941	8-4 TRLO-S	REDUCER,TUBE END TO SWIVEL,ORFS
48896	6 JLO-S	UNION,TEE,ORFS	48942	8-6 C5OLO-S	ELBOW,90°,STRAIGHT THREAD TO ORFS
48897	DT-750-MSMS-5	VALVE,CHECK	48943	8-6 F5OLO-S	CONNECTOR,STRAIGHT THREAD TO ORFS
48898	DT-750-MOMS-5	VALVE,CHECK	48944	8-8 FLO-S	CONNECTOR,MALE PIPE TO ORFS
48899	DT-620-MOMS-5	VALVE,CHECK	48945	8 FTX-S	CONNECTOR,MALE PIPE TO FLARE TUBE
48900	4-6 F5OLO-SW/.035	CONNECTOR,STRAIGHT THREAD TO ORFS, W/.035 ORI	48946	8-10 F5OLO-S	CONNECTOR,STRAIGHT THREAD TO ORFS
48902	16-1 AOE4G-S	ELBOW,90° LONG,FEMALE PIPE TO STRAIGHT THREAD	48947	8-12 C5OLO-S	ELBOW,90°,STRAIGHT THREAD TO ORFS
48903	1 FF-S	NIPPLE,PIPE	48948	8-12 F5OLO-S	CONNECTOR,STRAIGHT THREAD TO ORFS
48904	4 C5OLO-S	ELBOW,90°,STRAIGHT THREAD TO ORFS	48949	8-16 F5OLO-S	CONNECTOR,STRAIGHT THREAD TO ORFS
48905	4 F5OLO-S	CONNECTOR,STRAIGHT THREAD TO ORFS	48950	10 C5OLO-S	ELBOW,90°,STRAIGHT THREAD TO ORFS
48906	4 R5OLO-S	RUN TEE,STRAIGHT THREAD	48951	10 CC5OLO-S	ELBOW,90° LONG,STRAIGHT THREAD TO ORFS
48907	4 V5OLO-S	ELBOW,45°,STRAIGHT THREAD TO ORFS	48952	10 F5OLO-S	CONNECTOR,STRAIGHT THREAD TO ORFS
48908	4 R6LO-S	RUN TEE,SWIVEL NUT,ORFS	48953	10 R5OLO-S	RUN TEE,STRAIGHT THREAD
48909	4 WJLO-WLNL-S	RUN TEE, BULKHEAD,ORFS	48954	10 S5OLO-S	BRANCH TEE,STRAIGHT THREAD TO ORFS
48910	4 GTX-S W/.030	CONNECTOR,FEMALE PIPE TO FLARE TUBE	48955	10 R6LO-S	RUN TEE,SWIVEL NUT,ORFS
48911	4-6 C5OLO-S	ELBOW,90°,STRAIGHT THREAD TO ORFS	48956	10-4 TRLO-BL-S	REDUCER,TUBE END TO SWIVEL,ORFS
48912	4-6 F5OLO-S	CONNECTOR,STRAIGHT THREAD TO ORFS	48957	10-6 TRLO-BL-S	REDUCER,TUBE END TO SWIVEL,ORFS
48913	4-6 F5OLO-SW/.030	CONNECTOR,STRAIGHT THREAD TO ORFS, W/.030 ORI	48958	10-12 F5OLO-S	CONNECTOR,STRAIGHT THREAD TO ORFS
48914	4-8 F5OLO-S	CONNECTOR,STRAIGHT THREAD TO ORFS	48959	12 C5OLO-S	ELBOW,90°,STRAIGHT THREAD TO ORFS
48915	6 C5OLO-S	ELBOW,90°,STRAIGHT THREAD TO ORFS	48960	12 F5OLO-S	CONNECTOR,STRAIGHT THREAD TO ORFS
48916	6 F5OLO-S	CONNECTOR,STRAIGHT THREAD TO ORFS	48961	12 R5OLO-S	RUN TEE,STRAIGHT THREAD
48917	6 FF5OLO-S	CONNECTOR,LONG,STRAIGHT THREAD TO ORFS	48962	12 S5OLO-S	BRANCH TEE,STRAIGHT THREAD TO ORFS
48918	6 R5OLO-S	RUN TEE,STRAIGHT THREAD	48963	12 V5OLO-S	ELBOW,45°,STRAIGHT THREAD TO ORFS
48919	6 S5OLO-S	BRANCH TEE,STRAIGHT THREAD TO ORFS	48964	12 R6LO-S	RUN TEE,SWIVEL NUT,ORFS
48920	6 V5OLO-S	ELBOW,45°,STRAIGHT THREAD TO ORFS	48965	12 CLO-S	ELBOW,90°,MALE PIPE TO ORFS
48921	6 FLO-S	CONNECTOR,MALE PIPE TO ORFS	48966	12 FLO-S	CONNECTOR,MALE PIPE TO ORFS
48922	6-6 FLO-S	CONNECTOR,MALE PIPE TO ORFS	48967	12 JLO-S	UNION TEE,ORFS
48923	6 P5ON-S	PLUG,STRAIGHT THREAD	48968	12 WLO-WLNL-S	UNION,BULKHEAD,ORFS
48925	6 WELO-S	UNION,90° BULKHEAD,ORFS	48969	12 WJLO-WLNL-S	RUN TEE, BULKHEAD,ORFS
48926	6-4 C5OLO-S	ELBOW,90°,STRAIGHT THREAD TO ORFS	48970	12 WELO-WLNL-S	UNION,90° BULKHEAD W/NUT,ORFS
48927	6-4 F5OLO-S	CONNECTOR,STRAIGHT THREAD TO ORFS			
48928	6-4 V5OLO-S	ELBOW,45°,STRAIGHT THREAD TO ORFS			
48929	6-8 C5OLO-S	ELBOW,90°,STRAIGHT THREAD TO ORFS			
48930	6-8 F5OLO-S	CONNECTOR,STRAIGHT THREAD TO ORFS			
48931	6-10 F5OLO-S	CONNECTOR,STRAIGHT THREAD TO ORFS			
48932	8 C5OLO-S	ELBOW,90°,STRAIGHT THREAD TO ORFS			
48933	8 F5OLO-S	CONNECTOR,STRAIGHT THREAD TO ORFS			
48934	8 FF5OLO-S	CONNECTOR,LONG,STRAIGHT THREAD TO ORFS			
48935	8 R5OLO-S	RUN TEE,STRAIGHT THREAD			
48936	8 S5OLO-S	BRANCH TEE,STRAIGHT THREAD TO ORFS			
48937	8 V5OLO-S	ELBOW,45°,STRAIGHT THREAD TO ORFS			

Fitting Cross References (Continued)

Genie PN	Parker PN	Description	Genie PN	Parker PN	Description
48971	12 G5G5JG5-S	TEE,FEMALE STRAIGHT THREAD	49612	PKT02586	O-RING KIT (ORFS FITTINGS)
48972	12 XHL6-S	ADAPTER, 37° MALE TO SWIVEL ORFS	49613	PKT06276	PLUG AND CAP KIT-SERVICE,ORFS
48973	12-1/2 F5OG-S	ADAPTER,FEMALE PIPE TO STRAIGHT THREAD	49728	10143-12-12	HOSE END, MALE PIPE
48974	12-10 C5OLO-S	ELBOW,90°,STRAIGHT THREAD TO ORFS	49729	16-1 F5OG-S	ADAPTER,FEMALE PIPE TO STRAIGHT THREAD
48975	12-10 F5OLO-S	CONNECTOR,STRAIGHT THREAD TO ORFS	49814	12-8 FLO-S	CONNECTOR,MALE PIPE TO ORFS
48976	12-16 C5OLO-S	ELBOW,90°,STRAIGHT THREAD TO ORFS	49829	DT-500-MOMF-5	VALVE,CHECK
48977	12-16 F5OLO-S	CONNECTOR,STRAIGHT THREAD TO ORFS	49831	881-12	HOSE,3/4 INCH ID
48978	12-16 V5OLO-S	ELBOW,45°,STRAIGHT THREAD TO ORFS	49834	16 JLO-S	UNION TEE,ORFS
48980	12-16 FLO-S	CONNECTOR,MALE PIPE TO ORFS	49838	12-8 TRLO-BL-S	REDUCER,TUBE END TO SWIVEL,ORFS
48983	16 C5OLO-S	ELBOW,90°,STRAIGHT THREAD TO ORFS	49840	8 JLO-S	UNION TEE,ORFS
48984	16 F5OLO-S	CONNECTOR,STRAIGHT THREAD TO ORFS	49844	10-8 TRLO-BL-S	REDUCER,TUBE END TO SWIVEL,ORFS
48985	16 V5OLO-S	ELBOW,45°,STRAIGHT THREAD TO ORFS	49854	8 P5ON-S	PLUG,STRAIGHT THREAD
48986	16 FLO-S	CONNECTOR,MALE PIPE TO ORFS	49855	1JC43-16-12	HOSE END,FEMALE SWIVEL,SEAL LOK
48988	16 CD45-S	ELBOW,45°,MALE TO FEMALE PIPE	49859	4 P5ON-S	PLUG,STRAIGHT THREAD
48989	12 CD45-S	ELBOW,45°,MALE TO FEMALE PIPE	49861	4 FF5OLO-S	CONNECTOR,LONG,STRAIGHT THREAD TO ORFS
48990	8 CD45-S	ELBOW,45°,MALE TO FEMALE PIPE	49867	12-3/4 F5OG-S	ADAPTER,FEMALE PIPE TO STRAIGHT THREAD
48991	16-12 FLO-S	CONNECTOR,MALE PIPE TO ORFS	51152	6 R6X-S	RUN TEE,SWIVEL NUT,ORFS
48992	16-12 V5OLO-S	ELBOW,45°,STRAIGHT THREAD TO ORFS	51153	6-4 TRTX-S	REDUCER,TUBE END TO SWIVEL,ORFS
48993	XV501-12	BALL VALVE	51154	4-4 GTX	CONNECTOR,FEMALE PIPE TO FLARE TUBE
48994	XV501-16	BALL VALVE	51264	881-12	HOSE,3/4 INCH ID
48995	XV510P-12	BALL VALVE	51265	8 JLO-S	UNION TEE,ORFS
48996	XV510P-16	BALL VALVE	51508	6 BTX-S	NUT,FLARE TUBE
48997	PD341	DIAGNOSTIC NIPPLE, STRAIGHT THREAD	51580	12-8 TRLO-BL-S	TUBE END REDUCER,ORFS
48998	PD 361	DIAGNOSTIC NIPPLE, STRAIGHT THREAD	51628	6 R6X-S	RUN TEE,SWIVEL NUT,ORFS
48999	DT-500-MOMS-5	VALVE,CHECK	51735	3/8 HHP	PLUG,PIPE THREAD
49201	10 V5OLO-S	ELBOW,45°,STRAIGHT THREAD TO ORFS	51803	1J943-6-8	HOSE END,90° FEMALE SWIVEL,SEAL LOK
49202	1JC43-12-10	HOSE END,FEMALE SWIVEL,SEAL LOK	53023	125HBL-5-4	FITTING,HOSE BARB TO MALE PIPE
49203	10-8 V5OLO-S	ELBOW,45°,STRAIGHT THREAD TO ORFS	53497	PKT02585	O-RING KIT
49205	6 F5OHAO-S	UNION,STRAIGHT THREAD	53499	1JC71-16-16	HOSE END,FEMALE SWIVEL,SEAL LOK
49207	PD34BTL	DIAGNOSTIC NIPPLE,SEAL-LOK SWIVEL	53500	3-904	O-RING,STRAIGHT THREAD,-4
49209	8M18F870MX-S	CONNECTOR,METRIC,STRAIGHT THREAD TO FLARE TUBE	53501	3-906	O-RING,STRAIGHT THREAD,-6
49212	8 WGTX-WLN-S	CONNECTOR,BULKHEAD,FEMALE PIPE TO FLARE TUBE	53502	3-908	O-RING,STRAIGHT THREAD,-8
49213	30682-8-8	HOSE END,FEMALE SWIVEL,JIC	53503	3-910	O-RING,STRAIGHT THREAD,-10
49216	831-8	HOSE,1/2 INCH ID			
49217	33982-8-8	HOSE END,90° FEMALE SWIVEL,JIC			
49219	PS-B-35	SLEEVE,NYLON,2.19" ID			
49418	4-6 V5OLO-S	ELBOW,45°,STRAIGHT THREAD TO ORFS			
49511	DT370-MOMS-5	VALVE,CHECK			
49512	1 DD-S	ELBOW,90°,FEMALE PIPE			
49513	1 FF-S	NIPPLE,PIPE			
49514	10 HP5ON-S	PLUG,STRAIGHT THREAD			
49515	12-16 CLO-S	ELBOW,90°,MALE PIPE TO ORFS			
49517	6 HP5ON-S	PLUG,STRAIGHT THREAD			
49519	16-12 F5OLO-S	CONNECTOR,STRAIGHT THREAD TO ORFS			
49520	4 VTX-S	ELBOW,45°,MALE PIPE TO FLARE TUBE			
49530	16 C6LO-S	ELBOW,90°,SWIVEL NUT ORFS			

Fitting Cross References (Continued)

Genie PN	Parker PN	Description	Genie PN	Parker PN	Description
53535	3-912	O-RING, STRAIGHT THREAD, -12	61083	24 F5OLO-S	CONNECTOR, STRAIGHT THREAD TO ORFS
53536	4-PNLO-S	PLUG, TUBE END, ORFS	61086	20 R5OLO-S	RUN TEE, STRAIGHT THREAD
53537	6 PNLO-S	PLUG, TUBE END, ORFS	61090	24-20 F5OLO-S	CONNECTOR, STRAIGHT THREAD TO ORFS
53538	8 PNLO-S	PLUG, TUBE END, ORFS	61091	1J943 24-24	HOSE END, 90° FEMALE SWIVEL, SEAL LOK
53539	10 PNLO-S	PLUG, TUBE END, ORFS	61093	1J978-12-12	HOSE END, 90° FEMALE SWIVEL, JIC
53540	12 PNLO-S	PLUG, TUBE END, ORFS	61095	1JS43-20-16	HOSE END, FEMALE SWIVEL, SEAL LOK
53946	129HB-5-4	FITTING, 90° HOSE BARB TO MALE PIPE	61100	811-24	HOSE, 1 1/2 INCH ID
53951	8-1/4F50G-S	ADAPTER, FEMALE PIPE TO STRAIGHT THREAD	61130	1JS43-24-24	HOSE END, FEMALE SWIVEL, SEAL LOK
53980	6 S6LO-S	BRANCH TEE, SWIVEL NUT TO ORFS	61131	1JS78 12-12	HOSE END, FEMALE SWIVEL, SEAL LOK
54132	4 C6LO-S	ELBOW, 90°, SWIVEL NUT ORFS	61132	1J778-12-12	HOSE END, 45° FEMALE SWIVEL, JIC
54135	11343-16-16	HOSE END, MALE SWIVEL, PIPE	61152	139HB-6-4	ELBOW, 45°, BARB TO MALE PIPE
54283	8-10 C5OLO-S	ELBOW, 90°, STRAIGHT THREAD TO ORFS	61251	BV-0750	BALL VALVE
54428	8M18C870MLO-S	ELBOW, 90° METRIC, STRAIGHT THREAD TO ORFS	61259	4 CC5OLO-S	ELBOW, 90° LONG, STRAIGHT THREAD TO ORFS
54803	FS-F-16-10	SLEEVE, FIRE, .96" ID	61260	20-12 TRLO-BL	REDUCER, TUBE END TO SWIVEL, ORFS
54954	10143-2-4	HOSE END, MALE PIPE	61262	12 C6LO-S	ELBOW, 90°, SWIVEL NUT ORFS
55190	3/8 HP-S	PLUG, PIPE THREAD	61263	20 F5OHAO-S	UNION, STRAIGHT THREAD
55448	8 HLO-S	UNION, ORFS	61264	6-10 C5OLO-S	ELBOW, 90°, STRAIGHT THREAD TO ORFS
55839	6 F65OX-S	CONNECTOR, STRAIGHT THREAD TO 37° SWIVEL	61265	6 WNLO-WLNL-S	UNION, BULKHEAD 45°, ORFS
55968	10 C5OX-S	ELBOW, 90°, STRAIGHT THREAD TO FLARE TUBE	61268	4 WNLO-WLNL-S	UNION, BULKHEAD 45°, ORFS
56003	6 CC5OLO-S	ELBOW, 90° LONG, STRAIGHT THREAD TO ORFS	61269	4 WLO-WLNL-S	UNION, BULKHEAD, ORFS
56166	BV-0837	BALL VALVE, 90°	61272	12 AOEL6	ELBOW, 90°, STRAIGHT THREAD TO ORFS SWIVEL
56188	10143-8-6	HOSE END, MALE PIPE	61316	482TC-16	HOSE, 1 INCH ID
56233	2-011	O-RING, ORFS, -4	61321	6 JLO-S	UNION TEE, ORFS
56234	2-012	O-RING, ORFS, -6	61327	782-12	HOSE, 3/4 INCH ID
56235	2-014	O-RING, ORFS, -8	61328	881-24	HOSE, 1 1/2 INCH ID
56236	2-016	O-RING, ORFS, -10	61336	11943-20-24	HOSE END, 90° FLANGE HEAD
56237	2-018	O-RING, ORFS, -12	61345	12 WJLO-WLNL-S	RUN TEE, BULKHEAD, ORFS
56238	2-021	O-RING, ORFS, -16	61346	8 WNLO-WLNL-S 4	UNION, BULKHEAD 45°, ORFS
56352	6 WLNL-S	LOCKNUT, BULKHEAD	61569	33782-8-8	HOSE END, 45° FEMALE SWIVEL, JIC
56353	3J782-12-12	HOSE END, 45° FEMALE SWIVEL, SEAL LOK	61610	12 FF5OLO-S	CONNECTOR, LONG, STRAIGHT THREAD TO ORFS
56354	3J982-12-12	HOSE END, 90° FEMALE SWIVEL, SEAL LOK	61742	1/8 X 1.5 FFF	NIPPLE, PIPE
56604	10-8 F5OLO-S	CONNECTOR, STRAIGHT THREAD TO ORFS	63426	8 PNTX-S	PLUG, FLARE TUBE
56639	3JC82-10-10	HOSE END, FEMALE SWIVEL, SEAL LOK			
56640	3J982-10-10	HOSE END, 90° FEMALE SWIVEL, SEAL LOK			
56655	3JC82-8-10	HOSE END, FEMALE SWIVEL, SEAL LOK			
56676	10-8 C5OLO-S	ELBOW, 90°, STRAIGHT THREAD TO ORFS			
56776	471TC-6	HOSE, 3/8 INCH ID			
56777	471TC-8	HOSE, 1/2 INCH ID			
56789	811-16	HOSE, 1 INCH ID			
57884	3/8 FF	NIPPLE, PIPE			
59335	6 FNL-S	CAP, TUBE END			
59342	4 FNL-S	CAP, TUBE END			
59371	8 HP5ON-S	PLUG, STRAIGHT THREAD			
60653	BV-0751	BALL VALVE			
60806	125HB-3-4	FITTING, HOSE BARB TO MALE PIPE			
61064	5-1/4 F50G-S	ADAPTER, FEMALE PIPE TO STRAIGHT THREAD			
61079	4 WELO-WLNL-S	UNION, 90° BULKHEAD W/NUT, ORFS			
61080	6 WLO-WLNL-S	UNION, BULKHEAD, ORFS			

Fitting Cross References (Continued)

Genie PN	Parker PN	Description	Genie PN	Parker PN	Description
64271	4 WLO-WLNL-S	UNION,BULKHEAD,ORFS	75631	801-6	HOSE,3/8 INCH ID
64272	6 WLO-WLNL-S	UNION,BULKHEAD,ORFS	75654	20 F5OLO-S	CONNECTOR,STRAIGHT THREAD TO ORFS
65776	8 F65OL-S	CONNECTOR,STRAIGHT THREAD TO ORFS SWIVEL	75655	1J943-20-20	HOSE END,90° FEMALE SWIVEL,SEAL LOK
65880	6001012	O-RING KIT	75656	881-20	HOSE,1-1/4 INCH ID
66154	6 WTX-WLNS	UNION,BULKHEAD,FLARE TUBE	75971	8 F5OHAO-S	UNION,STRAIGHT THREAD
66155	6 WETX-S	UNION,BULKHEAD 90°,FLARE TUBE	77307	1JB43-8-8	HOSE END,BULKHEAD,SEAL LOK
66156	6 WLN-S	BULKHEAD LOCKNUT	77309	8 WLNL-S	BULKHEAD LOCKNUT
66389	6-8 F5OX-S	CONNECTOR,STRAIGHT THREAD TO FLARE TUBE	77379	8M18C87OMX-S	ELBOW,90° METRIC,STRAIGHT THREAD TO FLARE TUBE
66392	6 R5OX-S	RUN TEE,STRAIGHT THREAD	77703	3J982-8-8	HOSE END,90° FEMALE SWIVEL,SEAL LOK
66396	811-12	HOSE,3/4 INCH ID	77711	801-10	HOSE,5/8 INCH ID
66829	H3174PP	CLAMP,TUBE	77758	12 WNLO-WLNL-S	UNION,BULKHEAD 45°,ORFS
67217	4 KLO-S	UNION,CROSS,ORFS	78091	6 C6X-S	ELBOW,90°,SWIVEL NUT TO FLARE TUBE
67339	10-6 F5OX-S	CONNECTOR,STRAIGHT THREAD TO FLARE TUBE	78684	30582-8-8B	HOSE END,PUSH LOK,MALE
67357	13943-8-6	HOSE END,90° FEMALE SWIVEL,JIC	78852	549-2	HOSE,1/8 INCH ID
67358	10 HP5ON-S	PLUG,STRAIGHT THREAD	78855	10657-4-2	HOSE END,FEMALE SWIVEL,JIC
67371	12 S6LO-S	BRANCH TEE,SWIVEL NUT TO ORFS	79138	PS-B-37	SLEEVE,NYLON,2.38" ID
67498	4 FNL-S	CAP, TUBE END	79476	1JS43-6-8	HOSE END,FEMALE SWIVEL,SEAL LOK
67906	DC-370-F0F0-5	VALVE,CHECK	79847	12-3/4 A0EG-S	ELBOW,90°,STRAIGHT THREAD TO FEMALE PIPE
69316	8 FLO-S	CONNECTOR,MALE PIPE TO ORFS	80044	8 CLO-S	ELBOW,90°,MALE PIPE TO ORFS
69333	H3174PP	CLAMP,HYDRAULIC HOSE	80502	8 F5OX-S	CONNECTOR,STRAIGHT THREAD TO FLARE TUBE
69503	4 F65OX-S	CONNECTOR,STRAIGHT THREAD TO 37° SWIVEL	80503	8 C5OX-S	ELBOW,90°,STRAIGHT THREAD TO FLARE TUBE
69775	8 FNL-S	CAP, TUBE END	81010	AS-B-27	SLEEVE,NYLON,1.63" ID
71038	1/4X1/4F3HG-S	ADAPTER,CONVERSION	83052	821-6	HOSE,3/8 INCH ID
71196	12-8 F5OLO-S	CONNECTOR,STRAIGHT THREAD TO ORFS	83053	821-8	HOSE,1/2 INCH ID
71383	1/4 CD45-S	ELBOW,45°,MALE TO FEMALE PIPE	83054	821-12	HOSE,3/4 INCH ID
72270	12FNL-S	CAP, TUBE END	83055	30682-6-6	HOSE END,FEMALE SWIVEL,JIC
73436	60C-4	SLEEVE,COMPRESSION	83056	30682-12-12	HOSE END,FEMALE SWIVEL,JIC
73437	61C-4	NUT,COMPRESSION	83057	33782-6-6	HOSE END,45° FEMALE SWIVEL,JIC
73438	33482-4-4B	HOSE END,PUSH LOK,MALE	83058	33982-6-6	HOSE END,90° FEMALE SWIVEL,JIC
73767	1CD-S	ELBOW,90°,MALE TO FEMALE PIPE	83060	33982-12-12	HOSE END,90° FEMALE SWIVEL,JIC
73768	20-16-F5OG5-S	ADAPTER,FEMALE PIPE TO STRAIGHT THREAD	83063	13743-4-4	HOSE END,45° FEMALE SWIVEL,JIC
73769	16-20 F5OLO-S	CONNECTOR,STRAIGHT THREAD TO ORFS			
74660	6-8 F42EDMLO-S	CONNECTOR,MALE BSPP TO ORFS			
74661	8-8 F42EDMLO-S	CONNECTOR,MALE BSPP TO ORFS			
75007	4 FLO-S	CONNECTOR,MALE PIPE TO ORFS			
75008	1/8 HP-S	PLUG,PIPE THREAD			
75014	1/2 HP-S	PLUG,PIPE THREAD			
75042	8 WELO-WLNL-S	UNION,90° BULKHEAD W/NUT,ORFS			
75043	3/4 FF-S	NIPPLE,PIPE			
75254	24 F5OHAO-S	UNION,STRAIGHT THREAD			
75255	12 F5OHAO-S	UNION,STRAIGHT THREAD			
75256	XV506P-24	BALL VALVE			
75574	4 WLNL-S	BULKHEAD LOCKNUT			
75612	8 WJLO-WLNL-S	RUN TEE, BULKHEAD,ORFS			
75613	12-8 F5OG5-S	ADAPTER,FEMALE PIPE TO STRAIGHT THREAD			
75614	8 CC5OLO-S	ELBOW,90° LONG,STRAIGHT THREAD TO ORFS			
75628	1JB43-4-4	HOSE END,BULKHEAD,SEAL LOK			

Fitting Cross References (Continued)

Genie PN	Parker PN	Description	Genie PN	Parker PN	Description
83064	13743-8-8	HOSE END,45° FEMALE SWIVEL,JIC	89449	6 WJLO-WLNL-S	RUN TEE, BULKHEAD,ORFS
83065	13743-12-12	HOSE END,45° FEMALE SWIVEL,JIC	89489	4 WJMLO-S	BRANCH TEE,BULKHEAD,ORFS
83066	13943-8-8	HOSE END,90° FEMALE SWIVEL,JIC	89551	1JB43-6-6	HOSE END,BULKHEAD,SEAL LOK
83067	14143-6-6	HOSE END,90° FEMALE SWIVEL,JIC	89552	1JB43-8-8	HOSE END,BULKHEAD,SEAL LOK
83068	14143-8-8	HOSE END,90° FEMALE SWIVEL,JIC	89593	20 C5OLO-S	ELBOW,90°,STRAIGHT THREAD TO ORFS
83069	14143-12-12	HOSE END,90° FEMALE SWIVEL,JIC	94161	8-8 CLO-S	ELBOW,90°,MALE PIPE TO ORFS
83070	772-8	HOSE,1/2 INCH ID	94358	351TC-12	HOSE,3/4 INCH ID
83071	10671-8-8	HOSE END,FEMALE SWIVEL,JIC	94418	20 FLO-S	CONNECTOR,MALE PIPE TO ORFS
83072	10671-12-12	HOSE END,FEMALE SWIVEL,JIC	96358	12 TX-S	SLEEVE,FLARE TUBE
83073	13771-8-8	HOSE END,45° FEMALE SWIVEL,JIC	96359	12 BTX-S	NUT,FLARE TUBE
83074	13771-12-12	HOSE END,45° FEMALE SWIVEL,JIC	96397	8 F5OX-S	CONNECTOR,STRAIGHT THREAD TO FLARE TUBE
83075	13971-8-8	HOSE END,90° FEMALE SWIVEL,JIC	96398	12-8 F5OX-S	CONNECTOR,STRAIGHT THREAD TO FLARE TUBE
83076	13971-12-12	HOSE END,90° FEMALE SWIVEL,JIC	96402	10343-6-6	HOSE END,MALE,JIC
83077	14171-8-8	HOSE END,90° FEMALE SWIVEL,JIC	96407	30382-6-6B	HOSE END,MALE,JIC
83078	14171-12-12	HOSE END,90° FEMALE SWIVEL,JIC			
83080	13943-16-16	HOSE END,90° FEMALE SWIVEL,JIC			
83103	10671-16-12	HOSE END,FEMALE SWIVEL,JIC			
83104	10671-10-12	HOSE END,FEMALE SWIVEL,JIC			
83112	1JC71-8-8	HOSE END,FEMALE SWIVEL,SEAL LOK			
83113	1JS71-16-12	HOSE END,FEMALE SWIVEL,SEAL LOK			
83114	1JS71-10-12	HOSE END,FEMALE SWIVEL,SEAL LOK			
83115	1J971-8-8	HOSE END,90° FEMALE SWIVEL,SEAL LOK			
83116	1J171-8-8	HOSE END,90° FEMALE SWIVEL,SEAL LOK			
83117	1J771-8-8	HOSE END,45° FEMALE SWIVEL,SEAL LOK			
83127	1J543-6-8	HOSE END,90° FEMALE SWIVEL,JIC			
83128	1JC43-6-8	HOSE END,FEMALE SWIVEL,SEAL LOK			
87033	12-6 TRLO-S	REDUCER,TUBE END TO SWIVEL,ORFS			
87034	3J782-8-8	HOSE END,45° FEMALE SWIVEL,SEAL LOK			
87172	12 HP5ON-S	PLUG,STRAIGHT THREAD			
87185	8 WNLO-WLNL-S	UNION,BULKHEAD 45°,ORFS			
87246	4 C6X-S	ELBOW,90°,SWIVEL NUT TO FLARE TUBE			
87679	6 LHP-S	FLANGE SEAL FITTING, MALE			
87681	6PLS N0702	BONDED SEAL			
88100	SR88100	ADAPTER,OIL DRAIN,GM 3.0L			
88311	1JS43-20-20	HOSE END,FEMALE SWIVEL,SEAL LOK			
88353	20 V5OLO-S	ELBOW,45°,STRAIGHT THREAD TO ORFS			
88474	10081-20	Crimp Shell, 1.25"			
88475	1988-20-24	HOSE END,90° FLANGE HEAD			
88476	JS88-24-24	HOSE END,FEMALE SWIVEL,SEAL LOK			
88477	1JC88-20-20	HOSE END,FEMALE SWIVEL,SEAL LOK			
88478	811-20	HOSE,11/4 INCH ID			
88936	20-16 F5OLO-S	CONNECTOR,STRAIGHT THREAD TO ORFS			
88937	20-16 FLO-S	CONNECTOR,MALE PIPE TO ORFS			
88938	1JC88-16-16	HOSE END,FEMALE SWIVEL,SEAL LOK			
88939	1J988-16-16	HOSE END,90° FEMALE SWIVEL,ORFS			
88940	811-16	HOSE,1 INCH ID			
88944	1J988-20-20	HOSE END,90° FEMALE SWIVEL,ORFS			
89403	16 VLO-S	ELBOW,45°,MALE PIPE TO ORFS			

California Proposition 65



WARNING

Operating, servicing and maintaining this equipment can expose you to chemicals including engine exhaust, carbon monoxide, phthalates, and lead, which are known to the State of California to cause cancer and birth defects or other reproductive harm. These chemicals can be emitted from or contained in other various parts and systems, fluids and some component wear by-products. To minimize exposure, avoid breathing exhaust, do not idle the engine except as necessary, service your equipment and vehicle in a well-ventilated area and wear gloves or wash your hands frequently when servicing your equipment or vehicle and after operation. For more information go to www.P65Warnings.ca.gov/passenger-vehicle.

Breathing diesel engine exhaust exposes you to chemicals known to the State of California to cause cancer and birth defects or other reproductive harm.

- Always start and operate the engine in a well-ventilated area.
- If in an enclosed area, vent the exhaust to the outside.
- Do not modify or tamper with the exhaust system.
- Do not idle the engine except as necessary.

For more information go to www.P65warnings.ca.gov/diesel.

Parts Manual

Super Hoist

from SN 4193-93 to 4101-8906
from SN GH02-8907 to GH16-59748
from SN GH16G-59749 to GH16G-61099
from SN GHG-61100 to GHG-64198
from SN GHP-64199

Part No.
82298

Rev E12

Genie
A TEREX BRAND