



# *Parts Manual*

Serial Number Range

## *Genie Winches*

Part No. 35503  
Rev A22  
November 2018

---

## Technical Publications

Genie has endeavored to deliver the highest degree of accuracy possible. However, continuous improvement of our products is a Genie policy. Therefore, product specifications are subject to change without notice.

Readers are encouraged to notify Genie of errors and send in suggestions for improvement. All communications will be carefully considered for future printings of this and all other manuals.

---

## Contact Us:

Internet: [www.genielift.com](http://www.genielift.com)  
e-mail: [awp.techpub@terex.com](mailto:awp.techpub@terex.com)

---

## Find a Manual for this Model

Go to <http://www.genielift.com>

Use the links to locate Operator's, Parts, Maintenance, and Service and Repair Manuals.

---

Copyright © 2011 by Terex Corporation  
35503 Rev A December 2013  
First Edition, Second Printing

"Genie is a registered trademark of Terex South Dakota in the USA and many other countries. "GS" is a trademark of Terex South Dakota, Inc.



**This Page Intentionally Left Blank**

## Table of Contents

This manual is updated frequently. If you have a printed manual, you can keep it up to date by downloading new figures from the Genie website at [www.genielift.com](http://www.genielift.com). For the most up-to-date parts information, visit the Parts Lookup System on the Genie website at [www.genielift.com](http://www.genielift.com).

How to Read Your Serial Number.....	3
Parts Stocking List.....	7
How to Order Parts.....	8
Service Parts Fax Order Form.....	9

### **Electronic Version**

Click on any page number to view the figure.

### **100 Single-handed Work Winches**

101.1 Fulton Model 935.....	10
102.1 Dutton - Lainson Model B 1200.....	12
103.1 Fulton Model K1000.....	14
104.1 Fulton Model K1050.....	16
105.1 Fulton Model KX1051.....	18

### **200 Double-handed Work winches**

201.1 Fulton Model 945.....	20
202.1 Fulton Model K1500.....	22
203.1 Fulton Model K1500 "Genie Modified".....	24
204.1 Fulton KX1550.....	26
205.1 Fulton Model K1550.....	28

### **Indices**

Part Number Index.....	30
Part Description Index.....	31

### **Cross References**

***This Page Intentionally Left Blank***



### Spare Parts

Many of the parts listed inside this parts manual are obsolete and unavailable from Genie Industries. This manual provides the reader with the information necessary to identify their work winch.

### Recommended Parts

Description	Part No.
Large Bushing .....	6204
Friction Disc .....	5157
Ratchet Kit .....	6291
Cable Keeper Kit .....	6190

## How To Order Parts

### How to Order Parts

Please be prepared with the following information when ordering replacement parts for your Terex or Genie product.

- Machine model number
- Machine serial number
- Part number
- Part description and quantity
- Purchase order number
- "Ship to" address
- Desired method of shipment
- Name and telephone number of the authorized distributor in your area.

Use the Service Parts Fax Order Form on the next page and fax your order to our Parts Department.

If you don't know the name of your authorized distributor, or if your area is not currently serviced by an authorized distributor, please call Terex or Genie Industries.

### Machine Information

\_\_\_\_\_

Model

\_\_\_\_\_

Serial Number

\_\_\_\_\_

Date of Purchase

\_\_\_\_\_

Authorized Genie Distributor

\_\_\_\_\_

Phone Number

#### North America

Telephone (425)881-1800  
 Toll Free (800)536-1800 in US and Canada  
 Fax (425)556-8659  
 Toll Free fax (888)274-6192  
 Email [AWP.PartsSalesPO@terex.com](mailto:AWP.PartsSalesPO@terex.com)  
<http://genielift.com/en>

#### EMEAR (Europe, Middle East, Africa and Russia)

Telephone (31)(165)519 313  
 Fax (31)(165)511 148  
<http://genielift.co.uk>

#### Asia Pacific (Genie Singapore)

Telephone +65 6692 7777  
 Fax +65 6261 8893  
<http://genielift.com.sg/>

#### Australia

Telephone (61)(7)3456 4444  
 Fax (61)(7)3456 4466  
<http://genielift.com.au>

#### South America

Telephone (55)(11)4082 5600  
 Fax (55)(11)4082 5630





**Service Parts Fax Order Form**

Fax to: (425) 556-8659 or Toll Free: 888-274-6192  
International: +1-425-556-8659

**Please fill out completely**

Date \_\_\_\_\_ Account Number \_\_\_\_\_  
 Your Name \_\_\_\_\_ Your Fax Number \_\_\_\_\_  
 \_\_\_\_\_ Your Phone Number \_\_\_\_\_  
 Bill To \_\_\_\_\_ Ship To \_\_\_\_\_  
 \_\_\_\_\_  
 \_\_\_\_\_  
 Purchase Order Number \_\_\_\_\_ Ship Via \_\_\_\_\_

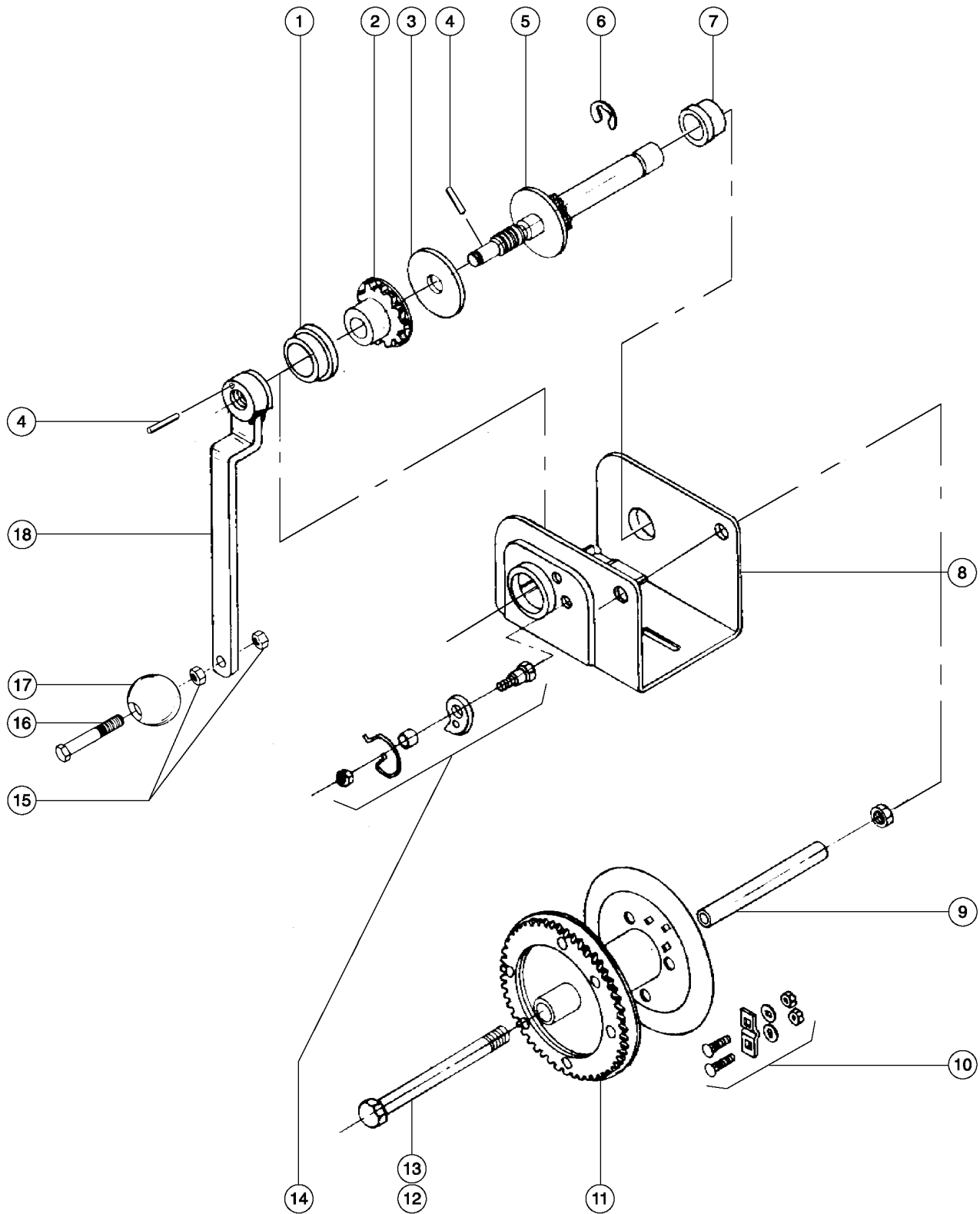
**Model(s)** \_\_\_\_\_ **Serial No.(s)** \_\_\_\_\_  
**Optional Equipment** \_\_\_\_\_

Part Number	Description	Quantity	Price

**All back-ordered parts will be shipped when available via the same ship method as the original order unless Noted below:**

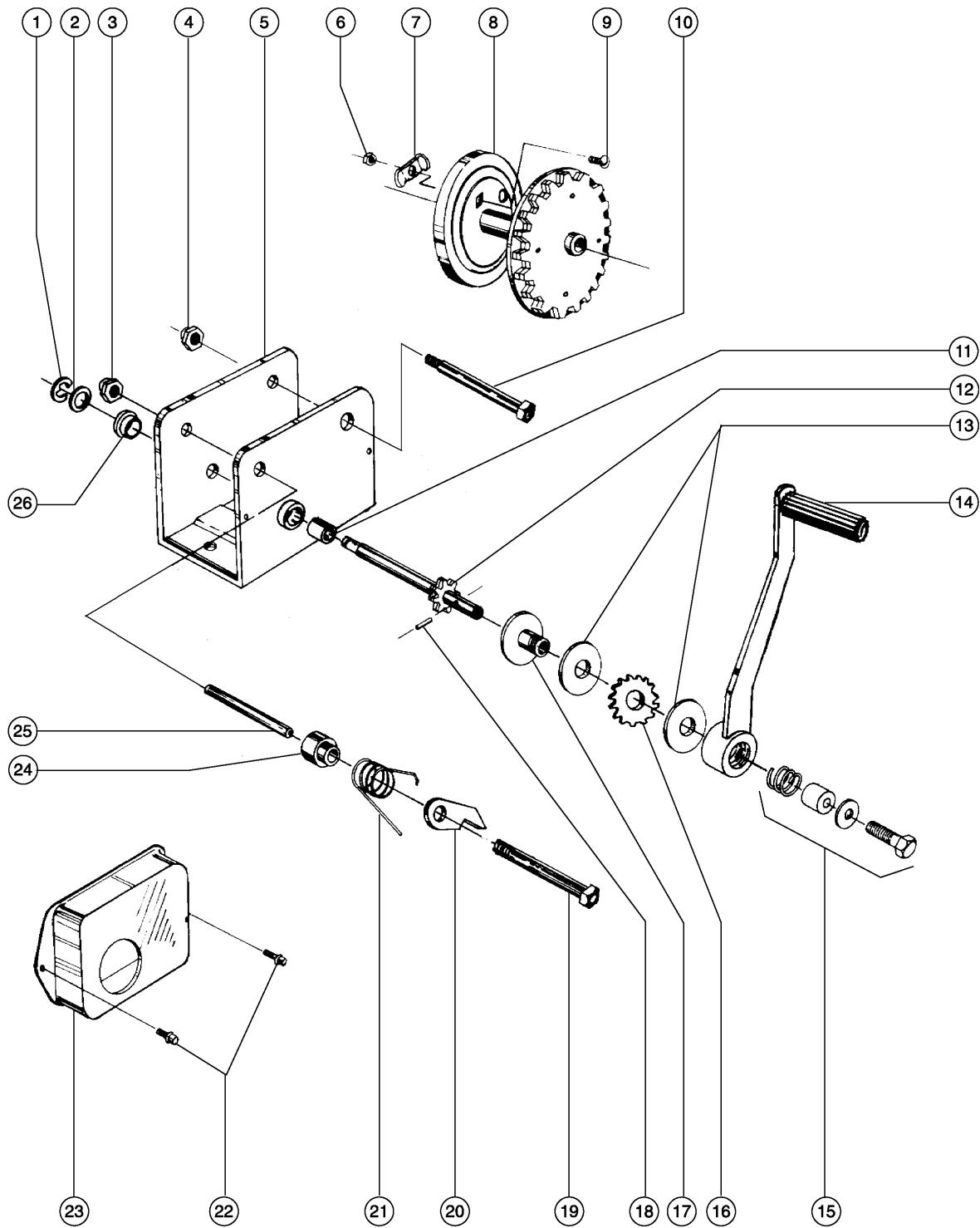
- Ship complete order only - No back orders
- Ship all available parts and contact customer on disposition of back-ordered parts
- Other (please specify)

101.1 Fulton Model 935



Item	Part No.	Description	Qty.
1	6204GT	BUSHING, LARGE PINION, FULTON.....1	
2		RATCHET GEAR ASSEMBLY.....1 <i>(the ratchet gear assembly, PN 5159, is no longer available as a service part)</i>	
3	5157GT	FRICTION DISC, KX-1000,050,051.....1	
4	6608GT	PIN,ROLL,.188 X .75.....2	
5	5109GT	WINCH ASSEMBLY-GL/HL KX1051.....1	
6	5315GT	Retaining Ring.....1	
7	1256081GT	SERVICE KIT,PINION SHAFT-K1550.....2	
8	5316GT	Frame Assembly.....1	
9		SPACER, DRUM BOLT, K-1000,1050 (5320).....1 <i>component no longer available</i>	
10	6190GT	CABLE KEEP.KIT (BRACKET TYPE)*.....1 <i>includes mounting fasteners</i>	
11	5321GT	Cable Drum Assembly.....1	
12	12981GT	SCREW,HHC,3/8-16 X 4.5.....1	
13	12012GT	NUT,LOCK,3/8-16.....1	
14	5156GT	RATCHET KIT,K-1000 SERIES,935.....2	
15	4828GT	NUT,NYLOCK,3/8-16.....2	
16	6086GT	NUT,LP NYLOCK,1/2-13.....1	
17	6082GT	HANDLE BALL KNOB.....1	
18	5168GT	WINCH HANDLE,KX-1000.....1 <i>includes index numbers 4 and 15 through 17</i>	

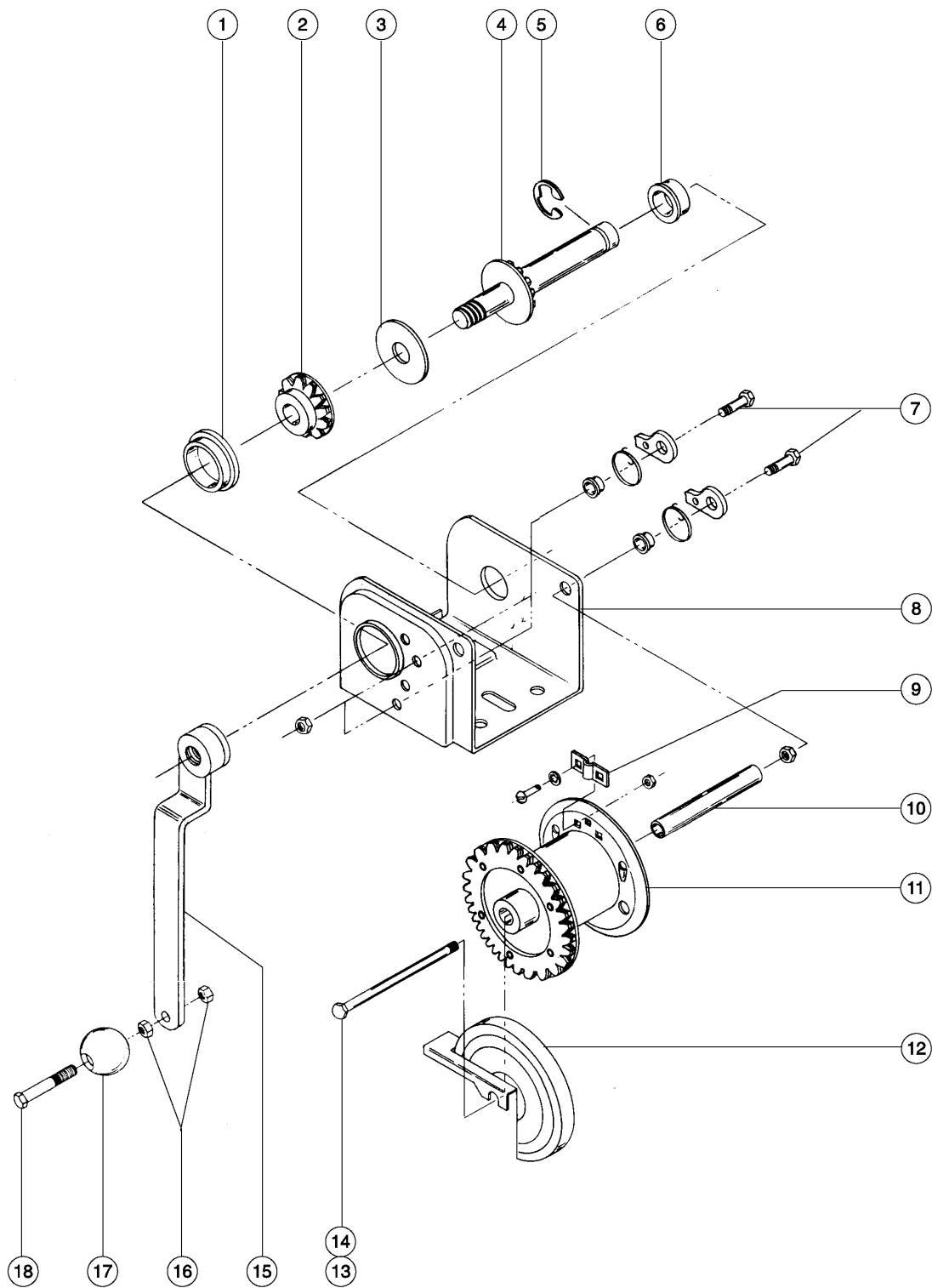
102.1 Dutton - Lainson Model B 1200



## 102.1 Dutton - Lainson Model B 1200

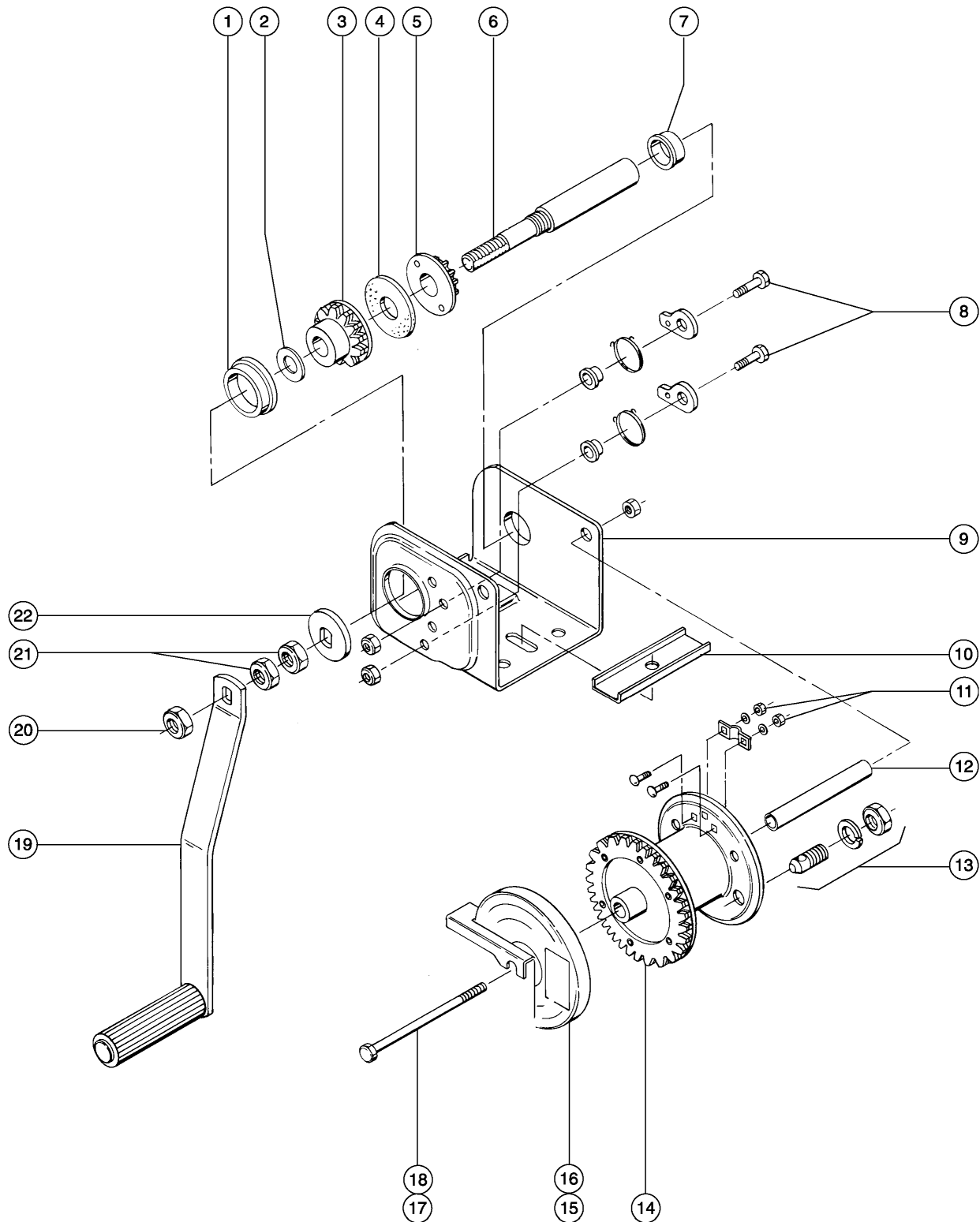
Item	Part No.	Description	Qty.
1	5341GT	Retaining Ring.....	1
2	5350Z	FORK SUPT.TUBE, H.L.,ZINC-19.5..... <i>replaced 5340GT</i>	1
3	5337GT	Locknut, 3/8 inch.....	1
4	5342GT	Locknut, 7/16 inch.....	1
5	5322GT	Winch Frame.....	1
6	5335GT	Nut - Hex, 1/4 inch.....	1
7	5336GT	Rope Clamp.....	1
8	5358GT	OUTRIGGER ASSY, REAR-GL.....	1
9	5334GT	Carriage Bolt.....	1
10	5325GT	HL CARRIAGE ASSEMBLY.....	1
11	5339GT	Needle Bearing, 9/16 inch.....	1
12	5357GT	Drive Shaft Assembly.....	1
13	5326GT	OBS.BRAKE LINING PRESSURE PL.....	2
14	5329GT	WINCH HANDLE (DUTTON).....	1
15		OBS.BRAKE ADAPTER KIT..... <i>(component no longer available)</i>	1
16	5324GT	RATCHET WHEEL/ DUTTON LAINSON.....	1
17	5327GT	Brake Winch Hub Assembly.....	1
18	5328GT	Roll Pin.....	1
19	5333GT	Ratchet Pawl Bolt.....	1
20	5332GT	RATCHET PAWL/DUTTON LAINSON.....	1
21	5331GT	OBS.RATCHET SPRING, DUTTON B-1.....	1
22	5355GT	Self-tapping Screw.....	2
23	5356GT	Gear Cover.....	1
24	5330GT	Ratchet Pawl Spacer Bushing.....	1
25	5338GT	Spacer Sleeve.....	1
26	5323GT	Oilite Bearing.....	1

103.1 Fulton Model K1000



Item	Part No.	Description	Qty.
--	14189GT	PINION PLATE (KX/KH-1051,1050) <i>includes item 3</i>	
1	6204GT	BUSHING, LARGE PINION, FULTON.....1	
2		RATCHET GEAR ASSEMBLY.....1 <i>(the ratchet gear assembly, PN 5159, is no longer available as a service part)</i>	
3		FRICITION DISC, KX-1000,050,051 (5157).....1 <i>(component no longer available)</i>	
4	5109GT	WINCH ASSEMBLY-GL/HL KX1051.....1	
5	5315GT	Retaining Ring.....1	
6	1256081GT	SERVICE KIT,PINION SHAFT-K1550.....2	
7	5156GT	RATCHET KIT,K-1000 SERIES,935.....2 <i>includes mounting fasteners</i>	
8	5316GT	Frame Assembly.....1	
9	6190GT	CABLE KEEP.KIT (BRACKET TYPE)*.....1 <i>includes mounting fasteners</i>	
10		SPACER, DRUM BOLT, K-1000,1050 (5320).....1 <i>component no longer available</i>	
11	5321GT	Cable Drum Assembly.....1	
12		COVER, DRUM, KX-1000,050,051 (5376).....1 <i>component no longer available</i>	
13	12981GT	SCREW,HHC,3/8-16 X 4.5.....1	
14	12012GT	NUT,LOCK,3/8-16.....1	
15	5168GT	WINCH HANDLE,KX-1000.....1 <i>includes index numbers 16 through 18</i>	
16	4828GT	NUT,NYLOCK,3/8-16.....2	
17	6082GT	HANDLE BALL KNOB.....1	
18	6086GT	NUT,LP NYLOCK,1/2-13.....1	

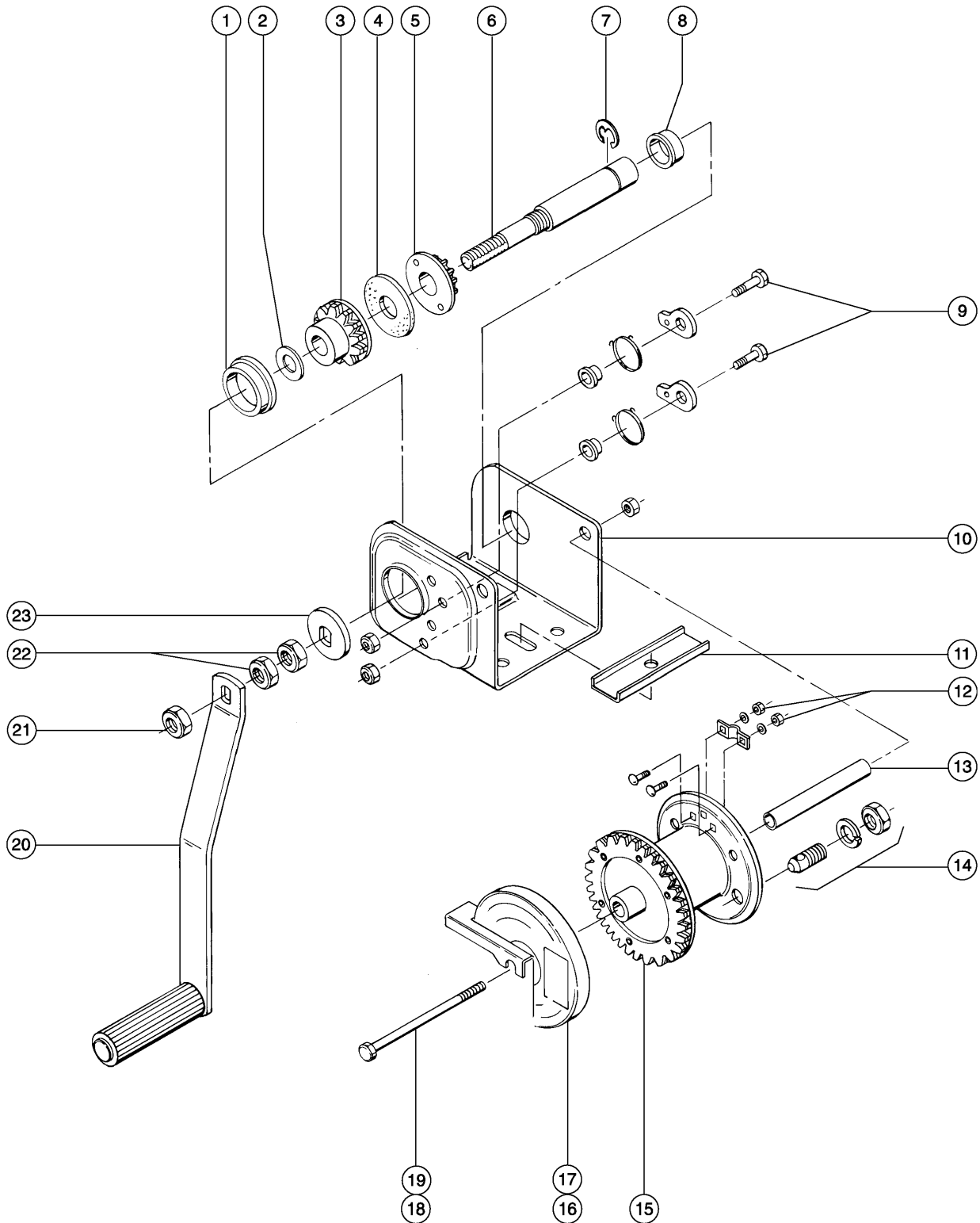
104.1 Fulton Model K1050





Item	Part No.	Description	Qty.
1	6204GT	BUSHING, LARGE PINION, FULTON.....1	1
2	14190GT	WASHER, THRUST, KX-1050,1051.....1	1
3	14191GT	RATCHET GEAR ASSY, K-1050,1051.....1	1
4		FRICITION DISC, KX-1000,050,051 (5157).....1 <i>(component no longer available)</i>	1
5		PINION GEAR ASSY, KX-1050,1051 (14193).....1 <i>component no longer available</i>	1
6	14194GT	PINION SHAFT, KX-1050,1051.....1	1
7		BUSHING, SMALL PINION, FULTON (6199).....1 <i>(component no longer available)</i>	1
8	5156GT	RATCHET KIT, K-1000 SERIES, 935.....2 <i>includes bolt, pawl, spring and nut</i>	2
9		Ref. Winch Housing.....1	1
10	1280486GT	PLATE, WINCH REINFORCEMENT, FLAT.....1	1
11	6190GT	CABLE KEEP.KIT (BRACKET TYPE)* .....2 <i>includes nut, lock washer, keeper clip and nut</i>	2
12		SPACER, DRUM BOLT, K-1000,1050 (5320).....1 <i>component no longer available</i>	1
13	9134GT	CABLE KEEP.KIT (THREADED STUD).....1	1
14		Ref. Drum Assembly.....1	1
15		COVER, DRUM, KX-1000,050,051 (5376).....1 <i>component no longer available</i>	1
16	5343GT	DECAL, MAINT. LUBRICATION, YLW.....1	1
17	12981GT	SCREW, HHC, 3/8-16 X 4.5.....1	1
18	12012GT	NUT, LOCK, 3/8-16.....1	1
19	16342GT	WINCH HANDLE-O.A.LENGTH-11".....1	1
19	16344GT	WINCH HANDLE-O.A.LENGTH-6.25".....1	1
20	6086GT	NUT, LP NYLOCK, 1/2-13.....1	1
21	6034GT	NUT, HEX, JAM, 1/2-13.....2	2
22	14189GT	PINION PLATE (KX/KH-1051,1050).....1 <i>includes item 4</i>	1

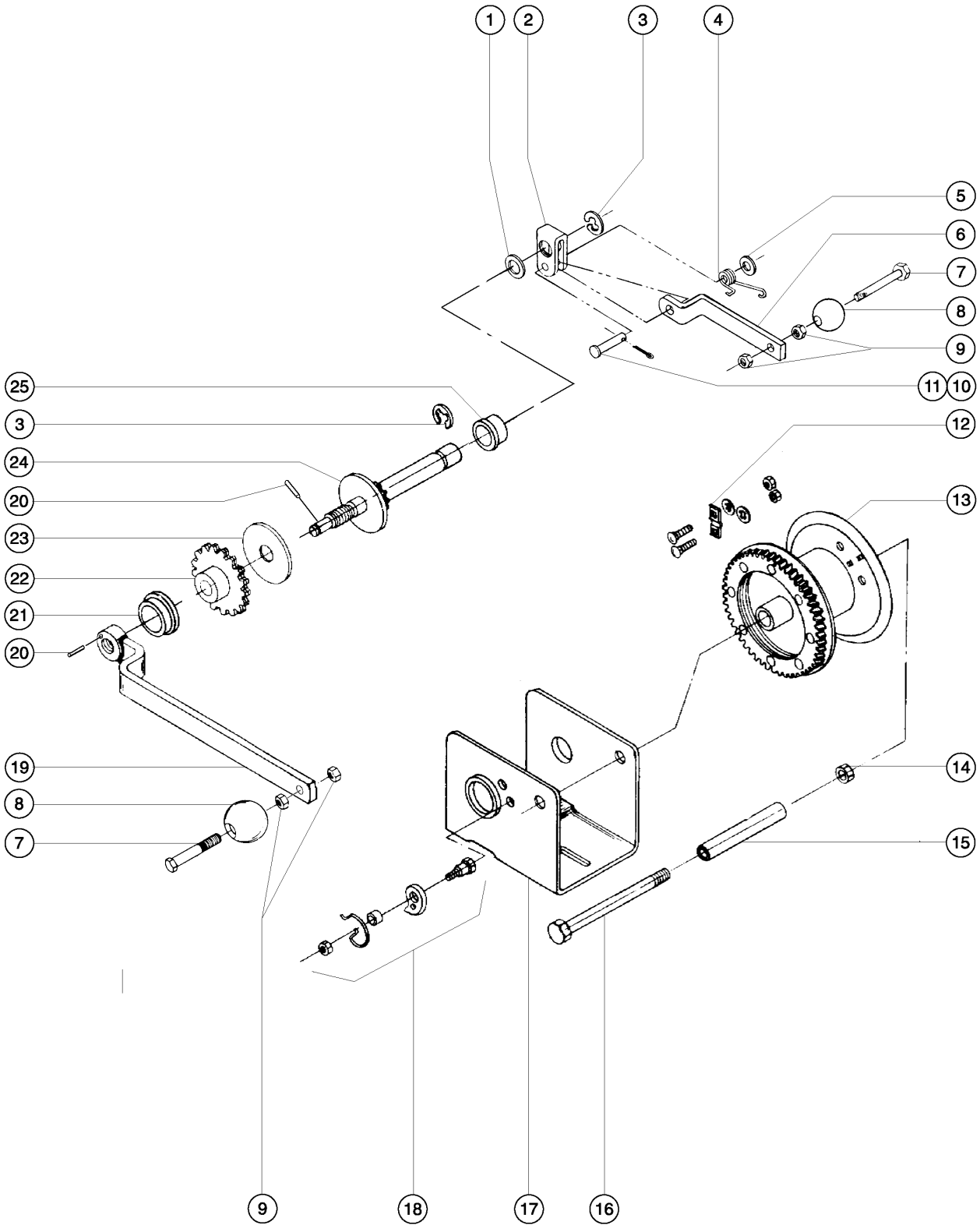
105.1 Fulton Model KX1051



## 105.1 Fulton Model KX1051

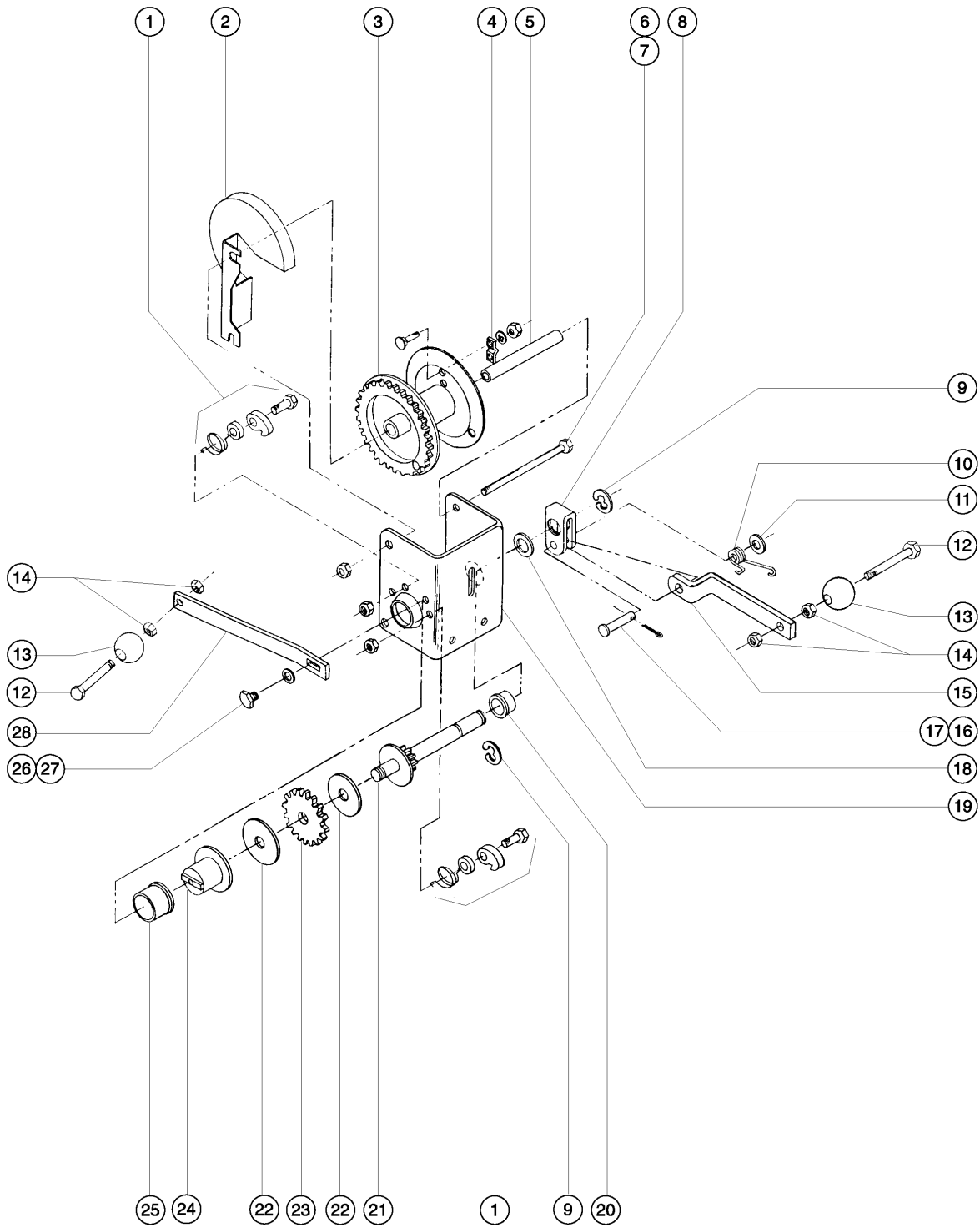
Item	Part No.	Description	Qty.
1	6204GT	BUSHING, LARGE PINION, FULTON.....1	
2	14190GT	WASHER, THRUST, KX-1050,1051.....1	
3	14191GT	RATCHET GEAR ASSY, K-1050,1051.....1	
4	5157GT	FRICTION DISC, KX-1000,050,051.....1	
5		PINION GEAR ASSY, KX-1050,1051 (14193).....1 <i>component no longer available</i>	
6	14194GT	PINION SHAFT, KX-1050,1051.....1	
7		RETAINING RING (6200).....1 <i>component no longer available</i>	
8		BUSHING, SMALL PINION, FULTON (6199).....1 <i>component no longer available</i>	
9	5156GT	RATCHET KIT, K-1000 SERIES, 935.....2 <i>includes bolt, pawl, spring and nut</i>	
10		Ref. Winch Housing.....1	
11	15657P-SGT	WINCH REINFORCE. PLATE --(BLUE)...1	
12	6190GT	CABLE KEEP. KIT (BRACKET TYPE)* .....2 <i>includes nut, lock washer, keeper clip and nut</i>	
13		SPACER, DRUM BOLT, K-1000,1050 (5320).....1 <i>component no longer available</i>	
14	9134GT	CABLE KEEP. KIT (THREADED STUD).....1	
15		Ref. Drum Assembly.....1	
16		COVER, DRUM, KX-1000,050,051 (5376).....1 <i>component no longer available</i>	
17	5343GT	DECAL, MAINT. LUBRICATION, YLW.....1	
18	12981GT	SCREW, HHC, 3/8-16 X 4.5.....1	
19	12012GT	NUT, LOCK, 3/8-16.....1	
20	16342GT	WINCH HANDLE-O.A. LENGTH-11".....1	
20	16344GT	WINCH HANDLE-O.A. LENGTH-6.25".....1	
21	6086GT	NUT, LP NYLOCK, 1/2-13.....1	
22	6034GT	NUT, HEX, JAM, 1/2-13.....2	
23	14189GT	PINION PLATE (KX/KH-1051,1050).....1 <i>includes item 4</i>	

201.1 Fulton Model 945



Item	Part No.	Description	Qty.
1	6299GT	OBS.SEE 7557-SPACER.....	1
2	6208GT	OBS. SEE 7557-CRANK HINGE.....	1
3		RETAINING RING (6200)..... <i>(component no longer available)</i>	2
4	6218GT	SPRING, HELPER HANDLE.....	1
5	6097GT	WASHER,FLAT,USS,3/8",Y.....	1
6	6214GT	OBS.SEE 7557-HELPER HANDLE.....	1
7	6081GT	OBS.SEE 6708,BOLT.....	2
8	6082GT	HANDLE BALL KNOB.....	2
9	4828GT	NUT,NYLOCK,3/8-16.....	4
10	6284GT	Pin - Clevis.....	1
11	6265GT	OBSOLETE SEE 12016.....	1
12	6190GT	CABLE KEEP.KIT (BRACKET TYPE)* ..... <i>includes mounting fasteners</i>	1
13		Ref. Cable Drum.....	1
14	6198GT	NUT,NYLOCK,1/2-13.....	1
15	6184GT	SPACER, DRUM BOLT, K-1550.....	1
16	6185GT	BOLT, DRUM SPACER.....	1
17		Ref. Winch Frame.....	1
18	6197GT	RATCHET KIT (945)OBS SEE 6291.....	1
19	6779GT	OBS.SEE 7557 (HANDLE).....	1
20	6608GT	PIN,ROLL,,188 X .75.....	2
21	6204GT	BUSHING, LARGE PINION, FULTON.....	1
22		RATCHET GEAR,K-1550 1/2" I.D. (6777)..... <i>(component no longer available)</i>	1
23	6202GT	BRAKE FACE,K-1500 (.625 BORE).....	1
24	6285GT	Pinion Shaft.....	1
25		BUSHING, SMALL PINION, FULTON (6199)..... <i>(component no longer available)</i>	1

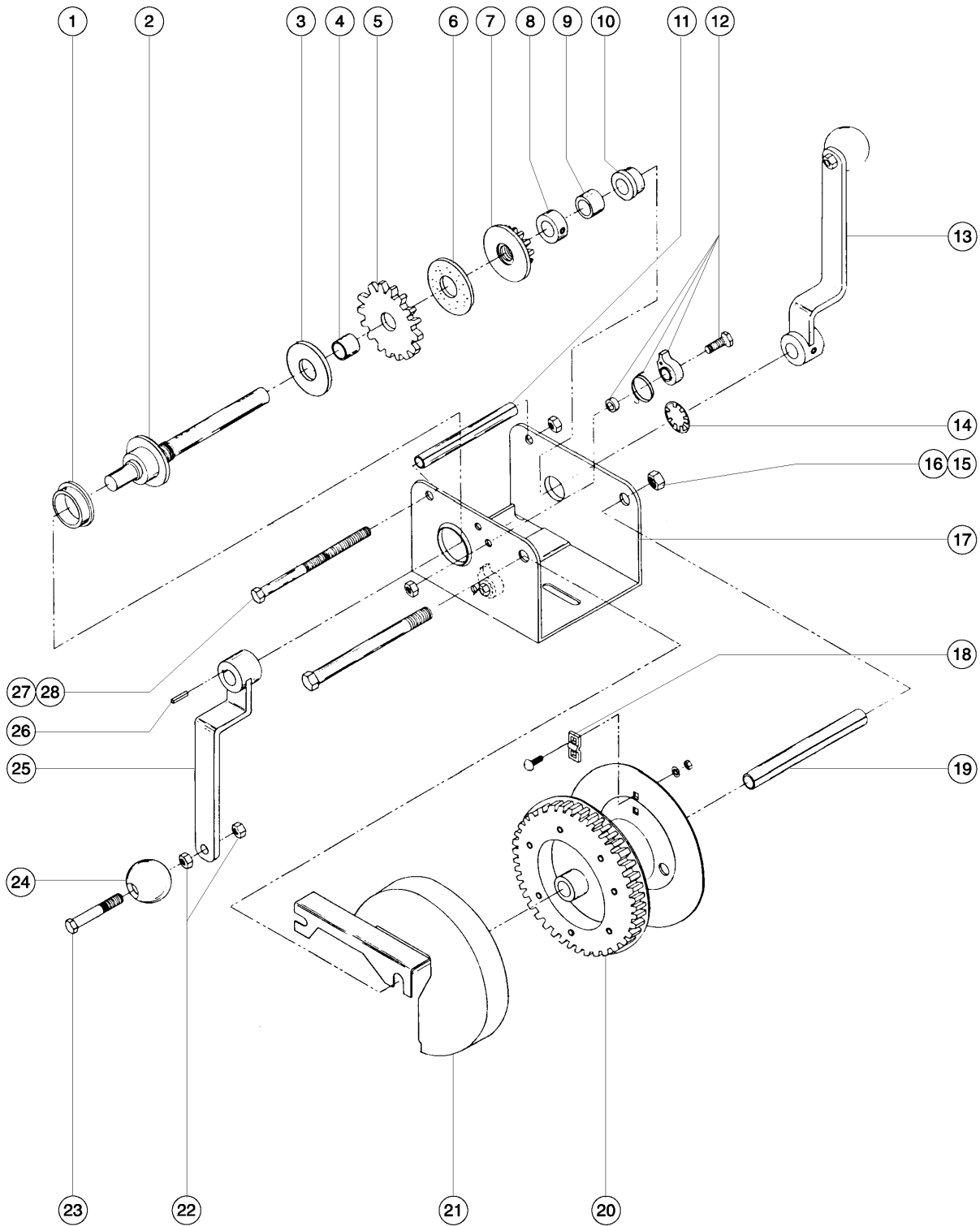
202.1 Fulton Model K1500



## 202.1 Fulton Model K1500

Item	Part No.	Description	Qty.
1	6197GT	RATCHET KIT (945)OBS SEE 6291.....	2
2	6770GT	WINCH GEAR COVERS, K-1500.....	1
3		Ref. Cable Drum.....	1
4	6190GT	CABLE KEEP.KIT (BRACKET TYPE)*..... <i>includes mounting fasteners</i>	1
5	6184GT	SPACER, DRUM BOLT, K-1550.....	1
6	6185GT	BOLT, DRUM SPACER.....	1
7	6198GT	NUT,NYLOCK,1/2-13.....	1
8	6208GT	OBS. SEE 7557-CRANK HINGE.....	1
9		RETAINING RING (6200)..... <i>(component no longer available)</i>	2
10	6218GT	SPRING, HELPER HANDLE.....	1
11	6097GT	WASHER,FLAT,USS,3/8",Y.....	1
12	6081GT	OBS.SEE 6708,BOLT.....	2
13	6082GT	HANDLE BALL KNOB.....	2
14	4828GT	NUT,NYLOCK,3/8-16.....	4
15	6214GT	OBS.SEE 7557-HELPER HANDLE.....	1
16	6284GT	Pin - Clevis.....	1
17	6265GT	OBSOLETE SEE 12016.....	1
18	6299GT	OBS.SEE 7557-SPACER.....	1
19		Ref. Winch Frame.....	1
20	1256081GT	SERVICE KIT,PINION SHAFT-K1550....	2
21	6285GT	Pinion Shaft.....	1
22	6202GT	BRAKE FACE,K-1500 (.625 BORE).....	2
23	1256081GT	SERVICE KIT,PINION SHAFT-K1550....	1
24	6788GT	Brake Nut.....	1
25	6204GT	BUSHING, LARGE PINION, FULTON....	1
26	6783GT	Screw - HHC, 1/4 -20 x 0.625 inch.....	1
27	6638GT	WASHER,FLAT,USS,1/4"Y.....	1
28	6779GT	OBS.SEE 7557 (HANDLE).....	2

203.1 Fulton Model K1500 "Genie Modified"

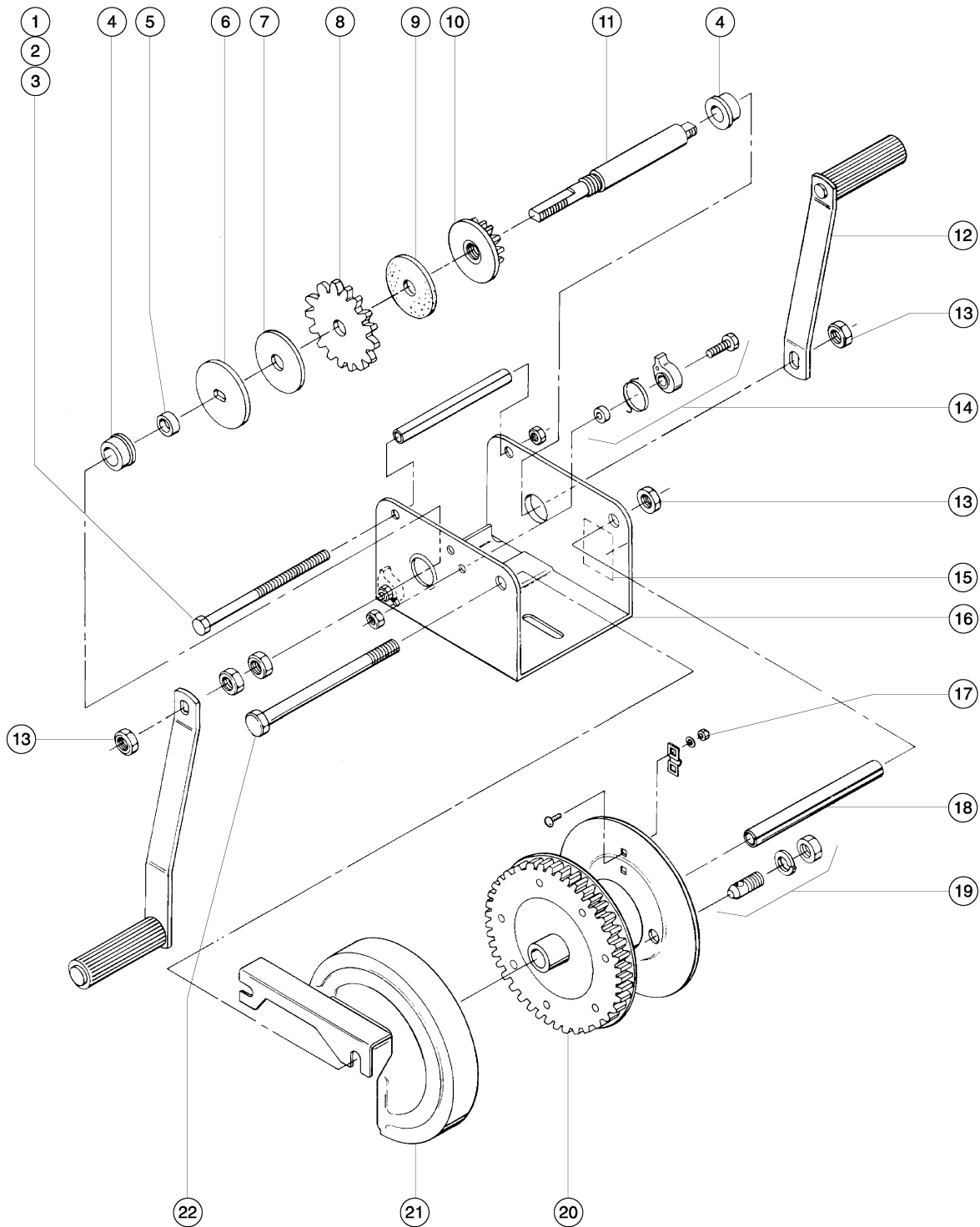




## 203.1 Fulton Model K1500 "Genie Modified"

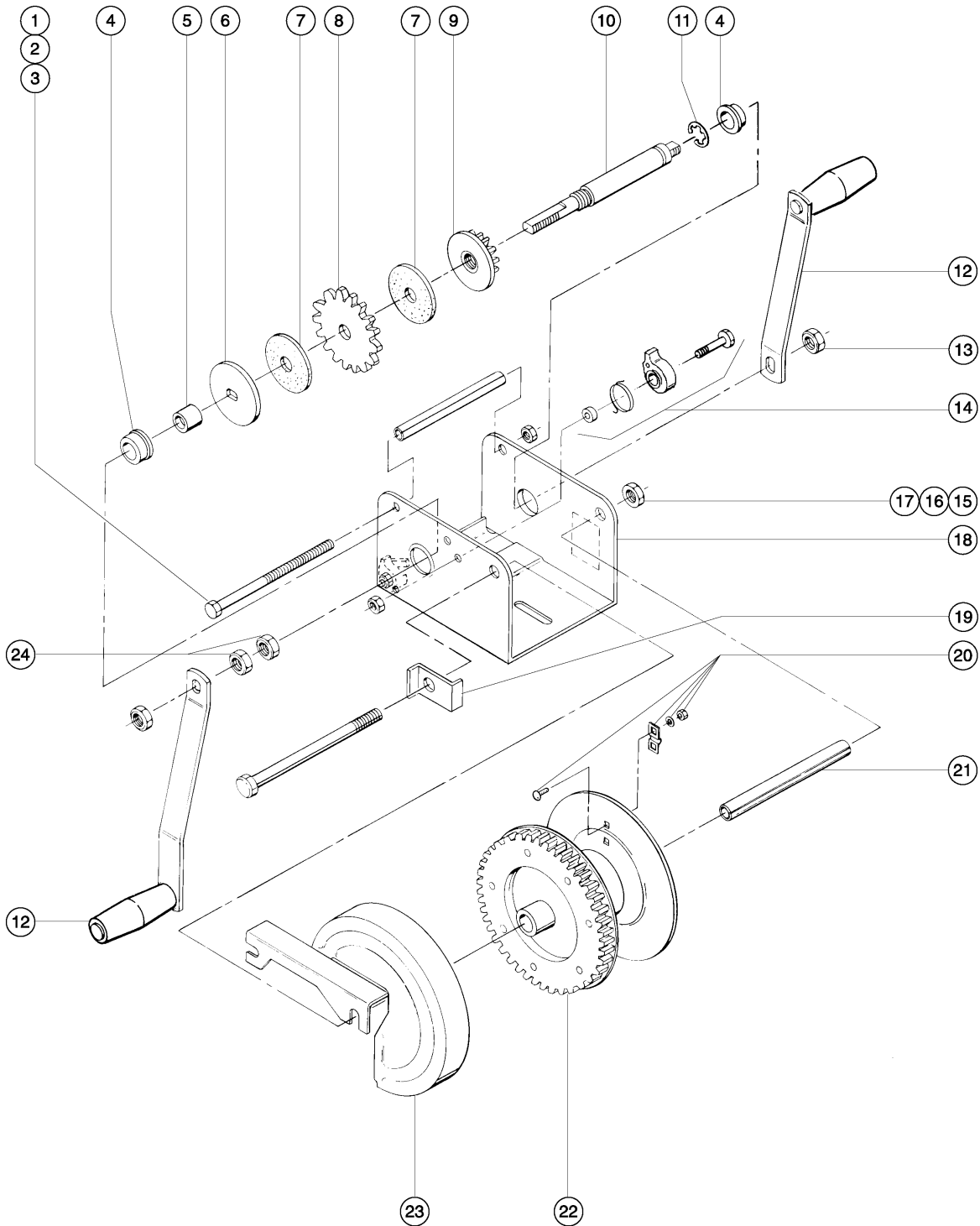
Item	Part No.	Description	Qty.
1	6204GT	BUSHING, LARGE PINION, FULTON.....1	1
2	7556GT	Pinion Shaft Weldment.....1	1
3	6150GT	BRAKE FRICTN DSK, PLY.875 BORE....1	1
4	10010GT	BUSHING,BRONZE,,875X.750X.500.....1	1
5	7549GT	RATCHET GEAR,,875 BORE,GEN.WIN.....1	1
6	6151GT	FRICITION DISK,,875 BORE.....1	1
7		PINION GEAR ASSY, KX-1050,1051 (14193).....1 <i>component no longer available</i>	1
8	7579GT	Set Collar.....1	1
9	7580GT	SPACER-OBS(NOT OFFERED - P/S)....1	1
10	7561GT	FLANGED BUSHING,GENIE WINCH....1	1
11		FRAME SPACER,K-1550 (7584).....1 <i>(not sold separately)</i>	1
12	6291GT	RATCHET KIT (K-1500,K-1550)**.....2 <i>includes mounting fasteners</i>	2
13	7557GT	RETRO FIT KIT, FULTON WINCH.....2 <i>includes index numbers 15-18</i>	2
13	7581GT	Short Handle Assembly.....2 <i>includes index numbers 15-18</i>	2
14		washer.....1 <i>(component no longer available)</i>	1
15	6198GT	NUT,NYLOCK,1/2-13.....1	1
16	6185GT	BOLT, DRUM SPACER.....1	1
17		Ref. Winch Housing.....1	1
18	6190GT	CABLE KEEP.KIT (BRACKET TYPE)* .....1 <i>includes mounting fasteners</i>	1
19	6184GT	SPACER, DRUM BOLT, K-1550.....1	1
20		Ref. Cable Drum Assembly.....1	1
21	6770GT	WINCH GEAR COVERS, K-1500.....1	1
22	4828GT	NUT,NYLOCK,3/8-16.....4	4
23	8178GT	SCREW,HHC,3/8-16 X 2.5.....2	2
24	6082GT	HANDLE BALL KNOB.....2	2
25	7557GT	RETRO FIT KIT, FULTON WINCH.....2	2
26	7574GT	KEY STOCK,(.125)-1".....2	2
27		3/8-16 X 5.75-HOUS.SPACE BOLT (7585).....1 <i>(component no longer available)</i>	1
28	4828GT	NUT,NYLOCK,3/8-16.....1	1

204.1 Fulton KX1550



Item	Part No.	Description	Qty.
--	7504GT	WINCH ASSEMBLY-SL/M9.5 MAST	
--	7505GT	WINCH ASSY (OLD STYLE SL/ST)	
--		SERVICE KIT,PINION SHAFT-K1550 (1256081) <i>(component no longer available)</i>	
--	1256083GT	SVC KIT, FRICTION DISC K/KX <i>includes qty 2 of item 9</i>	
1	7256GT	SCREW,HHC,5/16-18 X 6 GRD.2.....	1
2		FRAME SPACER,K-1550 (7584)..... <i>(component no longer available)</i>	1
3	12012GT	NUT,LOCK,3/8-16.....	1
4		BUSHING, SMALL PINION, FULTON (6199)..... <i>(component no longer available)</i>	2
5		WINCH, PINION SPACER,SM,KX1550 (7598)..... <i>(component no longer available)</i>	1
6		WINCH PINION PLATE, K-1550 (7591).....	1
7		BRAKE DISK,POLY,.5 BORE,K-1550.... <i>No longer available</i>	1
8		RATCHET GEAR,K-1550 1/2" I.D. (6777)..... <i>(component no longer available)</i>	1
9		BRAKE DISK,.5 BORE,K-1550 (7571).... <i>(component no longer available)</i>	1
10		PINION GEAR AND DISC K-1550 (7590)..... <i>(component no longer available)</i>	1
11		WINCH PINION SHAFT, K-1550 (7588)..... <i>(component no longer available)</i>	1
12A	16344GT	WINCH HANDLE-O.A.LENGTH-6.25".....	2
12B	33144GT	WINCH HANDLE 8" STD.**.....	2
13	6086GT	NUT,LP NYLOCK,1/2-13.....	4
14	6291GT	RATCHET KIT (K-1500,K-1550)**..... <i>includes mounting fasteners</i>	2
15	6787GT	DECAL,WINCH LUBE INST.....	1
16		Ref. Winch Housing.....	1
17	6190GT	CABLE KEEP.KIT (BRACKET TYPE)*..... <i>includes mounting fasteners</i>	1
18	6184GT	SPACER, DRUM BOLT, K-1550.....	1
19	9134GT	CABLE KEEP.KIT (THREADED STUD)..... <i>includes mounting fasteners</i>	1
20		Ref. Cable Drum Assembly..... <i>(component no longer available)</i>	1
21	6770GT	WINCH GEAR COVERS, K-1500.....	1
22	6185GT	BOLT, DRUM SPACER.....	1

205.1 Fulton Model K1550



## 205.1 Fulton Model K1550

Item	Part No.	Description	Qty.
--		SERVICE KIT,PINION SHAFT-K1550 (1256081) <i>(component no longer available)</i>	
--	1256083GT	SVC KIT, FRICTION DISC K/KX <i>includes qty 2 of item 7</i>	
--	32945GT	WINCH,W/DECAL 1SPEED SL/ST <i>handles not included</i>	
1	7256GT	SCREW,HHC,5/16-18 X 6 GRD.2.....	1
2		FRAME SPACER,K-1550 (7584)..... <i>(component no longer available)</i>	1
3	12012GT	NUT,LOCK,3/8-16.....	1
4		BUSHING, SMALL PINION, FULTON (6199)..... <i>(component no longer available)</i>	2
5		SPACER,PINION SHAFT (32890)..... <i>(component no longer available)</i>	1
6		WINCH PINION PLATE, K-1550 (7591)..... <i>(component no longer available)</i>	1
7		BRAKE DISK,.5 BORE,K-1550 (7571).... <i>(component no longer available)</i>	2
8		RATCHET GEAR,K-1550 1/2" I.D. (6777)..... <i>(component no longer available)</i>	1
9		PINION GEAR AND DISC K-1550 (7590)..... <i>(component no longer available)</i>	1
10		SHAFT,PINION (32891)..... <i>(component no longer available)</i>	1
11		RETAINING RING (6200)..... <i>(component no longer available)</i>	1
12	33143GT	WINCH HANDLE 6" STD.....	2
12	33144GT	WINCH HANDLE 8" STD.**.....	2
13	6086GT	NUT,LP NYLOCK,1/2-13.....	2
14	6291GT	RATCHET KIT (K-1500,K-1550)**.....	2
15	6086GT	NUT,LP NYLOCK,1/2-13.....	1
16	6184GT	SPACER, DRUM BOLT, K-1550.....	1
17	6185GT	BOLT, DRUM SPACER.....	1
18		FRAME & DRUM SUPPORT..... <i>(component no longer available)</i>	1
19		WINCH BRACKET, DRUM BOLT LOCK (31946)..... <i>(not sold separately)</i>	1
20	6190GT	CABLE KEEP.KIT (BRACKET TYPE)*.....	1
21	6184GT	SPACER, DRUM BOLT, K-1550.....	1
22		Ref. Drum Assembly.....	1
23	6770GT	WINCH GEAR COVERS, K-1500.....	1
24	6034GT	NUT,HEX,JAM,1/2-13.....	2

## Part Number Index

The Part Number Index is a numeric index of all part numbers included in this manual. The index shows what page(s) the part is used on.

Part Number	Page	Part Number	Page
10010GT	25	6299GT	21, 23
12012GT	11, 15, 17, 19, 27, 29	6608GT	11, 21
1256081GT	11, 15, 23	6638GT	23
1256083GT	27, 29	6770GT	23, 25, 27, 29
1280486GT	17	6779GT	21, 23
12981GT	11, 15, 17, 19	6783GT	23
14189GT	15, 17, 19	6787GT	27
14190GT	17, 19	6788GT	23
14191GT	17, 19	7256GT	27, 29
14194GT	17, 19	7504GT	27
15657P-SGT	19	7505GT	27
16342GT	17, 19	7549GT	25
16344GT	17, 19, 27	7556GT	25
32945GT	29	7557GT	25
33143GT	29	7561GT	25
33144GT	27, 29	7574GT	25
4828GT	11, 15, 21, 23, 25	7579GT	25
5109GT	11, 15	7580GT	25
5156GT	11, 15, 17, 19	7581GT	25
5157GT	11, 19	8178GT	25
5168GT	11, 15	9134GT	17, 19, 27
5315GT	11, 15		
5316GT	11, 15		
5321GT	11, 15		
5322GT	13		
5323GT	13		
5324GT	13		
5325GT	13		
5326GT	13		
5327GT	13		
5328GT	13		
5329GT	13		
5330GT	13		
5331GT	13		
5332GT	13		
5333GT	13		
5334GT	13		
5335GT	13		
5336GT	13		
5337GT	13		
5338GT	13		
5339GT	13		
5341GT	13		
5342GT	13		
5343GT	17, 19		
5350Z	13		
5355GT	13		
5356GT	13		
5357GT	13		
5358GT	13		
6034GT	17, 19, 29		
6081GT	21, 23		
6082GT	11, 15, 21, 23, 25		
6086GT	11, 15, 17, 19, 27, 29		
6097GT	21, 23		
6150GT	25		
6151GT	25		
6184GT	21, 23, 25, 27, 29		
6185GT	21, 23, 25, 27, 29		
6190GT	11, 15, 17, 19, 21, 23, 25, 27, 29		
6197GT	21, 23		
6198GT	21, 23, 25		
6202GT	21, 23		
6204GT	11, 15, 17, 19, 21, 23, 25		
6208GT	21, 23		
6214GT	21, 23		
6218GT	21, 23		
6265GT	21, 23		
6284GT	21, 23		
6285GT	21, 23		
6291GT	25, 27, 29		

The Part Description Index is an alphabetical index of all part descriptions included in this manual. The index shows what page(s) the part is used on.

**3**  
3/8-16 X 5.75-HOUS.SPACE BOLT (7585).....25

**B**  
BOLT, DRUM SPACER.....21, 23, 25, 27, 29  
BRAKE DISK,.5 BORE,K-1550 (7571).....27, 29  
BRAKE DISK,POLY,.5 BORE,K-1550.....27  
BRAKE FACE,K-1500 (.625 BORE).....21, 23  
BRAKE FRICTN DSK, PLY.875 BORE.....25  
Brake Nut.....23  
Brake Winch Hub Assembly.....13  
BUSHING, LARGE PINION, FULTON.....11, 15, 17, 19, 21, 23, 25  
BUSHING, SMALL PINION, FULTON (6199).....17, 19, 21, 27, 29  
BUSHING,BRONZE,.875X.750X.500.....25

**C**  
Cable Drum Assembly.....11, 15  
CABLE KEEP.KIT (BRACKET TYPE)\* .....11, 15, 17, 19, 21, 23, 25, 27, 29  
CABLE KEEP.KIT (THREADED STUD).....17, 19, 27  
Carriage Bolt.....13  
COVER, DRUM, KX-1000,050,051 (5376)..15, 17, 19

**D**  
DECAL,MAINT. LUBRICATION, YLW.....17, 19  
DECAL,WINCH LUBE INST.....27  
Drive Shaft Assembly.....13

**F**  
FLANGED BUSHING,GENIE WINCH.....25  
FORK SUPT.TUBE, H.L.,ZINC-19.5.....13  
FRAME & DRUM SUPPORT.....29  
Frame Assembly.....11, 15  
FRAME SPACER,K-1550 (7584).....25, 27, 29  
FRICTION DISC, KX-1000,050,051.....11, 19  
FRICTION DISC, KX-1000,050,051 (5157).....15, 17  
FRICTION DISK,.875 BORE.....25

**G**  
Gear Cover.....13

**H**  
HANDLE BALL KNOB.....11, 15, 21, 23, 25  
HL CARRIAGE ASSEMBLY.....13

**K**  
KEY STOCK,(.125)-1".....25

**L**  
Locknut, 3/8 inch.....13  
Locknut, 7/16 inch.....13

**N**  
Needle Bearing, 9/16 inch.....13  
Nut - Hex, 1/4 inch.....13

NUT,HEX,JAM,1/2-13.....17, 19, 29  
NUT,LOCK,3/8-16.....11, 15, 17, 19, 27, 29  
NUT,LP NYLOCK,1/2-13.....11, 15, 17, 19, 27, 29  
NUT,NYLOCK,1/2-13.....21, 23, 25  
NUT,NYLOCK,3/8-16.....11, 15, 21, 23, 25

**O**  
OBS. SEE 7557-CRANK HINGE.....21, 23  
OBS.BRAKE ADAPTER KIT.....13  
OBS.BRAKE LINING PRESSURE PL.....13  
OBS.RATCHET SPRING, DUTTON B-1.....13  
OBS.SEE 6708,BOLT.....21, 23  
OBS.SEE 7557 (HANDLE).....21, 23  
OBS.SEE 7557-HELPER HANDLE.....21, 23  
OBS.SEE 7557-SPACER.....21, 23  
OBSOLETE SEE 12016.....21, 23  
Oilite Bearing.....13  
OUTRIGGER ASSY, REAR-GL.....13

**P**  
Pin - Clevis.....21, 23  
PIN,ROLL,.188 X .75.....11, 21  
PINION GEAR AND DISC K-1550 (7590).....27, 29  
PINION GEAR ASSY, KX-1050,1051 (14193).....17, 19, 25  
PINION PLATE (KX/KH-1051,1050).....15, 17, 19  
Pinion Shaft.....21, 23  
Pinion Shaft Weldment.....25  
PINION SHAFT, KX-1050,1051.....17, 19  
PLATE, WINCH REINFORCEMENT, FLAT.....17

**R**  
RATCHET GEAR ASSEMBLY.....11, 15  
RATCHET GEAR ASSY, K-1050,1051.....17, 19  
RATCHET GEAR,.875 BORE,GEN.WIN.....25  
RATCHET GEAR,K-1550 1/2" I.D. (6777).....21, 27, 29  
RATCHET KIT (945)OBS SEE 6291.....21, 23  
RATCHET KIT (K-1500,K-1550)\*\*.....25, 27, 29  
RATCHET KIT,K-1000 SERIES,935.....11, 15, 17, 19  
Ratchet Pawl Bolt.....13  
Ratchet Pawl Spacer Bushing.....13  
RATCHET PAWL/DUTTON LAINSON.....13  
RATCHET WHEEL/ DUTTON LAINSON.....13  
Retaining Ring.....11, 13, 15  
RETAINING RING (6200).....19, 21, 23, 29  
RETRO FIT KIT, FULTON WINCH.....25  
Roll Pin.....13  
Rope Clamp.....13

**S**  
Screw - HHC, 1/4 -20 x 0.625 inch.....23  
SCREW,HHC,3/8-16 X 2.5.....25  
SCREW,HHC,3/8-16 X 4.5.....11, 15, 17, 19  
SCREW,HHC,5/16-18 X 6 GRD.2.....27, 29  
Self-tapping Screw.....13  
SERVICE KIT,PINION SHAFT-K1550.....11, 15, 23  
SERVICE KIT,PINION SHAFT-K1550 (1256081).....27, 29

Set Collar.....25  
SHAFT,PINION (32891).....29  
Short Handle Assembly.....25  
Spacer Sleeve.....13  
SPACER, DRUM BOLT, K-1000,1050 (5320).....11, 15, 17, 19  
SPACER, DRUM BOLT, K-1550.....21, 23, 25, 27, 29  
SPACER,PINION SHAFT (32890).....29  
SPACER-OBS(NOT OFFERED - P/S).....25  
SPRING, HELPER HANDLE.....21, 23  
SVC KIT, FRICTION DISC K/KX.....27, 29

**W**  
washer.....25

**W**  
WASHER,FLAT,USS,1/4"Y.....23  
WASHER,FLAT,USS,3/8",Y.....21, 23  
WASHER,THRUST, KX-1050,1051.....17, 19  
WINCH ASSEMBLY-GL/HL KX1051.....11, 15  
WINCH ASSEMBLY-SL/M9.5 MAST.....27  
WINCH ASSY (OLD STYLE SL/ST).....27  
WINCH BRACKET, DRUM BOLT LOCK (31946).....29  
Winch Frame.....13  
WINCH GEAR COVERS, K-1500.....23, 25, 27, 29  
WINCH HANDLE (DUTTON).....13  
WINCH HANDLE 6" STD.....29  
WINCH HANDLE 8" STD.\*.....27, 29  
WINCH HANDLE,KX-1000.....11, 15  
WINCH HANDLE-O.A.LENGTH-11".....17, 19  
WINCH HANDLE-O.A.LENGTH-6.25".....17, 19, 27  
WINCH PINION PLATE, K-1550 (7591).....27, 29  
WINCH PINION SHAFT, K-1550 (7588).....27  
WINCH REINFORCE.PLATE --(BLUE).....19  
WINCH, PINION SPACER,SM,KX1550 (7598).....27  
WINCH,W/DECAL 1SPEED SL/ST.....29

***This Page Intentionally Left Blank***



California Proposition 65



**WARNING**

Operating, servicing and maintaining this equipment can expose you to chemicals including engine exhaust, carbon monoxide, phthalates, and lead, which are known to the State of California to cause cancer and birth defects or other reproductive harm. These chemicals can be emitted from or contained in other various parts and systems, fluids and some component wear by-products. To minimize exposure, avoid breathing exhaust, do not idle the engine except as necessary, service your equipment and vehicle in a well-ventilated area and wear gloves or wash your hands frequently when servicing your equipment or vehicle and after operation. For more information go to [www.P65Warnings.ca.gov/passenger-vehicle](http://www.P65Warnings.ca.gov/passenger-vehicle).

**Parts Manual**  
Genie Winches

Part No.  
35503

Rev A22

