



A TEREX BRAND

Parts Manual

Serial Number Range

***Genie Superlift
Contractor***

to SN 9595-100

Part No. 33953

Rev A3

November 2018

Technical Publications

Genie has endeavored to deliver the highest degree of accuracy possible. However, continuous improvement of our products is a Genie policy. Therefore, product specifications are subject to change without notice.

Readers are encouraged to notify Genie of errors and send in suggestions for improvement. All communications will be carefully considered for future printings of this and all other manuals.

Contact Us:

Internet: www.genielift.com
e-mail: awp.techpub@terex.com

Find a Manual for this Model

Go to <http://www.genielift.com>

Use the links to locate Operator's, Parts, Maintenance, and Service and Repair Manuals.

Copyright © 1995 by Terex Corporation

33953 Rev A January 1995
First Edition, First Printing

Genie is a registered trademark of Terex South Dakota, Inc. in the USA and many other countries. "SLC" is a trademark of Terex South Dakota, Inc.



Printed on recycled paper

Genie.
A TEREX BRAND
Terex South Dakota, Inc
18340 NE 76th Street
Redmond, WA 98052 USA

Model Name: SLC-6

Serial Number: SLC03-12345

Manufacture Date: 01/02/03

Electrical Schematic: N/A

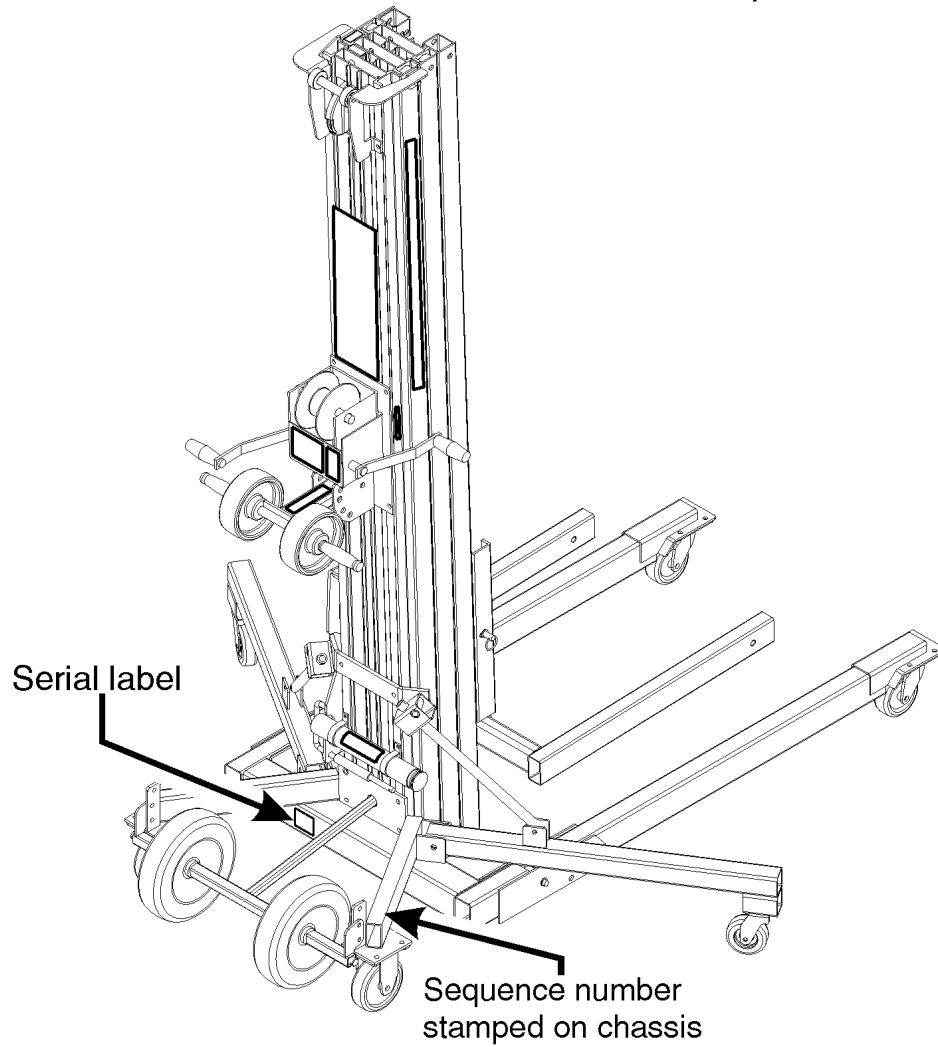
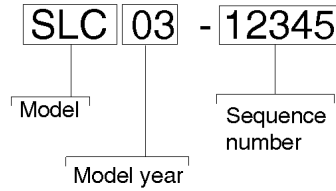



Table of Contents

This manual is updated frequently. If you have a printed manual, you can keep it up to date by downloading new figures from the Genie website at www.genielift.com. For the most up-to-date parts information, visit the Parts Lookup System on the Genie website at www.genielift.com.

How to Read Your Serial Number.....	3
Parts Stocking List.....	7
How to Order Parts.....	8
Service Parts Fax Order Form.....	9

Electronic Version

Click on any page number to view the figure.

100 Decals

101.1 Decals and Paint.....	10
-----------------------------	----

200 Base Components

201.1 Base Components, View 1.....	12
202.1 Base Components, View 2.....	14

300 Mast and Winch Components

301.1 Number 1 Mast Attached Parts.....	16
302.1 Mast Components - View 1.....	18
303.1 Mast Components - View 2.....	20
304.1 Mast Components - Pulleys and Cable.....	22
305.1 Single Speed Winch.....	24

400 Accessories

401.1 Load Handling Attachments - Forks.....	26
402.1 Load Handling Attachments - Boom, Pipe Cradle and Load Platform.....	28

Indices

Part Number Index.....	30
Part Description Index.....	31

Cross References

This Page Intentionally Left Blank

Required Parts

The following parts are required to perform maintenance procedures as outlined in the Genie Superlift Contractor Service Manual.

Description	Part No.
White Lithium Grease	91670
Disc Brake (One-Speed Winch)	7571
Disc Brake (Two-Speed Winch).....	37061

Recommended Parts

Description	Part No.
Genie Blue Paint, 1 Gallon (3.78 liters)	32150
Genie Blue Paint, 12 Ounce Aerosol (355 ml).....	1484
Genie Gray Paint, 1 Gallon (3.78 liters).....	32151
Genie Gray Paint, 12 Ounce Aerosol (355 ml).....	1268
Ratchet Pawl Kit (One-Speed Winch)	40458
Ratchet Pawl Kit (Two-Speed Winch).....	40117
Cable Keeper Kit (One-Speed Winch).....	6190
Replacement Coupler.....	12402
Cable Assembly (SLC-6 models)	35005
Cable Assembly (SLC-12 models)	6099
Cable Assembly (SLC-18 models)	7250
Cable Assembly (SLC-24 models)	7251
Pin Assembly with Lanyard	100309
Roller Bolt, 1/2-13 x 1.84 inches.....	32475
Nylatron Roller, 1.75 x 0.72 inch.....	32473
Safety Brake Assembly	35101
Loctite Thread Lock	65764
Genie Superlift Cabling Procedure Video.....	52701

Manuals

Genie Industries offers the following support documents for these models:

Title	Part No.
EMI Safety Manual	27581
Manual of Responsibilities	
ANSI A92.5	31587

How To Order Parts

How to Order Parts

Please be prepared with the following information when ordering replacement parts for your Terex or Genie product.

- Machine model number
- Machine serial number
- Part number
- Part description and quantity
- Purchase order number
- "Ship to" address
- Desired method of shipment
- Name and telephone number of the authorized distributor in your area.

Use the Service Parts Fax Order Form on the next page and fax your order to our Parts Department.

If you don't know the name of your authorized distributor, or if your area is not currently serviced by an authorized distributor, please call Terex or Genie Industries.

Machine Information

Model

Serial Number

Date of Purchase

Authorized Genie Distributor

Phone Number

North America

Telephone (425)881-1800
 Toll Free (800)536-1800 in US and Canada
 Fax (425)556-8659
 Toll Free fax (888)274-6192
 Email AWP.PartsSalesPO@terex.com
<http://genielift.com/en>

EMEAR (Europe, Middle East, Africa and Russia)

Telephone (31)(165)519 313
 Fax (31)(165)511 148
<http://genielift.co.uk>

Asia Pacific (Genie Singapore)

Telephone +65 6692 7777
 Fax +65 6261 8893
<http://genielift.com.sg/>

Australia

Telephone (61)(7)3456 4444
 Fax (61)(7)3456 4466
<http://genielift.com.au>

South America

Telephone (55)(11)4082 5600
 Fax (55)(11)4082 5630

Service Parts Fax Order Form

Fax to: (425) 556-8659 or Toll Free: 888-274-6192
International: +1-425-556-8659



Please fill out completely

Date _____ Account Number _____
 Your Name _____ Your Fax Number _____
 _____ Your Phone Number _____
 Bill To _____ Ship To _____

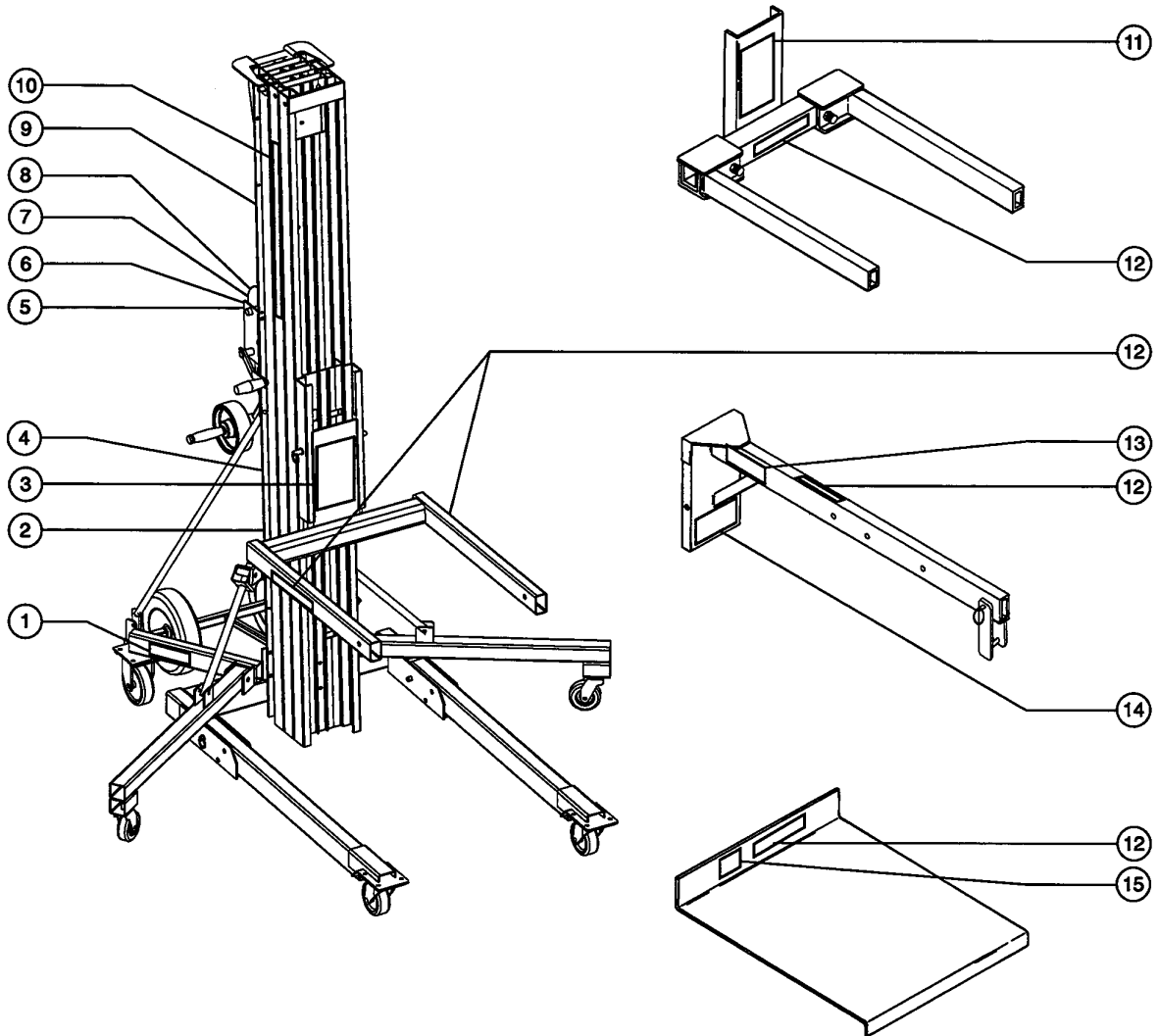
 Purchase Order Number _____ Ship Via _____

Model(s) _____ **Serial No.(s)** _____
Optional Equipment _____

Part Number	Description	Quantity	Price

- All back-ordered parts will be shipped when available via the same ship method as the original order unless Noted below:**
- Ship complete order only - No back orders
 - Ship all available parts and contact customer on disposition of back-ordered parts
 - Other (please specify)

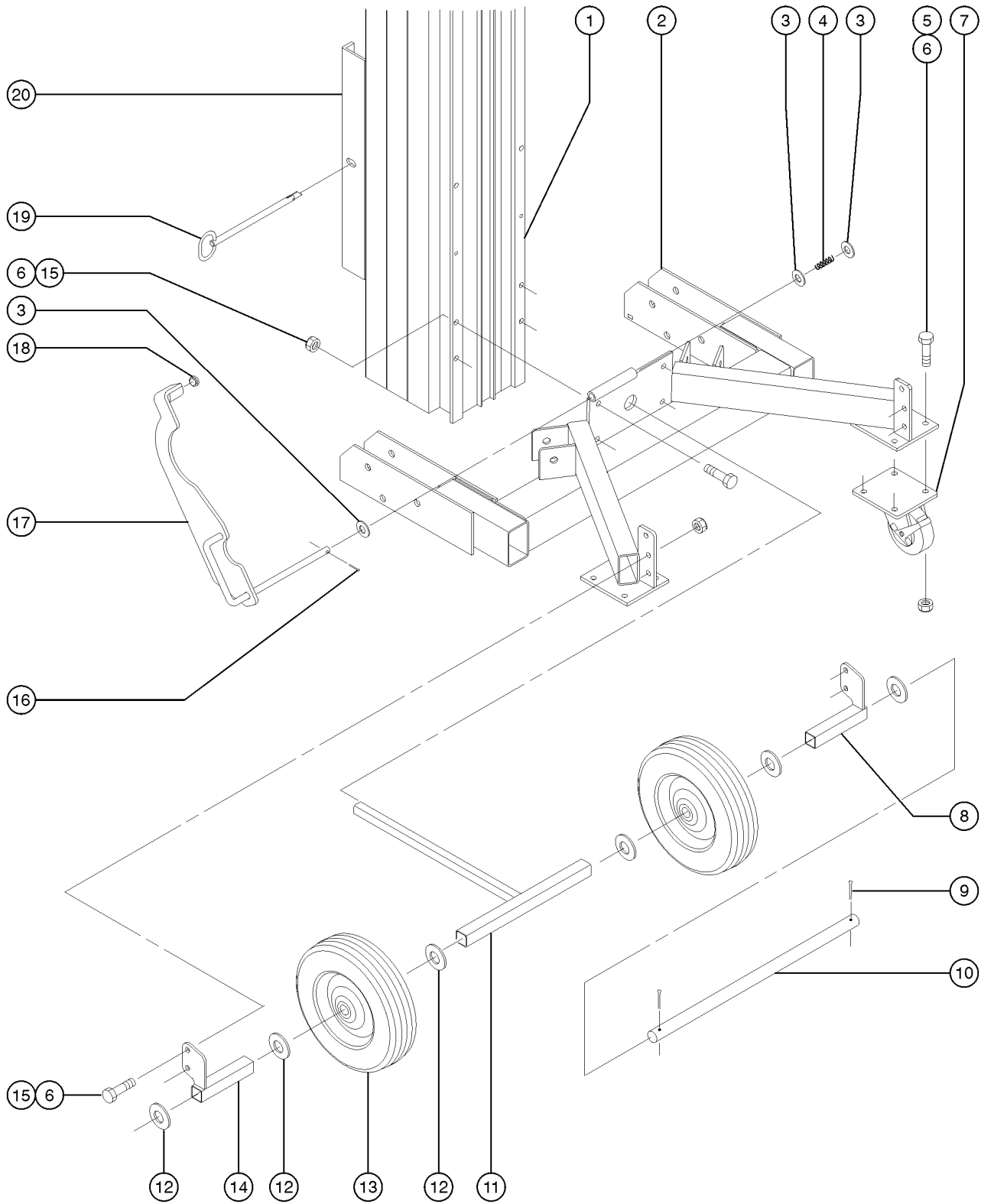
101.1 Decals and Paint



101.1 Decals and Paint

Item	Part No.	Description	Qty.
--	1268GT	PAINT,AEROSOL,GENIE GRAY***	
--	32151GT	PAINT,WET,GENIE GRAY (1 GL)**	
1	33978GT	DECAL, SLC-6.....	2
1	33979GT	DECAL, SLC-12.....	2
1	33980GT	DECAL, SLC-18.....	2
1	33981GT	DECAL, SLC-24.....	2
2	33982GT	SERIAL NUMBER PLATE, SL CONTR..	1
3	32687GT	DECAL,WARNING STD.FORK SAFETY.....	1
4	31072GT	DECAL,LABEL,OPER.MAN.STORAGE..	1
5	32939GT	DECAL,CRUSHING HAZ/BRAKE LOCK.....	1
6	32770GT	DECAL,2 SPD.WINCH**.....	1
7	32938GT	DECAL,LABEL,WINCH ONLY.....	1
8	32885GT	DECAL,SILENT WINCH.....	1
9	40513GT	DECAL,WARNING/SAFETY-SLC.....	1
10	33983GT	DECAL,LOGO,SL CONTRACTOR.....	2
11	32714GT	DECAL,WARNING ADJ FORK SETUP...1	
12	33468GT	DECAL,WARNING,NO RIDERS.....	5
13	32716GT	DECAL,NOTICE BOOM SETUP.....	2
14	32717GT	DECAL,WARNING BOOM SAFETY.....	1
15	32775GT	DECAL,WARNING,FALL HAZARD.....	1

201.1 Base Components, View 1

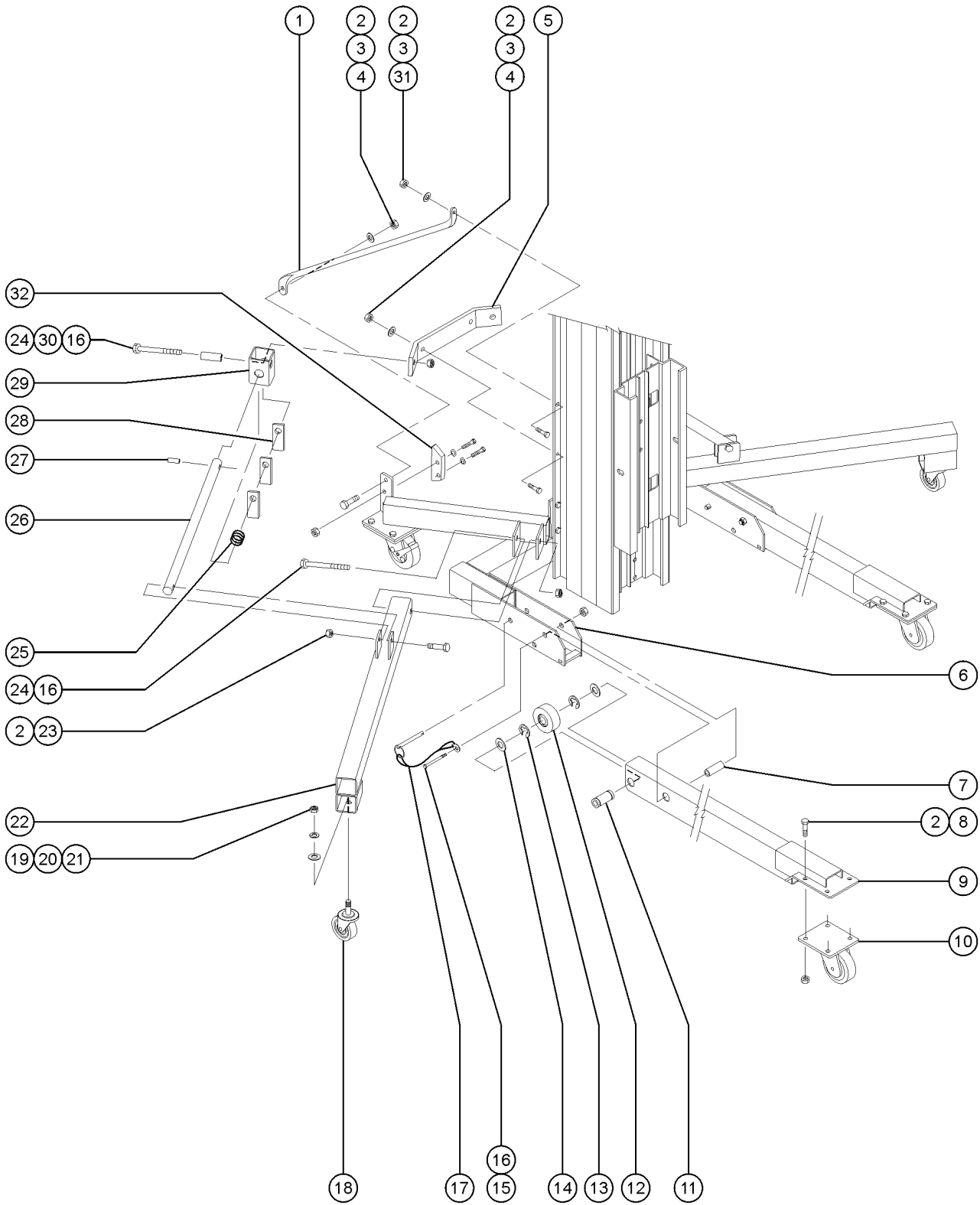


A TEREX BRAND

201.1 Base Components, View 1

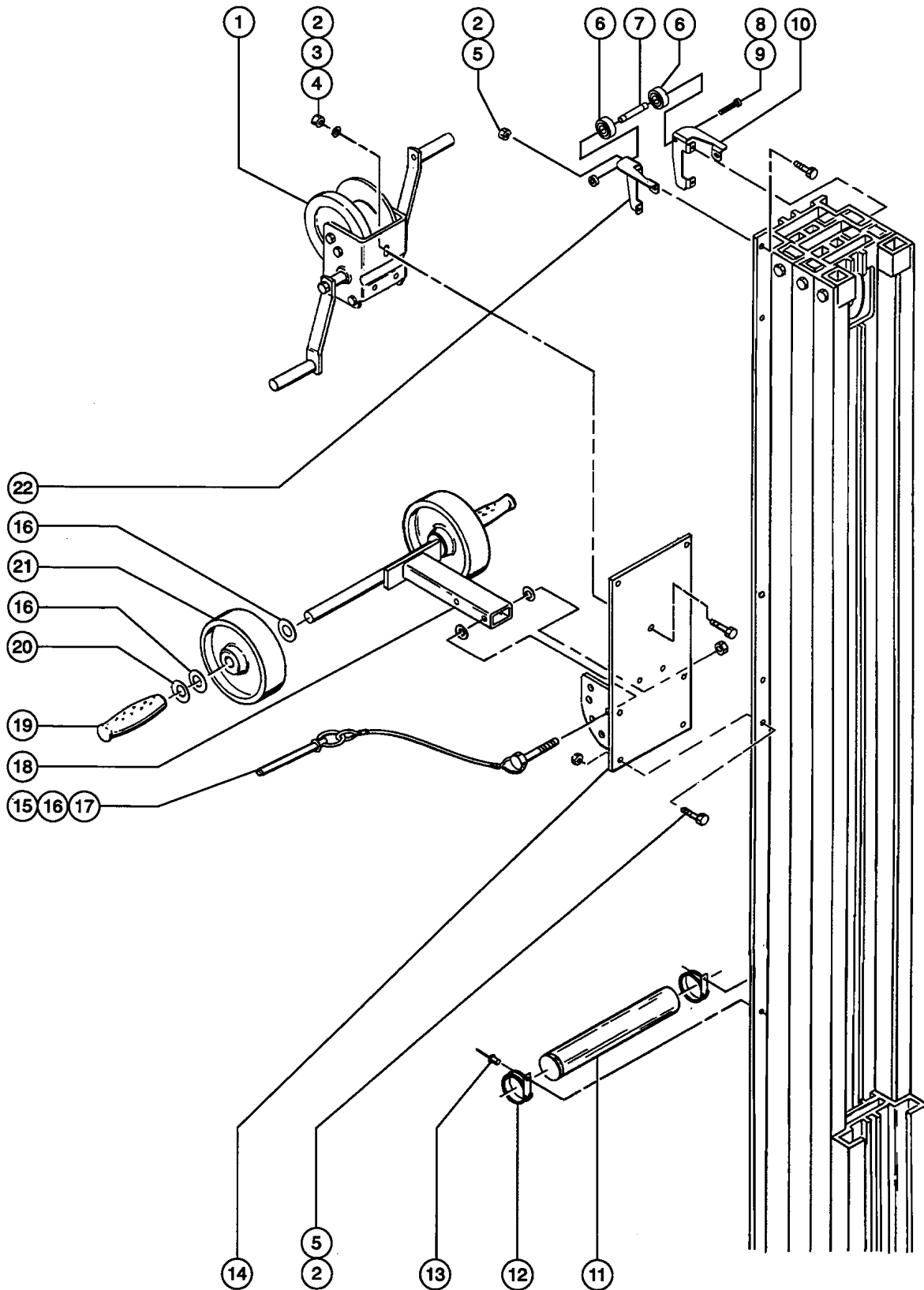
Item	Part No.	Description	Qty.
1		Ref. Columns (refer to 304.1)	
2A	80141-SGT	BASE ASSY W/DECALS,SLC-6.....1	
2B	80142-SGT	BASE ASSY W/DECALS, SLC-12.....1	
2C	80143-SGT	BASE ASSY W/DECALS, SLC-18.....1	
2D	80144-SGT	BASE ASSY W/DECALS, SLC-24.....1	
3	21443GT	SHIM,.75 X.45 X.064.....3	
4	33658GT	SPRING,HOLDOWN SL2E.....1	
5	6175GT	SCREW,HHC,3/8-16 X 1	
6	4828GT	NUT,NYLOCK,3/8-16	
7	57735GT	CASTER,PL,SW,SB, 5 X 1.5***.....2	
8	33830-SGT	WHEEL SPACER MOUNT WELD,RH,SL.....1	
9	6094GT	PIN,COTTER,.125 X 1.....2	
10	57237GT	AXLE ROD, TRANSPORT WHEEL,SL....1	
11	33831-SGT	WHEEL SPACER WELDMENT,SL"GRAY".....1	
12	6564GT	WASHER, SHIM,.765 X 1.312 X .093....6	
13	35064GT	WHEEL,SOLID RUBBER,10X.75X2.75...2	
14	33829-SGT	WHEEL SPACER MNT WELD LH,SL.....1	
15	6019GT	SCREW,HHC,3/8-16 X 1.25 GRD 5	
16	12016GT	PIN,COTTER,.125 X .75.....1	
17A	58750GT	HOLD DOWN KIT W/DECAL SL SHORT.....1 SLC-6 (includes item numbers 16 and 18)	
17B	58095GT	HOLD DOWN KIT W/DECAL SL LONG.....1 SLC-12, SLC-18, SLC-24 (includes items numbers 16 and 18)	
18	11890GT	GLIDE BUTTON,SIDE,GLL,.100 TK.....1	
19	48301GT	PIN,TOGGLE,.50 X 8.13***.....1	
20		Ref. Carriage (refer to 304.1)	

202.1 Base Components, View 2



Item	Part No.	Description	Qty.
--	35159-SGT	SLC, STABILIZER ASSY(SET)/SERV	
1A	32883GT	STRUT,LH,SL2.....	1
1B	32884GT	STRUT,RH,SL2..... <i>shown</i>	1
2	4828GT	NUT,NYLOCK,3/8-16	
3	6097GT	WASHER,FLAT,USS,3/8",Y	
4	8516GT	SCREW, HCC, 3/8-16 X 1.50	
5	35212GT	BRACKET, STAB.MOUNT,"GRAY***.....	1
6		Ref. Base Assembly with Decals..... <i>refer to 201.1</i>	1
7	32509GT	PIVOT TUBE SL2 LEG	
8	6175GT	SCREW,HHC,3/8-16 X 1	
9A	35015GT	WELDMENT, LEG, SLC-6 GRAY.....	2
9B	35016GT	WELDMENT, LEG, SLC-12 GRAY.....	2
9C	35017GT	WELDMENT,LEG,SLC-18 GRAY***.....	2
9D	35018GT	WELDMENT, LEG, SLC-24 GRAY.....	2
10	57734GT	CASTER,SW, 4 X 1.5 (RED).....	2
11	32524GT	AXLE TUBE, SL2 LEG.....	2
12	57782GT	WHEEL,POLYOLEFIN,2.5X1.25,7/8.....	2
13	32499GT	E CLIP,.875 IN.SL LEG.....	4
14	33373GT	WASHER,SHIM,1.50 X .890 X .09.....	4
15	10598GT	SCREW,HHC,1/2-13 X 3	
16	6086GT	NUT,LP NYLOCK,1/2-13	
17	100309GT	ASSY,PIN & LANYARD***.....	2
18	57746GT	CASTER,POST,SW,3.5 (DARK GRAY)	
19	6034GT	NUT,HEX,JAM,1/2-13	
20	6033GT	WASHER,LOCK,0.5"	
21	6095GT	WASHER,FLAT,USS,1/2",Y	
22	35019GT	WELDMENT, STABILIZER, SLC GRAY.....	2
23	5224GT	SCREW,HHC,3/8-16 X 2	
24	6732GT	SCREW,HHC,1/2-13 X 3.25	
25	32519GT	SPRING,STABILIZER LATCH SL2.....	2
26	58094GT	STABILIZER STRUT,ASSY..... <i>includes item 27</i>	2
27	11337GT	PIN,ROLL,.25 X 1.25.....	2
28	32577GT	LATCH PLATE,STABILIZER SL2.....	6
29	35213GT	CLAMP TUBE,STABILIZER-"GRAY".....	2
30	32576GT	PIVOT TUBE,STABILIZER.....	2
31	8516GT	SCREW, HCC, 3/8-16 X 1.50.....	4
32	33670GT	SKID PAD.....	2

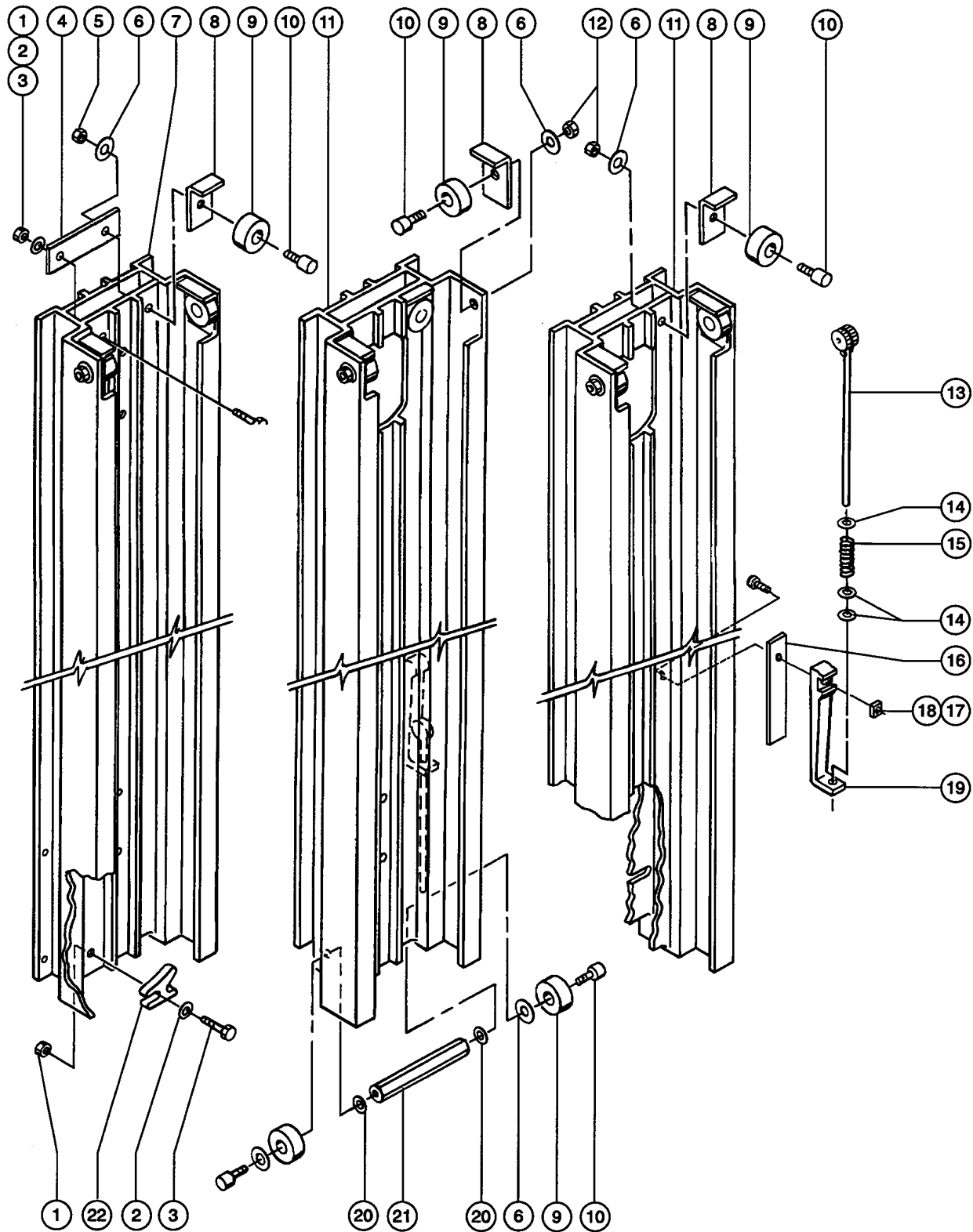
301.1 Number 1 Mast Attached Parts



301.1 Number 1 Mast Attached Parts

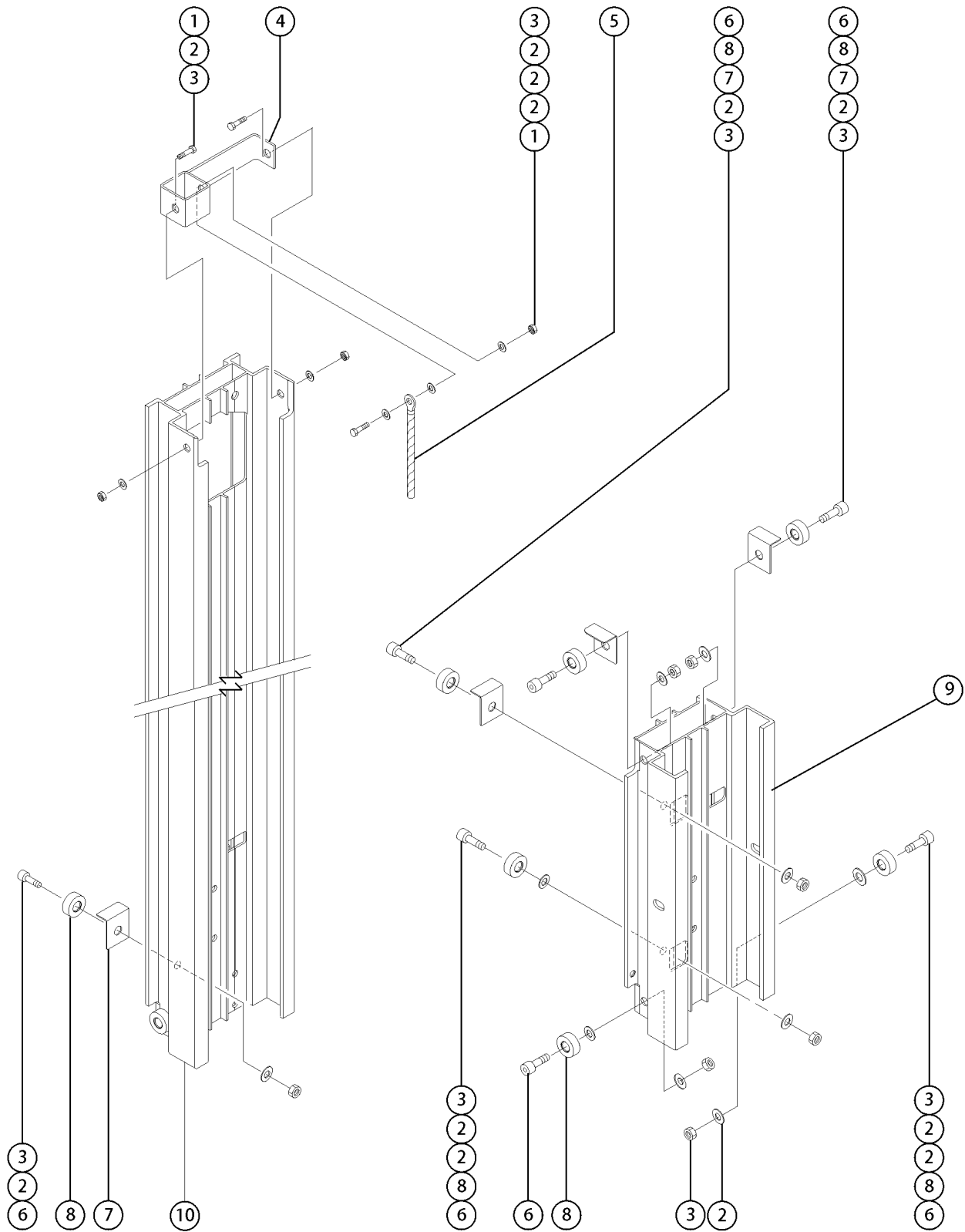
Item	Part No.	Description	Qty.
1		Ref. Winch Assembly (refer to figure 7-1, page 7-20)	
2	4828GT	NUT,NYLOCK,3/8-16.....7	7
3	6638GT	WASHER,FLAT,USS,1/4"Y.....3	3
4	6175GT	SCREW,HHC,3/8-16 X 1.....3	3
5	6019GT	SCREW,HHC,3/8-16 X 1.25 GRD 5.....10	10
6	32473GT	WHEEL,ROLLER,NYLATRON,1.75.....2	2
7	33843GT	SPACER,MAST STIFFENER.....1	1
8	13005GT	SCREW,HHC,1/2-13 X 6,GRD.8.....1	1
9	6198GT	NUT,NYLOCK,1/2-13.....1	1
10	109580GT	MAST STIFFENER,LEFT,GRAY***1	1
11	6600GT	INSTRUCT.TUBE W/CAPS-1.75 X 12....1	1
12	6653GT	CLAMP,1.88,#30 X 1/4,RUB CUSH.....2	2
13	7265GT	RIVET,STEEL,P, .25 X .375.....2	2
14	33766GT	WELDMENT,WINCH MOUNT,GRAY, SLC.....1 <i>includes decal</i>	1
15	100309GT	ASSY,PIN & LANYARD***1	1
15	2163GT	CABLE,1/16INCH,7X7 STRANDS.....1	1
15	2238GT	CABLE OVAL SLEEVE, 1/16.....1	1
15	33298GT	BOLT,LEG PIVOT 1/2-13 X 3.0.....1	1
15	80679GT	PIN,BALL RET-.5 X 2.7.....1	1
16	6564GT	WASHER, SHIM,.765 X 1.312 X .093....6	6
17	6086GT	NUT,LP NYLOCK,1/2-13.....1	1
18	33540GT	LOADING WHEEL ASSY ST/SL	
19	6587GT	HANDLE GRIP, RUBBER .75 X 4.5.....2	2
20	33385GT	WASHER,PUSH ON .75 SHAFT.....2	2
21	57788GT	WHEEL,POLY,6X2, 3/4**2	2
22	109579GT	MAST STIFFENER,RIGHT,GRAY***1	1

302.1 Mast Components - View 1



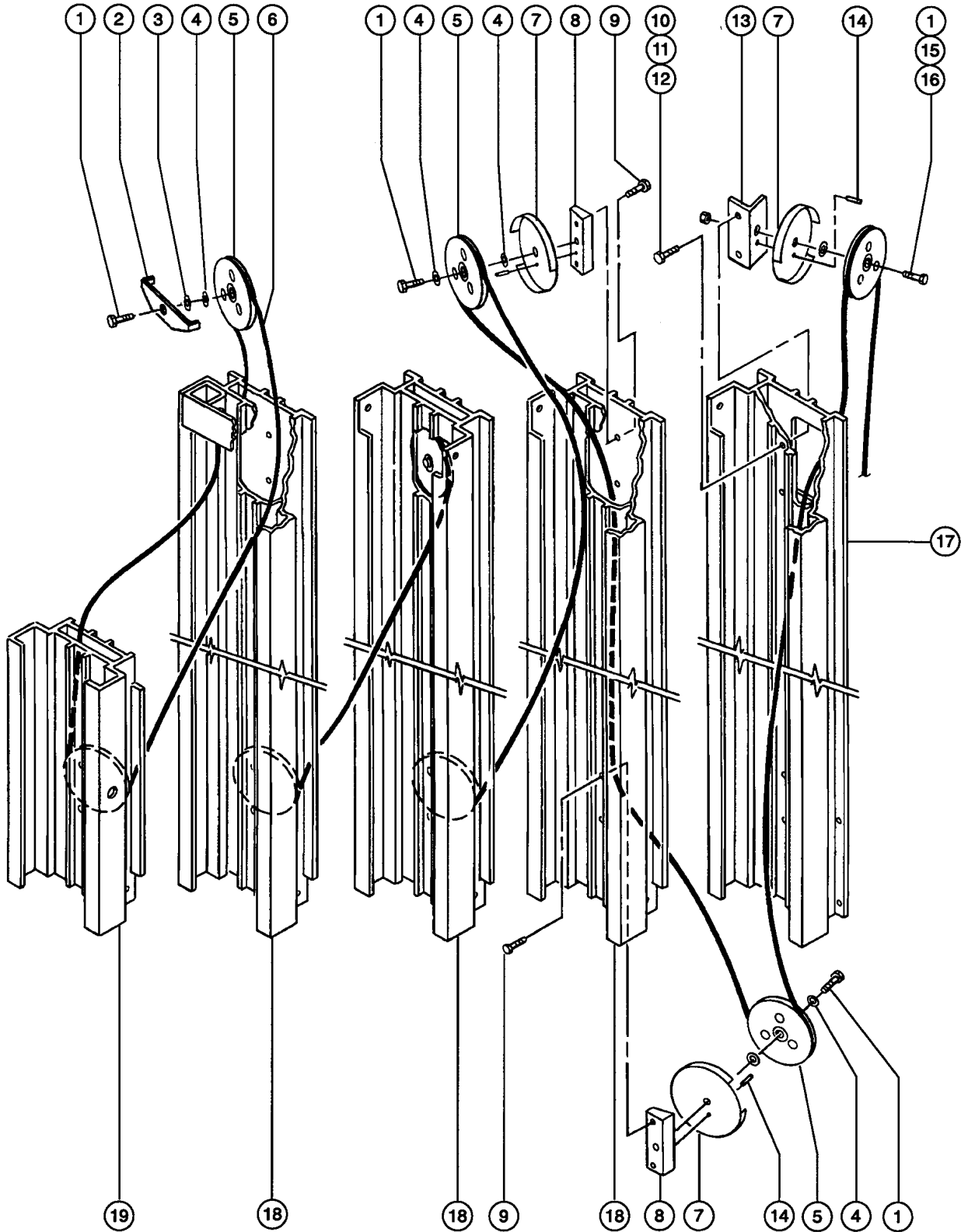
Item	Part No.	Description	Qty.
--	90337GT	BOE LUBE.....1 <i>aluminum dry lubricant</i>	1
1	4828GT	NUT,NYLOCK,3/8-16.....7	7
2	12013GT	SHIM,.375 X .063.....6	6
3	6019GT	SCREW,HHC,3/8-16 X 1.25 GRD 5.....7	7
4	35118GT	FLATBAR,CROSS ROLLER STIFFENER.....1	1
5	6086GT	NUT,LP NYLOCK,1/2-13.....2	2
6	6095GT	WASHER,FLAT,USS,1/2",Y.....15	15
7	33832GT	COLUMN,#1,SL CONTRACTOR.....1 <i>All SLC Models</i>	1
8	32474GT	GUARD,ROLLER, SL2.....11	11
9	32473GT	WHEEL,ROLLER,NYLATRON,1.75.....15	15
10	32475GT	BOLT-ROLLER,1/2-13X1.84 ZINC.....15	15
11	33833GT	COLUMN,#2,SL CONTRACTOR **.....2	2
12	6198GT	NUT,NYLOCK,1/2-13.....13	13
13	33877GT	WEIGHT ASSEMBLY,SAFETY BRAKE**.....2	2
14	21443GT	SHIM,.75 X.45 X.064.....6	6
15	32481GT	SPRING,SAFETY BRAKE**.....2	2
16	35442GT	SHIM,SAFETY BRAKE, SLC.....2	2
17	35408GT	NUT,SQUARE 3/8-16 NC, PLATED.....2	2
18	35463GT	SCREW,FHS,3/8-16 X 1.5.....2	2
19	33606GT	SAFETY BRAKE RAMP,SL.....2	2
19	35443GT	UP STOP.....2	2
20	8519GT	WASHER,SHIM,.5 X .875 X .033.....2	2
21	33811GT	COUPLER BAR ASSEMBLY,SLA&C,ST2.....2	2
22	32522GT	DOWN STOP.....3	3

303.1 Mast Components - View 2



Item	Part No.	Description	Qty.
1	10587GT	SCREW,HHC,1/2-13 X.75.....	3
2	6095GT	WASHER,FLAT,USS,1/2",Y.....	10
3	6198GT	NUT,NYLOCK,1/2-13.....	12
4	80986GT	WELDMENT, CABLE ANCHOR, GRAY**	1
5A	35005GT	CABLE ASSEMBLY, SLC-6***	1
		<i>SLC-6; Does Not Include Cable Replacement Coupler</i>	
5B	6099GT	CABLE ASSEMBLY SL 408".....	1
		<i>SLC-12; Does Not Include Cable Replacement Coupler</i>	
5C	7250GT	CABLE ASSY SL/ST 588" 3/16"***	1
		<i>SLC-18; Does Not Include Cable Replacement Coupler</i>	
5D	7251GT	CABLE ASSY SL/ST 756" 3/16"***	1
		<i>SLC-24; Does Not Include Cable Replacement Coupler</i>	
5E	12402GT	CABLE REPLACEMENT COUPLER <i>Sold separately</i>	
5F	52701GT	VIDEO,NTSC,SLA,CABLING PROCDR <i>Sold separately</i>	
6	32475GT	BOLT-ROLLER,1/2-13X1.84 ZINC.....	9
7	32474GT	GUARD,ROLLER, SL2,.....	4
8	32473GT	WHEEL,ROLLER,NYLATRON,1.75.....	9
9	57031GT	CARRIAGE,SL CONTRACTOR***	1
10	33833GT	COLUMN,#2,SL CONTRACTOR **	1

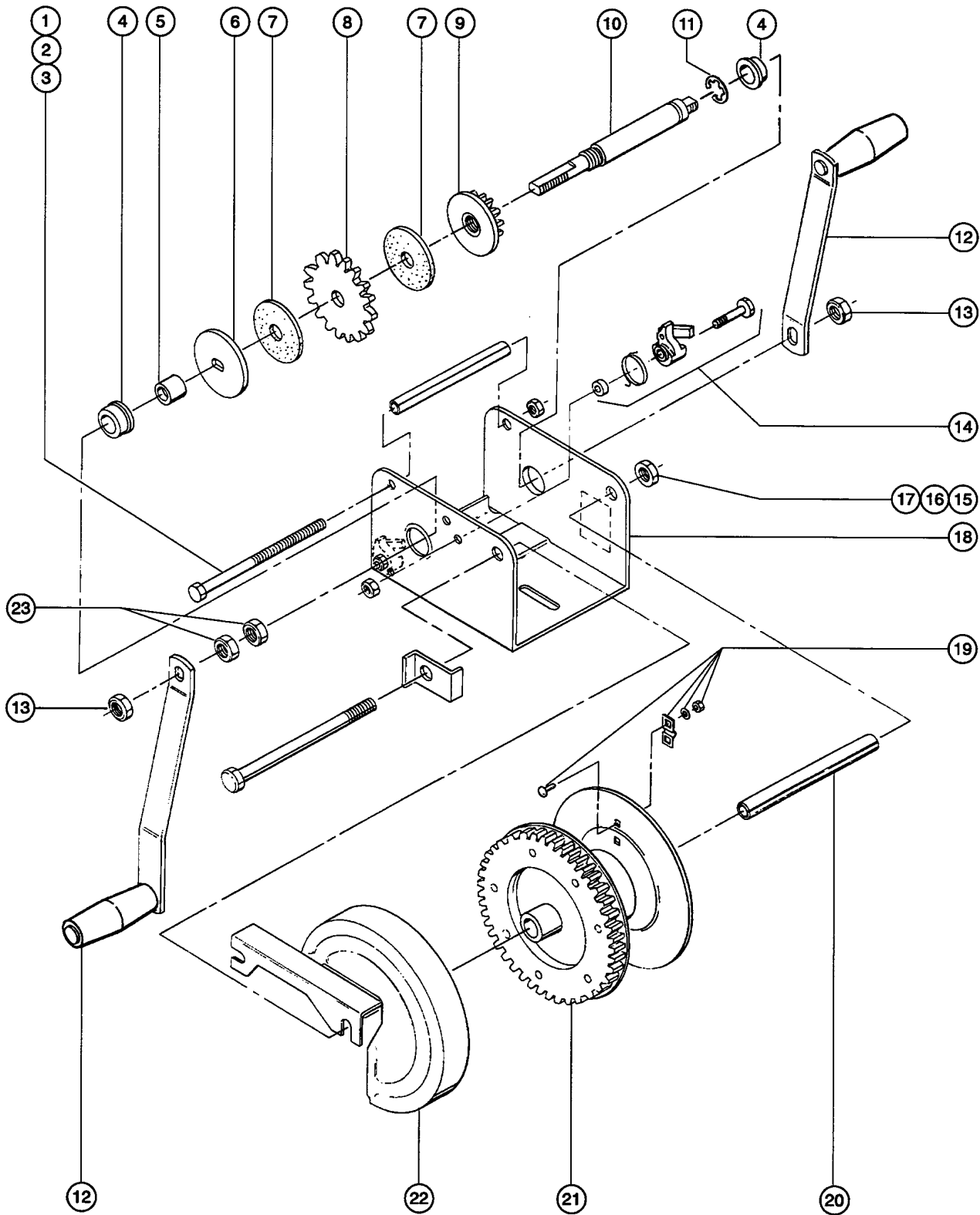
304.1 Mast Components - Pulleys and Cable



304.1 Mast Components - Pulleys and Cable

Item	Part No.	Description	Qty.
1	10597GT	SCREW,HHC,1/2-13 X 1.25 GR5.....	8
2	33420GT	GUARD,CABLE.....	1
3	8519GT	WASHER,SHIM,.5 X .875 X .033.....	1
4	6052GT	WASHER,SHIM,.5 X .875 X .063.....	14
5	32469GT	PULLEY W/BEARING,ALUMINUM***.....	8
6	35005GT	CABLE ASSEMBLY, SLC-6*** <i>SLC-6; Does Not Include Cable Replacement Coupler</i>	1
6	6099GT	CABLE ASSEMBLY SL 408"..... <i>SLC-12; Does Not Include Cable Replacement Coupler</i>	1
6	7250GT	CABLE ASSY SL/ST 588" 3/16"***..... <i>SLC-18; Does Not Include Cable Replacement Coupler</i>	1
6	7251GT	CABLE ASSY SL/ST 756" 3/16"***..... <i>SLC-24; Does Not Include Cable Replacement Coupler</i>	1
6A	12402GT	CABLE REPLACEMENT COUPLER <i>Sold Separately</i>	
6B	52701GT	VIDEO,NTSC,SLA,CABLING PROCDR <i>Sold Separately</i>	
7	32476GT	GUARD,CABLE***.....	8
8	32470GT	PULLEY MOUNT , SL-2.....	7
9	8255GT	SCREW,HHC,3/8-16 X .75.....	14
10	6019GT	SCREW,HHC,3/8-16 X 1.25 GRD 5.....	2
11	6097GT	WASHER,FLAT,USS,3/8",Y.....	2
12	4828GT	NUT,NYLOCK,3/8-16.....	2
13	33700GT	PULLEY MOUNT,#1 COLUMN,GRY,SLC.....	1
14	32483GT	PIN,ROLL,.25 X .50.....	10
15	33383GT	WASHER,FLAT,.5 X .090,HARDEN.....	1
16	6198GT	NUT,NYLOCK,1/2-13.....	1
17	33832GT	COLUMN,#1,SL CONTRACTOR.....	1
18	33833GT	COLUMN,#2,SL CONTRACTOR **.....	3
19	57031GT	CARRIAGE,SL CONTRACTOR***.....	1

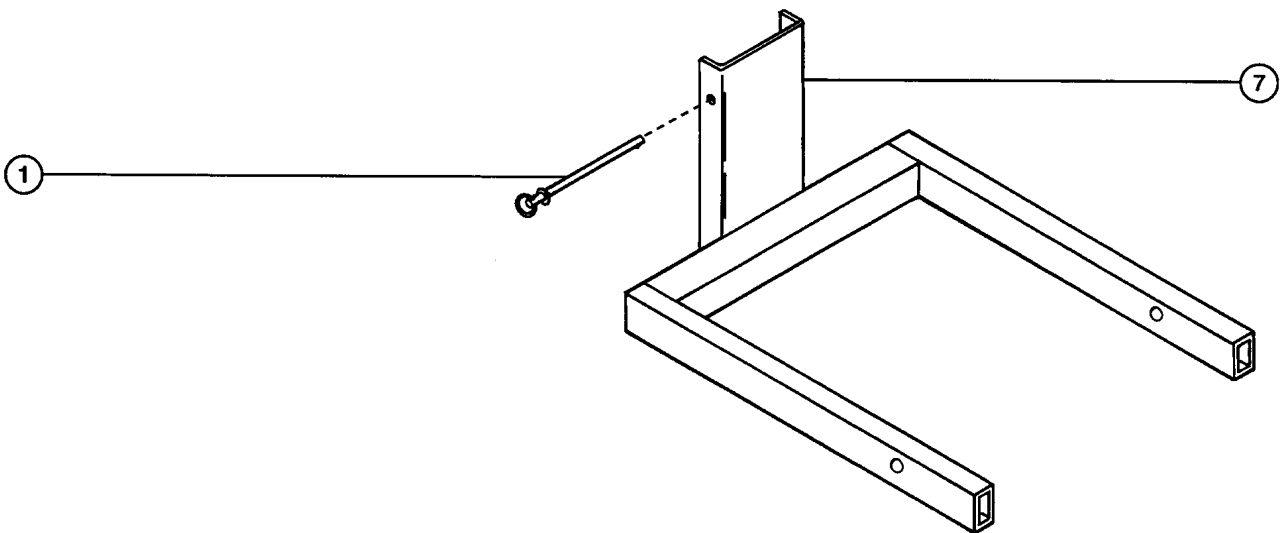
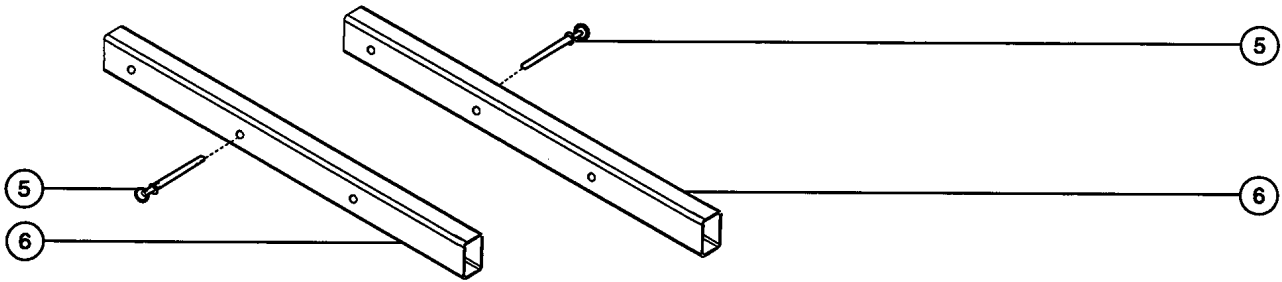
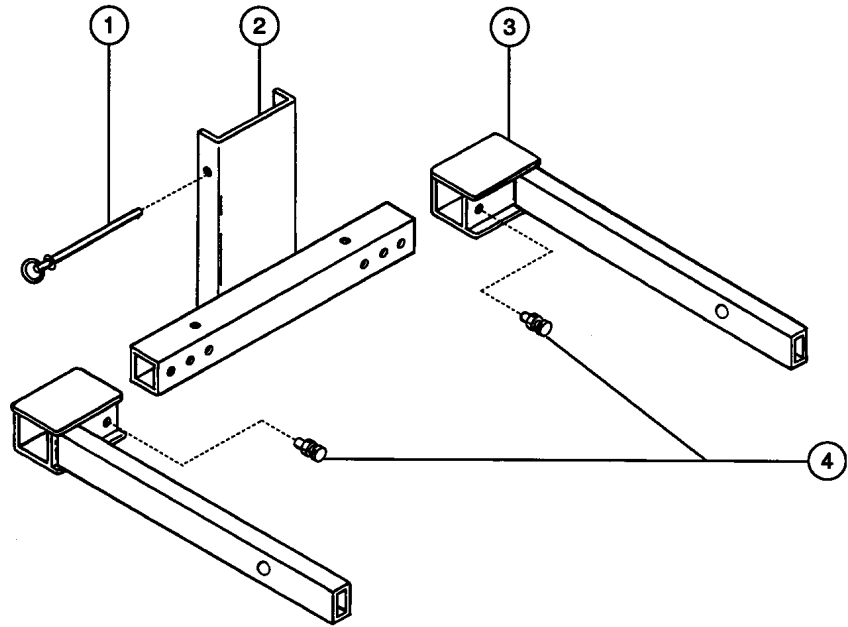
305.1 Single Speed Winch



305.1 Single Speed Winch

Item	Part No.	Description	Qty.
--	32945GT	WINCH,W/DECAL 1SPEED SL/ST <i>handles not included</i>	
1	7256GT	SCREW,HHC,5/16-18 X 6 GRD.2.....1	
2		FRAME SPACER,K-1550 (7584).....1 <i>(not sold separately)</i>	
3	12012GT	NUT,LOCK,3/8-16.....1	
4	1256081GT	SERVICE KIT,PINION SHAFT-K1550....2	
5	1256082GT	SERVICE KIT,PINION SHAFT-K2550....1	
6	1256081GT	SERVICE KIT,PINION SHAFT-K1550....1	
7	1256083GT	SVC KIT, FRICTION DISC K/KX.....2	
8	1256081GT	SERVICE KIT,PINION SHAFT-K1550....1	
9		PINION GEAR AND DISC K-1550 (7590).....1 <i>(not sold separately)</i>	
10		SHAFT,PINION (32891).....1 <i>component no longer available</i>	
11		RETAINING RING (6200).....1 <i>(not sold separately)</i>	
12	33143GT	WINCH HANDLE 6" STD.....2	
12	33144GT	WINCH HANDLE 8" STD.**.....2	
13	6086GT	NUT,LP NYLOCK,1/2-13.....2	
14	40458GT	RATCHET PAWL KIT.....2	
15	6086GT	NUT,LP NYLOCK,1/2-13.....1	
16	6184GT	SPACER, DRUM BOLT, K-1550.....1	
17	6185GT	BOLT, DRUM SPACER.....1	
18		FRAME & DRUM SUPPORT.....1 <i>component no longer available</i>	
19	6190GT	CABLE KEEP.KIT (BRACKET TYPE)*1	
20	6184GT	SPACER, DRUM BOLT, K-1550.....1	
21		Ref. Drum Assembly.....1	
22	6770GT	WINCH GEAR COVERS, K-1500.....1	
23	6034GT	NUT,HEX,JAM,1/2-13.....2	

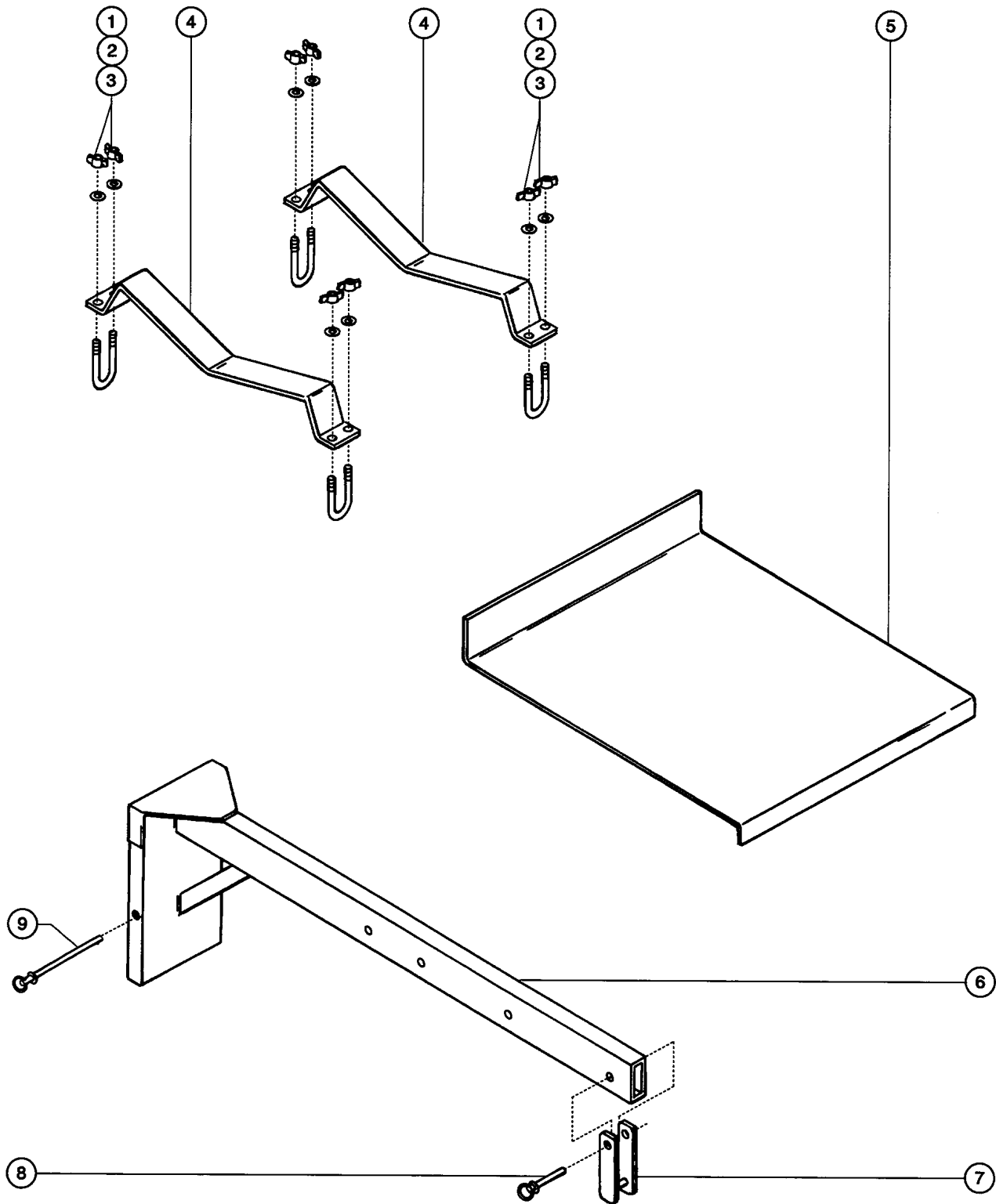
401.1 Load Handling Attachments - Forks



401.1 Load Handling Attachments - Forks

Item	Part No.	Description	Qty.
--	33543-SGT	SLC, ADJ FORK ASSEMBLY <i>includes index numbers 1, 2, 3, 4 and 5</i>	
1	48301GT	PIN,TOGGLE,.50 X 8.13***.....	2
2	33542GT	CARRIER - ADJ.FORK,SLC..... <i>includes decals</i>	1
3	33707-SGT	WELDMENT,ARM ADJ. FORK,"GRAY".....	2
4	32375GT	PIN,LOCK,LONG***.....	2
4	33674GT	PIN,LOCK,SHORT***.....	2
5	80679GT	PIN,BALL RET-.5 X 2.7.....	2
6	33366-SGT	FORK EXTENSION, SINGLE***..... <i>suggest ordering 80679 pin with each extension</i>	2
7	33984GT	FORK,STD W/WORD DECALS SLC..... <i>includes decals</i>	1

402.1 Load Handling Attachments - Boom, Pipe Cradle and Load Platform



402.1 Load Handling Attachments - Boom, Pipe Cradle and Load Platform

Item	Part No.	Description	Qty.
--	229447GT	SLC STD.BOOM ASSY/SERVICE/GRAY <i>gray; includes index number 6 through 9</i>	
--	32567-SGT	SLA/SLC STD.BOOM ASSY/SERVICE <i>blue; includes index number 6 through 9</i>	
--	32568GT	SLA, LOAD PLATFORM ACCESSORY <i>includes index number 5</i>	
--	32569-SGT	SL/SLC PIPE HOLDER ACCESSORY <i>includes index numbers 1 through 4</i>	
--	35220GT	SLC, LOAD PLATFORM ASSY. <i>includes index number 5</i>	
1	8170GT	NUT,WING,1/4-20.....	8
2	6638GT	WASHER,FLAT,USS,1/4"Y.....	8
3	33045GT	U-BOLT,1/4-20 SL2 PIPE CRADLE.....	4
4	80597GT	PIPE CRADLE, BLUE.....	2
5	32937GT	LOAD PLATFORM W/DECAL,SLA..... <i>includes decals</i>	1
5	35021GT	LOAD PLATFORM W/DECALS, SLC..... <i>includes decals</i>	1
6	32567-SGT	SLA/SLC STD.BOOM ASSY/SERVICE... <i>includes decals</i>	1
7	32579GT	WELDMENT,CLEVIS STD. BOOM.....	1
8	80679GT	PIN,BALL RET.-5 X 2.7.....	1
9	48301GT	PIN,TOGGLE,.50 X 8.13***	1

Part Number Index

The Part Number Index is a numeric index of all part numbers included in this manual. The index shows what page(s) the part is used on.

Part Number	Page	Part Number	Page	Part Number	Page
100309GT	15, 17	33766GT	17	80142-SGT	13
10587GT	21	33811GT	19	80143-SGT	13
10597GT	23	33829-SGT	13	80144-SGT	13
10598GT	15	33830-SGT	13	80597GT	29
109579GT	17	33831-SGT	13	80679GT	17, 27, 29
109580GT	17	33832GT	19, 23	80986GT	21
11337GT	15	33833GT	19, 21, 23	8170GT	29
11890GT	13	33843GT	17	8255GT	23
12012GT	25	33877GT	19	8516GT	15
12013GT	19	33978GT	11	8519GT	19, 23
12016GT	13	33979GT	11	90337GT	19
12402GT	21, 23	33980GT	11		
1256081GT	25	33981GT	11		
1256082GT	25	33982GT	11		
1256083GT	25	33983GT	11		
1268GT	11	33984GT	27		
13005GT	17	35005GT	21, 23		
21443GT	13, 19	35015GT	15		
2163GT	17	35016GT	15		
2238GT	17	35017GT	15		
229447GT	29	35018GT	15		
31072GT	11	35019GT	15		
32151GT	11	35021GT	29		
32375GT	27	35064GT	13		
32469GT	23	35118GT	19		
32470GT	23	35159-SGT	15		
32473GT	17, 19, 21	35212GT	15		
32474GT	19, 21	35213GT	15		
32475GT	19, 21	35220GT	29		
32476GT	23	35408GT	19		
32481GT	19	35442GT	19		
32483GT	23	35443GT	19		
32499GT	15	35463GT	19		
32509GT	15	40458GT	25		
32519GT	15	40513GT	11		
32522GT	19	4828GT	13, 15, 17, 19, 23		
32524GT	15	48301GT	13, 27, 29		
32567-SGT	29	5224GT	15		
32568GT	29	52701GT	21, 23		
32569-SGT	29	57031GT	21, 23		
32576GT	15	57237GT	13		
32577GT	15	57734GT	15		
32579GT	29	57735GT	13		
32687GT	11	57746GT	15		
32714GT	11	57782GT	15		
32716GT	11	57788GT	17		
32717GT	11	58094GT	15		
32770GT	11	58095GT	13		
32775GT	11	58750GT	13		
32883GT	15	6019GT	13, 17, 19, 23		
32884GT	15	6033GT	15		
32885GT	11	6034GT	15, 25		
32937GT	29	6052GT	23		
32938GT	11	6086GT	15, 17, 19, 25		
32939GT	11	6094GT	13		
32945GT	25	6095GT	15, 19, 21		
33045GT	29	6097GT	15, 23		
33143GT	25	6099GT	21, 23		
33144GT	25	6175GT	13, 15, 17		
33298GT	17	6184GT	25		
33366-SGT	27	6185GT	25		
33373GT	15	6190GT	25		
33383GT	23	6198GT	17, 19, 21, 23		
33385GT	17	6564GT	13, 17		
33420GT	23	6587GT	17		
33468GT	11	6600GT	17		
33540GT	17	6638GT	17, 29		
33542GT	27	6653GT	17		
33543-SGT	27	6732GT	15		
33606GT	19	6770GT	25		
33658GT	13	7250GT	21, 23		
33670GT	15	7251GT	21, 23		
33674GT	27	7256GT	25		
33700GT	23	7265GT	17		
33707-SGT	27	80141-SGT	13		

The Part Description Index is an alphabetical index of all part descriptions included in this manual. The index shows what page(s) the part is used on.

A

ASSY,PIN & LANYARD***.....15, 17
 AXLE ROD, TRANSPORT WHEEL,SL.....13
 AXLE TUBE, SL2 LEG.....15

B

BASE ASSY W/DECALS, SLC-12.....13
 BASE ASSY W/DECALS, SLC-18.....13
 BASE ASSY W/DECALS, SLC-24.....13
 BASE ASSY W/DECALS,SLC-6.....13
 BOE LUBE.....19
 BOLT, DRUM SPACER.....25
 BOLT,LEG PIVOT 1/2-13 X 3.0.....17
 BOLT-ROLLER,1/2-13X1.84 ZINC.....19, 21
 BRACKET, STAB.MOUNT,"GRAY"***.....15

C

CABLE ASSEMBLY SL 408".....21, 23
 CABLE ASSEMBLY, SLC-6***.....21, 23
 CABLE ASSY SL/ST 588" 3/16"***.....21, 23
 CABLE ASSY SL/ST 756" 3/16"***.....21, 23
 CABLE KEEP.KIT (BRACKET TYPE)*.....25
 CABLE OVAL SLEEVE, 1/16.....17
 CABLE REPLACEMENT COUPLER.....21, 23
 CABLE,1/16INCH,7X7 STRANDS.....17
 CARRIAGE,SL CONTRACTOR***.....21, 23
 CARRIER - ADJ.FORK,SLC.....27
 CASTER,PL,SW,SB, 5 X 1.5***.....13
 CASTER,POST,SW,3.5 (DARK GRAY).....15
 CASTER,SW, 4 X 1.5 (RED).....15
 CLAMP TUBE,STABILIZER-"GRAY".....15
 CLAMP,1.88,#30 X 1/4,RUB CUSH.....17
 COLUMN,#1,SL CONTRACTOR.....19, 23
 COLUMN,#2,SL CONTRACTOR **.....19, 21, 23
 COUPLER BAR ASSEMBLY,SLA&C,ST2.....19

D

DECAL, SLC-12.....11
 DECAL, SLC-18.....11
 DECAL, SLC-24.....11
 DECAL, SLC-6.....11
 DECAL,2 SPD.WINCH**.....11
 DECAL,CRUSHING HAZ/BRAKE LOCK.....11
 DECAL,LABEL,OPER.MAN.STORAGE.....11
 DECAL,LABEL,WINCH ONLY.....11
 DECAL,LOGO,SL CONTRACTOR.....11
 DECAL,NOTICE BOOM SETUP.....11
 DECAL,SILENT WINCH.....11
 DECAL,WARNING ADJ FORK SETUP.....11
 DECAL,WARNING BOOM SAFETY.....11
 DECAL,WARNING STD.FORK SAFETY.....11
 DECAL,WARNING,FALL HAZARD.....11
 DECAL,WARNING,NO RIDERS.....11
 DECAL,WARNING/SAFETY-SLC.....11
 DOWN STOP.....19

E

E CLIP,875 IN.SL LEG.....15

F

FLATBAR,CROSS ROLLER STIFFENER.....19
 FORK EXTENSION, SINGLE***.....27

FORK,STD W/WORD DECALS SLC.....27
 FRAME & DRUM SUPPORT.....25
 FRAME SPACER,K-1550 (7584).....25

G

GLIDE BUTTON,SIDE,GLL,,100 TK.....13
 GUARD,CABLE.....23
 GUARD,CABLE***.....23
 GUARD,ROLLER, SL2,.....19, 21

H

HANDLE GRIP, RUBBER .75 X 4.5.....17
 HOLD DOWN KIT W/DECAL SL LONG.....13
 HOLD DOWN KIT W/DECAL SL SHORT.....13

I

INSTRUCT.TUBE W/CAPS-1.75 X 12.....17

L

LATCH PLATE,STABILIZER SL2.....15
 LOAD PLATFORM W/DECAL,SLA.....29
 LOAD PLATFORM W/DECALS, SLC.....29
 LOADING WHEEL ASSY ST/SL.....17

M

MAST STIFFENER,LEFT,GRAY***.....17
 MAST STIFFENER,RIGHT,GRAY***.....17

N

NUT,HEX,JAM,1/2-13.....15, 25
 NUT,LOCK,3/8-16.....25
 NUT,LP NYLOCK,1/2-13.....15, 17, 19, 25
 NUT,NYLOCK,1/2-13.....17, 19, 21, 23
 NUT,NYLOCK,3/8-16.....13, 15, 17, 19, 23
 NUT,SQUARE 3/8-16 NC, PLATED.....19
 NUT,WING,1/4-20.....29

P

PAINT,AEROSOL,GENIE GRAY***.....11
 PAINT,WET,GENIE GRAY (1 GL)**.....11
 PIN,BALL RET.-.5 X 2.7.....17, 27, 29
 PIN,COTTER,.125 X .75.....13
 PIN,COTTER,.125 X 1.....13
 PIN,LOCK,LONG***.....27
 PIN,LOCK,SHORT***.....27
 PIN,ROLL,.25 X .50.....23
 PIN,ROLL,.25 X 1.25.....15
 PIN,TOGGLE,.50 X 8.13***.....13, 27, 29
 PINION GEAR AND DISC K-1550 (7590).....25
 PIPE CRADLE, BLUE.....29
 PIVOT TUBE SL2 LEG.....15
 PIVOT TUBE,STABILIZER.....15
 PULLEY MOUNT , SL-2.....23
 PULLEY MOUNT,#1 COLUMN,GRY,SLC.....23
 PULLEY W/BEARING,ALUMINUM***.....23

R

RATCHET PAWL KIT.....25
 RETAINING RING (6200).....25
 RIVET,STEEL,P,.25 X .375.....17

S

SAFETY BRAKE RAMP,SL.....19
 SCREW, HCC, 3/8-16 X 1.50.....15
 SCREW,FHS,3/8-16 X 1.5.....19
 SCREW,HHC,1/2-13 X 1.25 GR5.....23
 SCREW,HHC,1/2-13 X 3.....15
 SCREW,HHC,1/2-13 X 3.25.....15
 SCREW,HHC,1/2-13 X 6,GRD.8.....17
 SCREW,HHC,1/2-13 X.75.....21
 SCREW,HHC,3/8-16 X .75.....23
 SCREW,HHC,3/8-16 X 1.....13, 15, 17
 SCREW,HHC,3/8-16 X 1.25 GRD 5.....13, 17, 19, 23
 SCREW,HHC,3/8-16 X 2.....15
 SCREW,HHC,5/16-18 X 6 GRD.2.....25
 SERIAL NUMBER PLATE, SL CONTR.....11
 SERVICE KIT,PINION SHAFT-K1550.....25
 SERVICE KIT,PINION SHAFT-K2550.....25
 SHAFT,PINION (32891).....25
 SHIM,.375 X .063.....19
 SHIM,.75 X.45 X.064.....13, 19
 SHIM,SAFETY BRAKE, SLC.....19
 SKID PAD.....15
 SL/SLC PIPE HOLDER ACCESSORY.....29
 SLA, LOAD PLATFORM ACCESSORY.....29
 SLA/SLC STD.BOOM ASSY/SERVICE.....29
 SLC STD.BOOM ASSY/SERVICE/GRAY.....29
 SLC, ADJ FORK ASSEMBLY.....27
 SLC, LOAD PLATFORM ASSY.....29
 SLC, STABILIZER ASSY(SERV)/SERV.....15
 SPACER, DRUM BOLT, K-1550.....25
 SPACER,MAST STIFFENER.....17
 SPRING,HOLDOWN SL2E.....13
 SPRING,SAFETY BRAKE**.....19
 SPRING,STABILIZER LATCH SL2.....15
 STABILIZER STRUT,ASSY.....15
 STRUT,LH,SL2.....15
 STRUT,RH,SL2.....15
 SVC KIT, FRICTION DISC K/KX.....25

U

U-BOLT,1/4-20 SL2 PIPE CRADLE.....29
 UP STOP.....19

V

VIDEO,NTSC,SLA,CABLING PROCDR.....21, 23

W

WASHER, SHIM,.765 X 1.312 X .093.....13, 17
 WASHER,FLAT,5 X .090,HARDEN.....23
 WASHER,FLAT,USS,1/2",Y.....15, 19, 21
 WASHER,FLAT,USS,1/4"Y.....17, 29
 WASHER,FLAT,USS,3/8",Y.....15, 23
 WASHER,LOCK,0.5".....15
 WASHER,PUSH ON .75 SHAFT.....17
 WASHER,SHIM,.5 X .875 X .033.....19, 23
 WASHER,SHIM,.5 X .875 X .063.....23
 WASHER,SHIM,1.50 X .890 X .09.....15
 WEIGHT ASSEMBLY,SAFETY BRAKE**.....19
 WELDMENT, CABLE ANCHOR, GRAY**.....21
 WELDMENT, LEG, SLC-12 GRAY.....15
 WELDMENT, LEG, SLC-24 GRAY.....15
 WELDMENT, LEG, SLC-6 GRAY.....15

Part Description Index (continued)

WELDMENT, STABILIZER, SLC GRAY.....15
WELDMENT,ARM ADJ. FORK,"GRAY".....27
WELDMENT,CLEVIS STD. BOOM.....29
WELDMENT,LEG,SLC-18 GRAY***.....15
WELDMENT,WINCH MOUNT,GRAY, SLC.....17
WHEEL SPACER MNT WELD LH,SL.....13
WHEEL SPACER MOUNT WELD,RH,SL.....13
WHEEL SPACER WELDMENT,SL"GRAY".....13
WHEEL,POLY,6X2, 3/4**.....17
WHEEL,POLYOLEFIN,2.5X1.25,7/8.....15
WHEEL,ROLLER,NYLATRON,1.75.....17, 19,
21
WHEEL,SOLID RUBBER,10X.75X2.75.....13
WINCH GEAR COVERS, K-1500.....25
WINCH HANDLE 6" STD.....25
WINCH HANDLE 8" STD.**.....25
WINCH,W/DECAL 1SPEED SL/ST.....25

California Proposition 65



WARNING

Operating, servicing and maintaining this equipment can expose you to chemicals including engine exhaust, carbon monoxide, phthalates, and lead, which are known to the State of California to cause cancer and birth defects or other reproductive harm. These chemicals can be emitted from or contained in other various parts and systems, fluids and some component wear by-products. To minimize exposure, avoid breathing exhaust, do not idle the engine except as necessary, service your equipment and vehicle in a well-ventilated area and wear gloves or wash your hands frequently when servicing your equipment or vehicle and after operation. For more information go to www.P65Warnings.ca.gov/passenger-vehicle.

Parts Manual

Genie Superlift Contractor

to SN 9595-100

Part No.
33953

Rev A3

Genie
A TEREX BRAND