



# *Parts Manual*

Serial Number Range

***Genie Lift***

from 0582-7283 to 0597-20638

Part No. 22186  
Rev A25  
November 2018

---

## Technical Publications

Genie has endeavored to deliver the highest degree of accuracy possible. However, continuous improvement of our products is a Genie policy. Therefore, product specifications are subject to change without notice.

Readers are encouraged to notify Genie of errors and send in suggestions for improvement. All communications will be carefully considered for future printings of this and all other manuals.

---

## Contact Us:

Internet: [www.genielift.com](http://www.genielift.com)  
e-mail: [awp.techpub@terex.com](mailto:awp.techpub@terex.com)

---

## Find a Manual for this Model

Go to <http://www.genielift.com>


Use the links to locate Operator's, Parts, Maintenance, and Service and Repair Manuals.

---

Copyright © 2011 by Terex Corporation

22186 Rev A 1989  
First Edition, First Printing

Genie is a registered trademark of Terex South Dakota, Inc. in the USA and many other countries. "Genie Lift" is a trademark of Terex South Dakota, Inc.

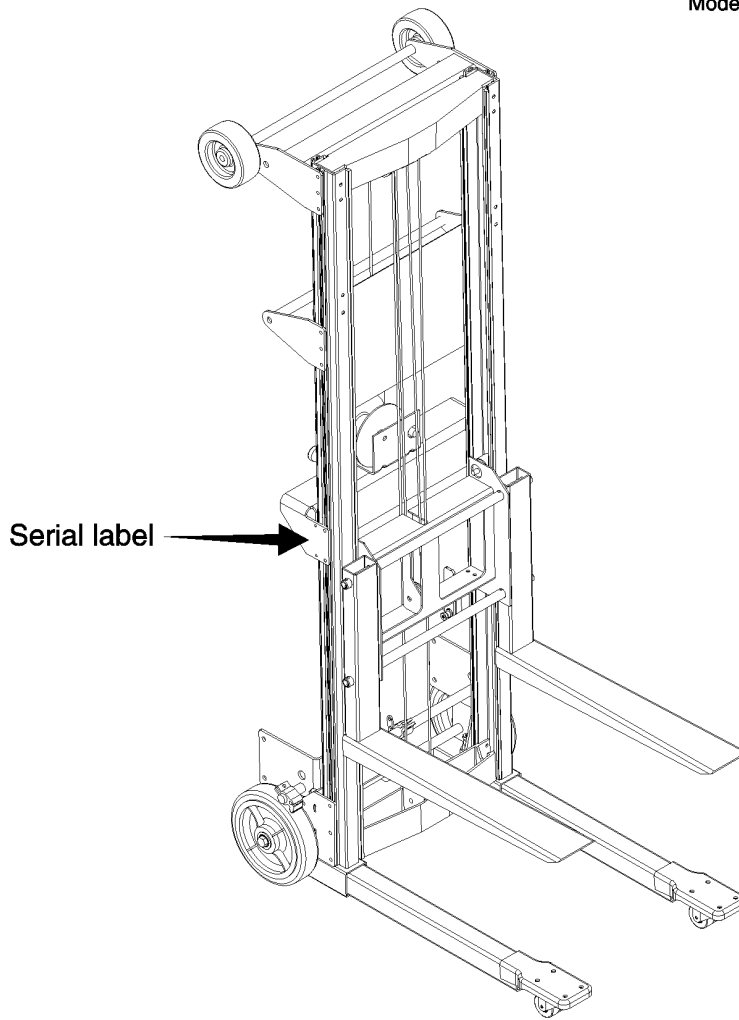
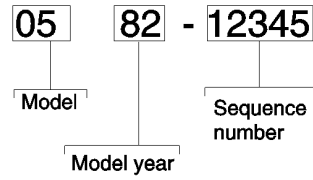
 Printed on recycled paper

**Genie**  
A TEREX BRAND  
Terex South Dakota, Inc.  
18340 NE 76th Street  
Redmond, WA 98052 USA

**Model Name:** GL

**Serial Number:** 0582-12345  
**Manufacture Date:** 01/02/03  
**Electrical Schematic:** N/A

**CE**  
YR



## Table of Contents

This manual is updated frequently. If you have a printed manual, you can keep it up to date by downloading new figures from the Genie website at [www.genielift.com](http://www.genielift.com). For the most up-to-date parts information, visit the Parts Lookup System on the Genie website at [www.genielift.com](http://www.genielift.com).

How to Read Your Serial Number.....	3
Parts Stocking List.....	7
How to Order Parts.....	8
Service Parts Fax Order Form.....	9

### **Electronic Version**

Click on any page number to view the figure.

### **100 Parts Figures**

101.1 Genie Lift Overview.....	10
102.1 Outer Frame and Base Assembly.....	12
103.1 Inner Frame and Carriage Assembly.....	14
104.1 Winch Assembly.....	16
105.1 Accessories: Load Platform , boom, Outriggers.....	18
106.1 Accessories: Ladder Attachment.....	20
107.1 Accessories: Stair Glides and Stair Rollers.....	22

### **Indices**

Part Number Index.....	24
Part Description Index.....	25

### **Cross References**

***This Page Intentionally Left Blank***



## Required Parts

The following parts are required to perform maintenance procedures as outlined in the *Genie Lift Service Manual*.

Description	Part No.
Boe Lube (wax) .....	90337
Grease - Lithium (white) 14 oz .....	91670
Coupler - Cable Replacement .....	12402
Brake Disk, UHMW .....	35630
Owner's Manual - Electric Winch .....	35503
Bushing, Large Pinion, Fulton .....	6204
Bushing, Small Pinion, Fulton.....	6199

## Recommended Parts

Description	Part No.
Genie Blue Paint, 1 Gallon .....	32150
Genie Blue Paint, 12 Ounce Aerosol .....	1484
Genie Gray Paint, 1 Gallon .....	32151
Genie Gray Paint, 12 Ounce Aerosol .....	1268

Genie also offers the following support documents:

EMI Safety Manual .....	27581
Manual of Responsibilities ANSI A92.5 .....	31587

## How To Order Parts

### How to Order Parts

Please be prepared with the following information when ordering replacement parts for your Terex or Genie product.

- Machine model number
- Machine serial number
- Part number
- Part description and quantity
- Purchase order number
- "Ship to" address
- Desired method of shipment
- Name and telephone number of the authorized distributor in your area.

Use the Service Parts Fax Order Form on the next page and fax your order to our Parts Department.

If you don't know the name of your authorized distributor, or if your area is not currently serviced by an authorized distributor, please call Terex or Genie Industries.

### Machine Information

\_\_\_\_\_

Model

\_\_\_\_\_

Serial Number

\_\_\_\_\_

Date of Purchase

\_\_\_\_\_

Authorized Genie Distributor

\_\_\_\_\_

Phone Number

#### North America

Telephone (425)881-1800  
 Toll Free (800)536-1800 in US and Canada  
 Fax (425)556-8659  
 Toll Free fax (888)274-6192  
 Email [AWP.PartsSalesPO@terex.com](mailto:AWP.PartsSalesPO@terex.com)  
<http://genielift.com/en>

#### EMEAR (Europe, Middle East, Africa and Russia)

Telephone (31)(165)519 313  
 Fax (31)(165)511 148  
<http://genielift.co.uk>

#### Asia Pacific (Genie Singapore)

Telephone +65 6692 7777  
 Fax +65 6261 8893  
<http://genielift.com.sg/>

#### Australia

Telephone (61)(7)3456 4444  
 Fax (61)(7)3456 4466  
<http://genielift.com.au>

#### South America

Telephone (55)(11)4082 5600  
 Fax (55)(11)4082 5630





Service Parts Fax Order Form

Fax to: (425) 556-8659 or Toll Free: 888-274-6192  
International: +1-425-556-8659

**Please fill out completely**

Date \_\_\_\_\_ Account Number \_\_\_\_\_  
 Your Name \_\_\_\_\_ Your Fax Number \_\_\_\_\_  
 \_\_\_\_\_ Your Phone Number \_\_\_\_\_  
 Bill To \_\_\_\_\_ Ship To \_\_\_\_\_  
 \_\_\_\_\_  
 \_\_\_\_\_  
 \_\_\_\_\_  
 Purchase Order Number \_\_\_\_\_ Ship Via \_\_\_\_\_

Model(s) \_\_\_\_\_ Serial No.(s) \_\_\_\_\_

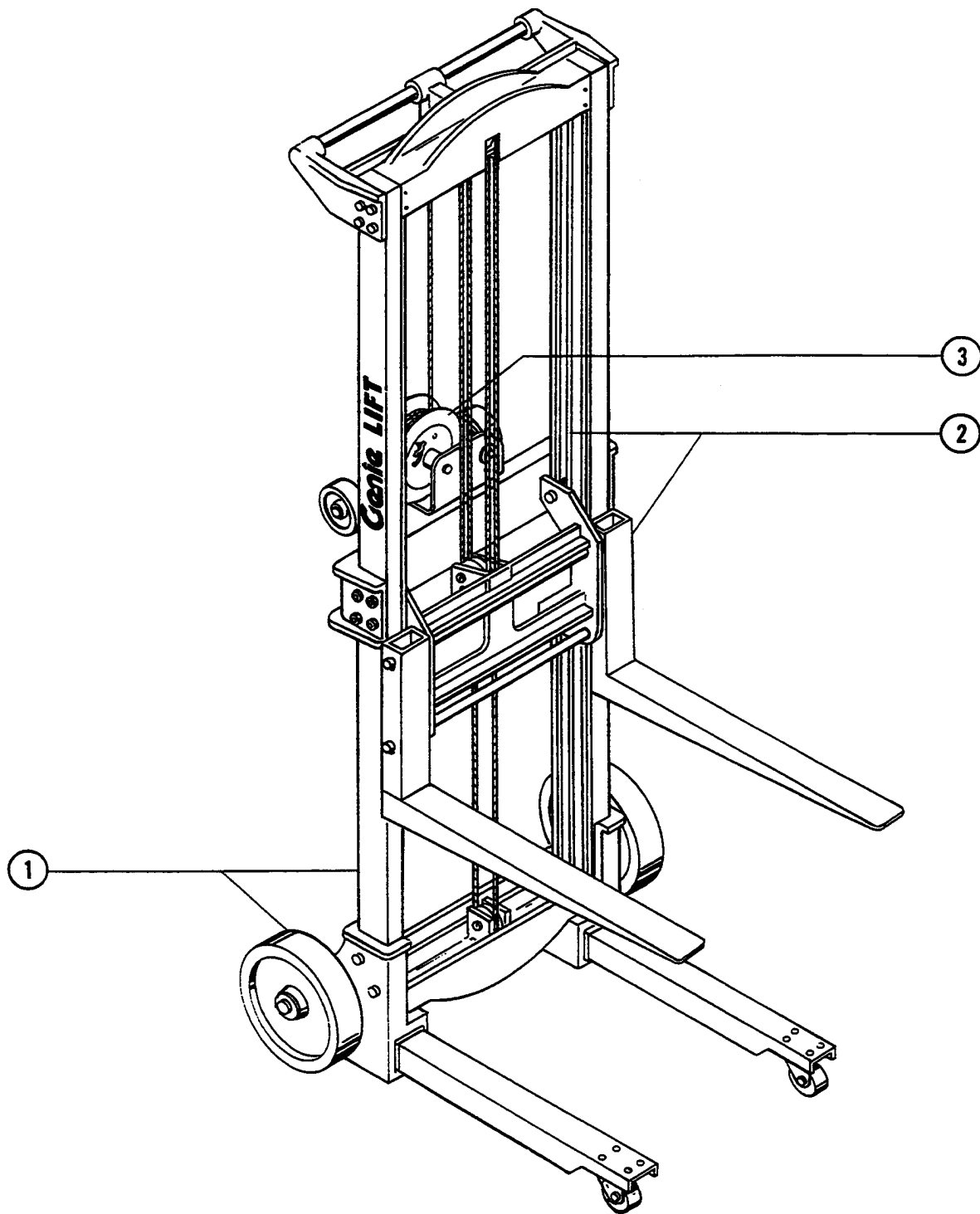
Optional Equipment \_\_\_\_\_

Part Number	Description	Quantity	Price

All back-ordered parts will be shipped when available via the same ship method as the original order unless Noted below:

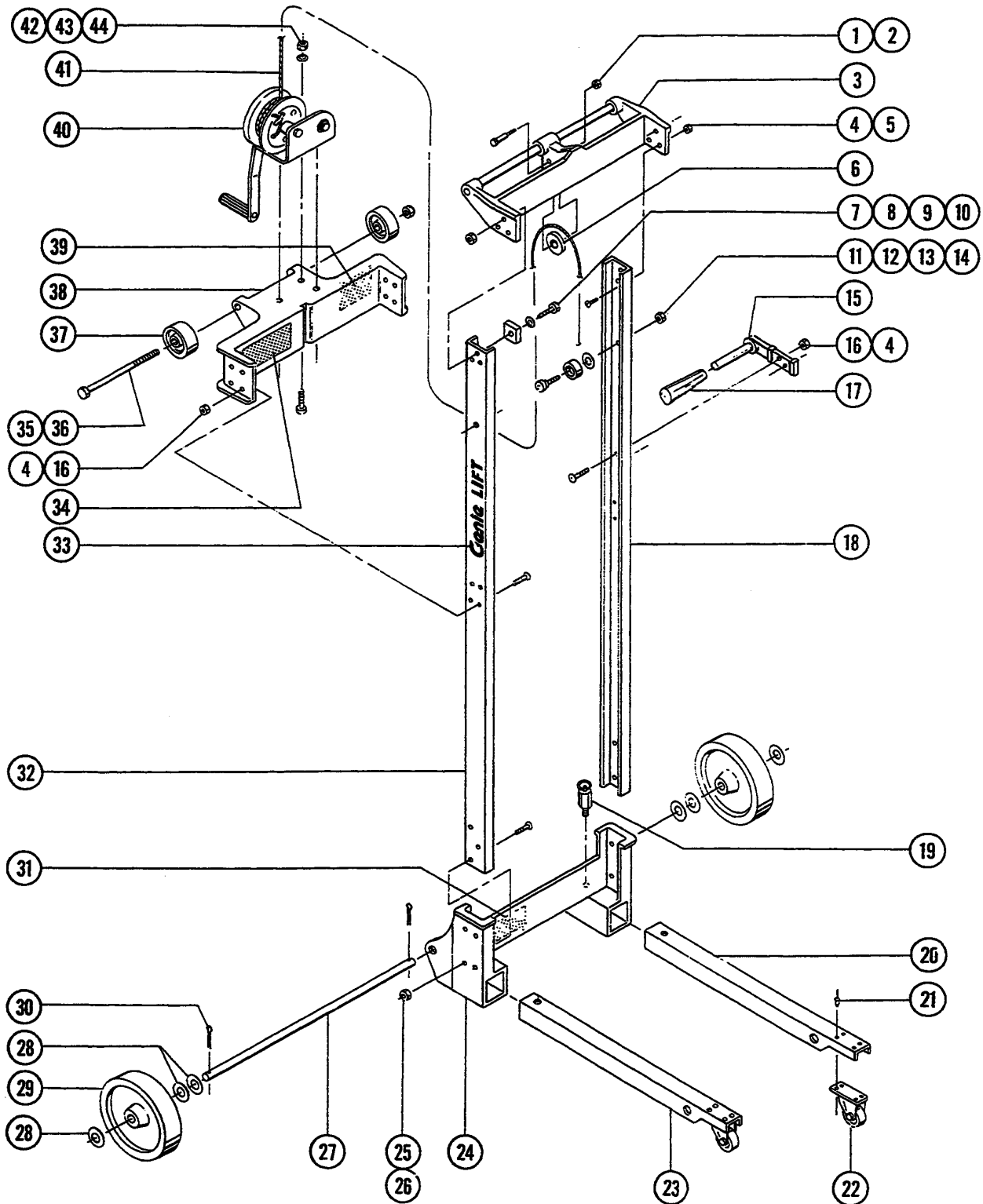
- Ship complete order only - No back orders
- Ship all available parts and contact customer on disposition of back-ordered parts
- Other (please specify)

101.1 Genie Lift Overview



Item	Part No.	Description	Qty.
1		Outer Frame and Base Assembly Refer to Figure 2	
2		Inner Frame and Carriage Assembly Refer to Figure 3	
3		Winch Assembly Refer to Figure 4	

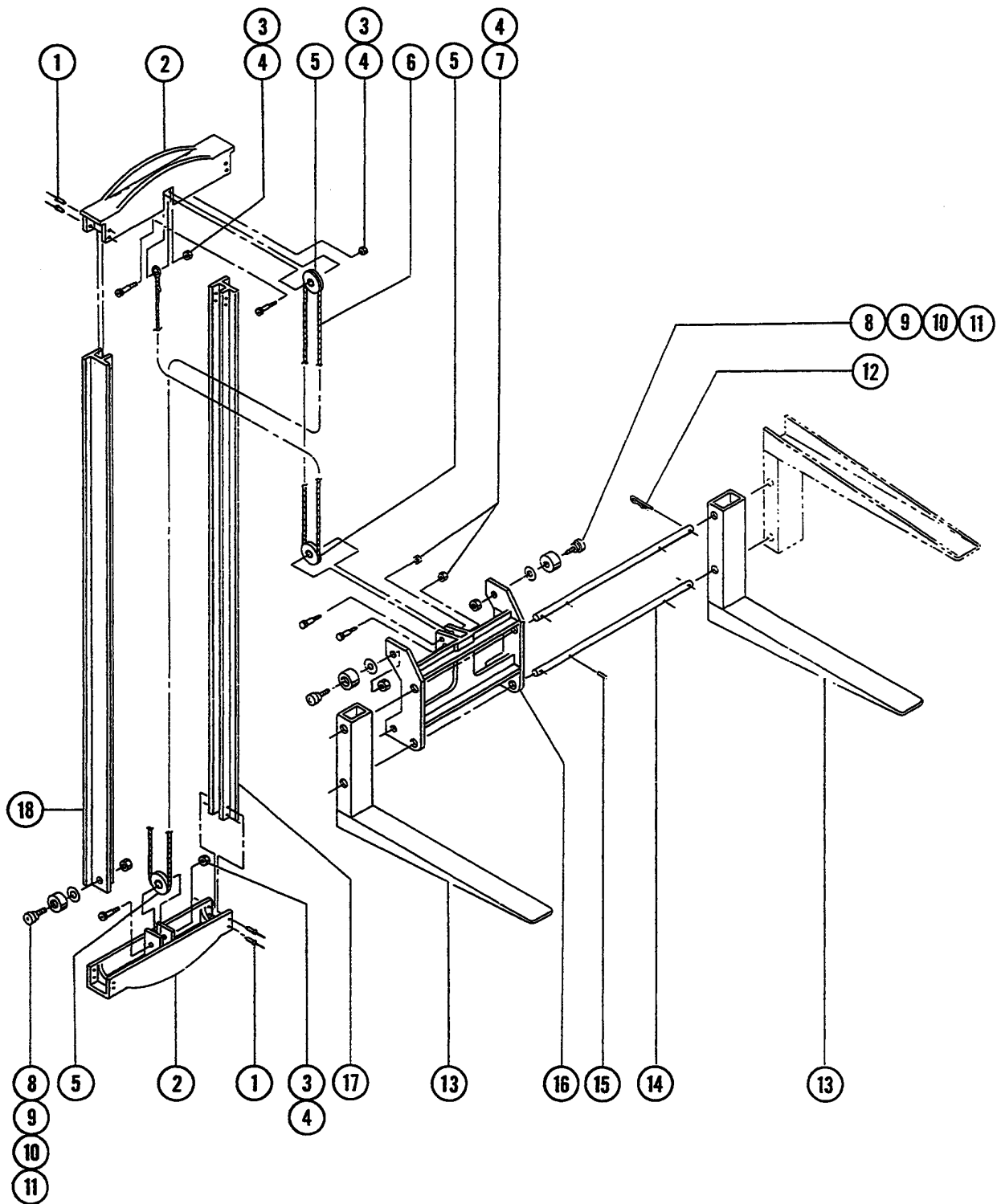
102.1 Outer Frame and Base Assembly



## 102.1 Outer Frame and Base Assembly

Item	Part No.	Description	Qty.	Item	Part No.	Description	Qty.
--	90337GT	BOE LUBE..... <i>aluminum dry lubricant</i>	1	29	33852GT	WHEEL, 8 X.625 X 1.625.....	2
1	5116GT	SCREW,SHS,10-24 X 1.25.....	1	30	6094GT	PIN,COTTER,,125 X 1.....	2
2	5365GT	NUT,NYLOCK,10-24.....	1	31		Serial Number Plate (Consult Factory for Ordering).....	2
3	1250GT	HANDLE CASTING-GENIE LIFT%%.....	1	32		CHANNEL-59.06"GL4/8,OUTERFRAME.1 <i>(component no longer available)</i>	1
4	6091GT	NUT,NYLOCK,1/4-20..... <i>Models 4 &amp; 8</i>	18	32	5004GT	Outer Frame Channel - R H..... <i>Model 10</i>	1
4	6889GT	NUT,LP NYLOCK,1/4-20..... <i>Models 10 &amp; 12</i>	22	32	5006GT	Outer Frame Channel - R H..... <i>Model 12</i>	1
5	8514GT	SCREW,FHS,1/4-20 X .75.....	10	33	5163GT	DECAL,GENIE LIFT.....	2
6	5057GT	OBS.SEE 28687 (PULLEY).....	1	34	5189GT	DECAL,CAUTION".....	1
7	4828GT	NUT,NYLOCK,3/8-16.....	2	35	14181GT	SCREW,HHC,1/2-13 X 12 GRD.2.....	1
8	11544GT	SLIDER BLOCK..... <i>Model 4 only</i>	2	36	6086GT	NUT,LP NYLOCK,1/2-13.....	1
9	6097GT	WASHER,FLAT,USS,3/8",Y.....	2	37	57784GT	WHEEL,POLYOLEFIN,4X1.25,1/2.....	2
10	13918GT	SCREW,HHC,3/8-16 X 1.75,GRD.8.....	2	38	5104GT	WINCH CASTING,GL/HL,DRILLED.....	1
11	21280GT	BOLT-ROLLER,3/8-24 X 1.69-ZINC..... <i>Models 8, 10, &amp; 12</i>	4	39	5250GT	DECAL,350# GENERAL INSTRUCTION..... <i>Models 8, 10 &amp; 12</i>	1
12	5117GT	ROLLER,NYLATRON, 1.437" O.D..... <i>Models 8, 10, &amp; 12</i>	4	39	5251GT	DECAL,400.LB GL,GENERAL INSTR..... <i>Model 4</i>	1
13	7268GT	WASHER,SHIM,,.375 X.625X.033 ST..... <i>Models 8, 10, &amp; 12</i>	4	40		Winch Assembly Refer to Figure 4.....	1
14	5408GT	NUT,LP NYLOCK,3/8-24..... <i>Models 8, 10 &amp; 12</i>	4	41	5270GT	CABLE ASSEMBLY GL #8..... <i>Model 8</i>	1
15		HANDLE GRIP CASTING,STOCK..... <i>component no longer available</i>	2	41	5271GT	CABLE ASSEMBLY-GL#10..... <i>Model 10</i>	1
16		Bolt - FHMS, 1/4 - 20 x 1", Pltd..... <i>Models 10 &amp; 12</i>	12	41	5272GT	CABLE ASSEMBLY-GL#12..... <i>Model 12</i>	1
16	14182GT	SCREW,FHS,1/4-20 X 1..... <i>Models 4 &amp; 8</i>	8	41	5393GT	CABLE ASSEMBLY-GL#4..... <i>Model 4</i>	1
17	235184GT	GRIP,HANDLE..... <i>Models 10 &amp; 12</i>	2	42	6019GT	SCREW,HHC,3/8-16 X 1.25 GRD 5.....	3
18		CHANNEL-83.06"GL#12,OUTERFRAME (5005)..... <i>(component no longer available)</i>	1	43	6021GT	WASHER,LOCK,,.375.....	3
18	5003GT	CHANNEL-71.06"GL#10,OUTERFRAME.1 <i>Model 10</i>	1	44	4828GT	NUT,NYLOCK,3/8-16.....	3
19	6277GT	PIN,LOCK,SHORT W/PULL RING.....	2				
20	20056PGT	LEG STAMPING,GL, PAINTED.....	1				
21	6271GT	RIVET,STL,STL.MAN,P,.25 X .25.....	4				
22	124175GT	KIT,GL CASTER.....	2				
23	20098GT	LEG ASSEMBLY-GL..... <i>includes caster</i>	2				
24	5103GT	BASE CASTING,GL/HL--DRILLED.....	1				
25	6889GT	NUT,LP NYLOCK,1/4-20.....	6				
26	21671GT	SCREW,FHS,1/4-20 X .88.....	6				
27	5212ZGT	AXLE-.625 X 24",ZINC (GL/HL).....	1				
28	6035GT	WASHER,FLAT,USS,5/8",Y.....	6				

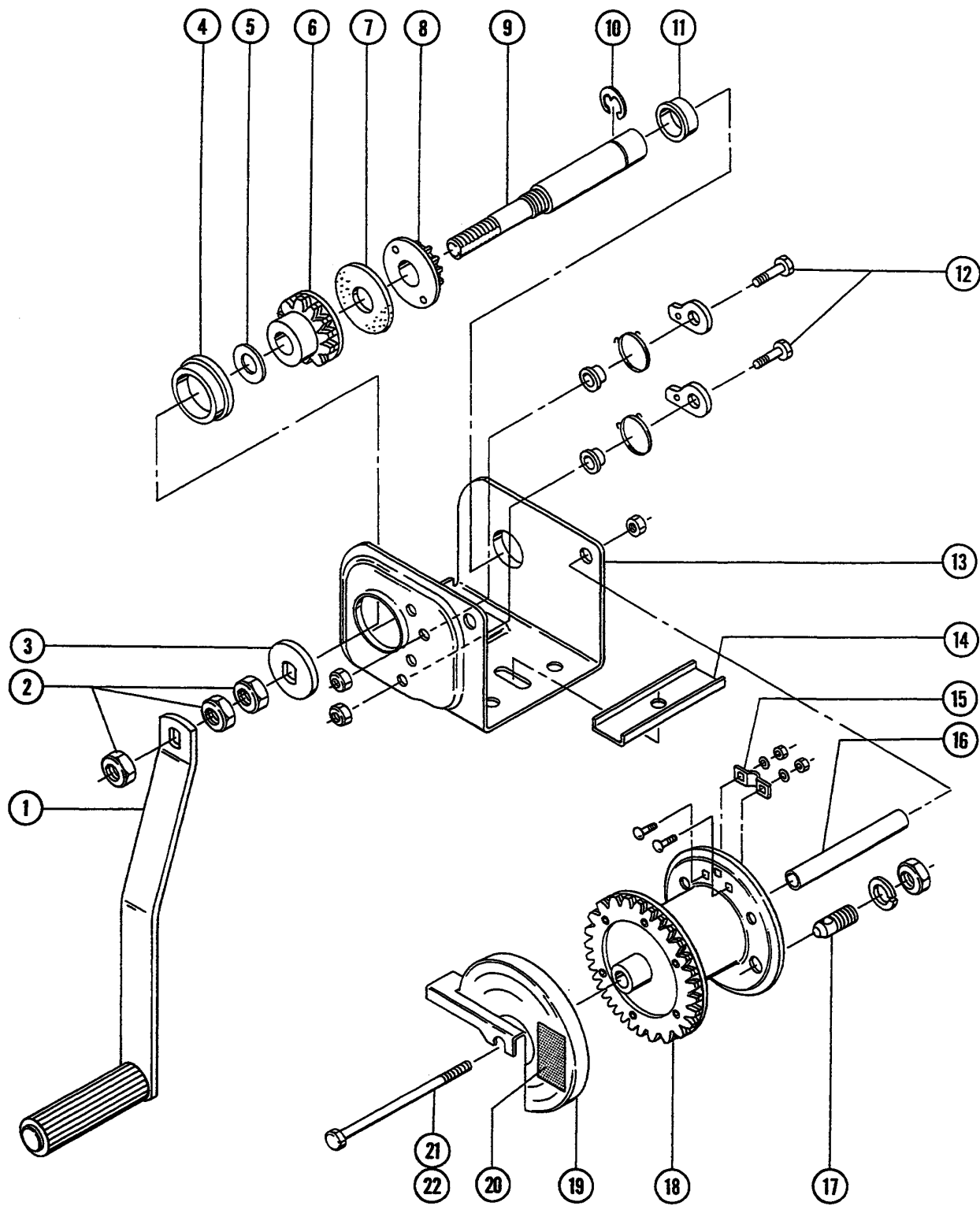
103.1 Inner Frame and Carriage Assembly



## 103.1 Inner Frame and Carriage Assembly

Item	Part No.	Description	Qty.
--	90337GT	BOE LUBE.....1 <i>aluminum dry lubricant</i>	
1	6876GT	RIVET,ALUM,STL,P,.25 X .375%.....16	
2	5106GT	INNER FRAME CSTG-DRILL(UP&LWR).....2	
3	5115GT	SCREW,SHS,10-24 X 1.....3	
4	5365GT	NUT,NYLOCK,10-24.....5	
5		Pulley with Bearing.....3 <i>Models 8, 10, &amp; 12</i>	
5	5057GT	OBS.SEE 28687 (PULLEY).....1 <i>Model 4</i>	
6	5270GT	CABLE ASSEMBLY GL #8.....1 <i>Model 8</i>	
6	5271GT	CABLE ASSEMBLY-GL#10.....1 <i>Model 10</i>	
6	5272GT	CABLE ASSEMBLY-GL#12.....1 <i>Model 12</i>	
6	5393GT	CABLE ASSEMBLY-GL#4.....1 <i>Model 4</i>	
7	5116GT	SCREW,SHS,10-24 X 1.25.....2	
8		Roller Bolt.....6 <i>Models 8, 10, &amp; 12</i>	
8	21280GT	BOLT-ROLLER,3/8-24 X 1.69-ZINC.....4 <i>Model 4</i>	
9		Roller.....6 <i>Models 8, 10, &amp; 12</i>	
9	5117GT	ROLLER,NYLATRON, 1.437" O.D.....4 <i>Model 4</i>	
10		Washer-Shim, .375" x .625" x .033".....6 <i>Models 8, 10, &amp; 12</i>	
10	7268GT	WASHER,SHIM,.375 X.625X.033 ST.....4 <i>Model 4</i>	
11		Nut - Low Profile Nylock, 3/8 - 24.....6 <i>Models 8, 10, &amp; 12</i>	
11	5408GT	NUT,LP NYLOCK,3/8-24.....4 <i>Model 4</i>	
12	5135GT	CLIP,HAIR PIN .094 X 2.5.....2	
13	5122GT	FORK WELDMENT GL(SINGLE).....2	
14	5124ZGT	FORK SUPPT.TUBE,GL,18.63"-ZINC.....2	
15	6142GT	PIN,ROLL,.125 X 1.25.....4	
16	5107GT	CARRIAGE CASTING,STD-DRILLED.....1 <i>Models 8, 10, &amp; 12</i>	
16	5108GT	CASTING,WIDE CARRIAGE,GL #4.....1 <i>Model 4</i>	
17		CHANNEL,LH-GL8 INNER FRM-58.56...1 <i>Model 8, part obsolete, no longer available from supplier</i>	
18		CHANNEL,RH-GL12 INN.FRM-82.56"....1 <i>Model 12, part obsolete, no longer available from supplier</i>	

104.1 Winch Assembly

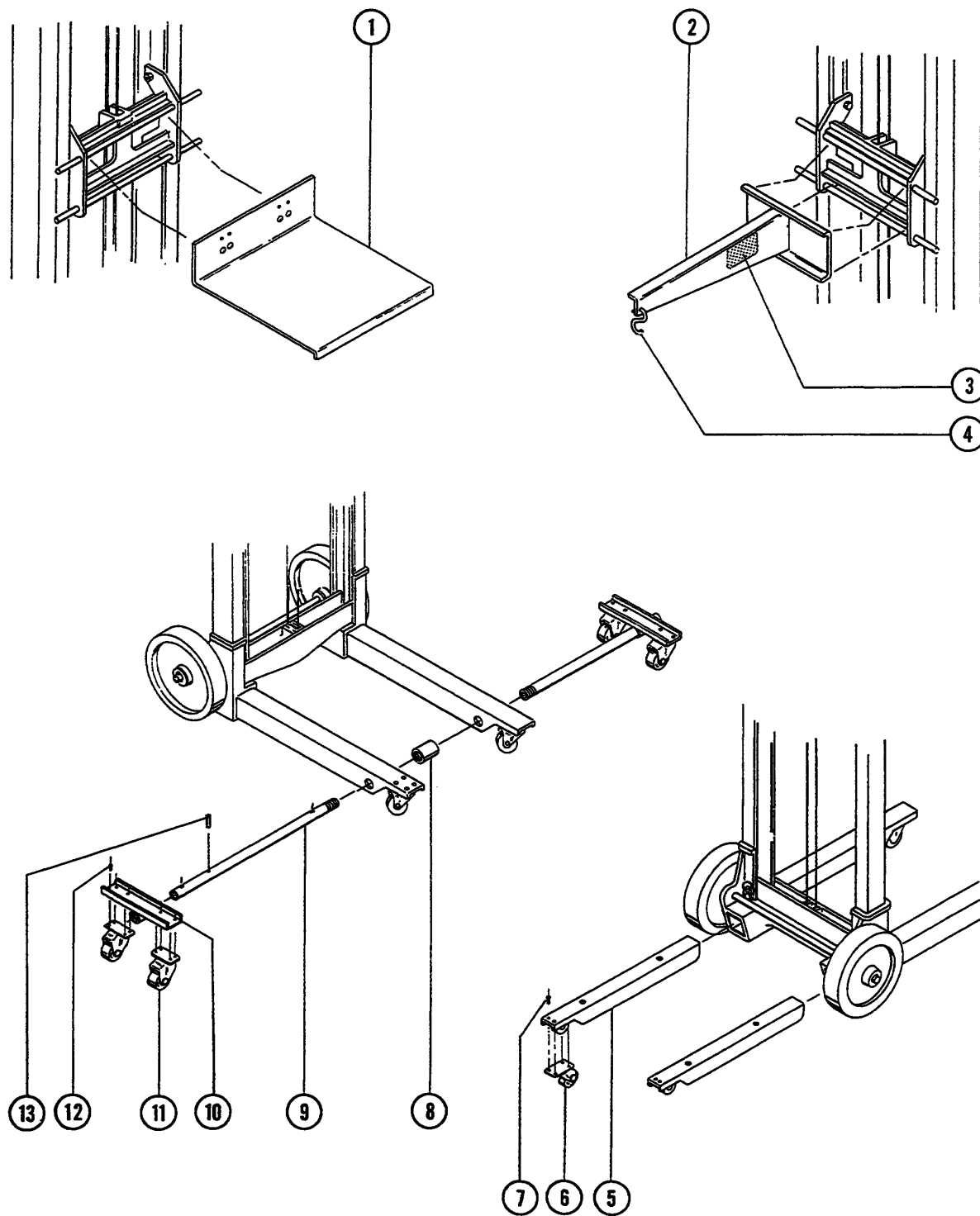




## 104.1 Winch Assembly

Item	Part No.	Description	Qty.
--	1282486GT	WINCH REINFORCE.PLATE --(BLUE)	
--	5033GT	WINCH ASSY-KX1051,W/SHORT HNDL	
--	5109GT	WINCH ASSEMBLY-GL/HL KX1051	
1	16342GT	WINCH HANDLE-O.A.LENGTH-11".....1	
1	16344GT	WINCH HANDLE-O.A.LENGTH-6.25".....1	
2	6034GT	NUT,HEX,JAM,1/2-13.....3	
3	14189GT	PINION PLATE (KX/KH-1051,1050).....1	
4	6204GT	BUSHING, LARGE PINION, FULTON.....1	
5	14190GT	WASHER,THRUST, KX-1050,1051.....1	
6	14191GT	RATCHET GEAR ASSY, K-1050,1051.....1	
7	5157GT	FRICITION DISC, KX-1000,050,051.....1	
8		PINION GEAR ASSY, KX-1050,1051 (14193).....1 <i>component no longer available</i>	
9	14194GT	PINION SHAFT, KX-1050,1051.....1	
10		RETAINING RING (6200).....1 <i>(not sold separately)</i>	
11	1256081GT	SERVICE KIT,PINION SHAFT-K1550.....2	
12	5156GT	RATCHET KIT,K-1000 SERIES,935.....2 <i>including: Bolt (1), Pawl (1), Spring (1), Nut (1)</i>	
13		Winch Housing (not a Service Part).....2	
14	1282486GT	WINCH REINFORCE.PLATE --(BLUE)...1	
15	6190GT	CABLE KEEP.KIT (BRACKET TYPE)*.....2 <i>including: Nut (2), Lockwasher (2), Keeper Clip (1), Nut (2)</i>	
16		SPACER, DRUM BOLT, K-1000,1050 (5320).....1 <i>component no longer available</i>	
17	9134GT	CABLE KEEP.KIT (THREADED STUD).....1	
18		Drum Assembly (not a Service Part).....1	
19		COVER, DRUM, KX-1000,050,051 (5376).....1 <i>component no longer available</i>	
20	5343GT	DECAL,MAINT. LUBRICATION, YLW.....1	
21	6326GT	SCREW,HHC,3/8-16 X 3.....1	
22	12012GT	NUT,LOCK,3/8-16.....1	

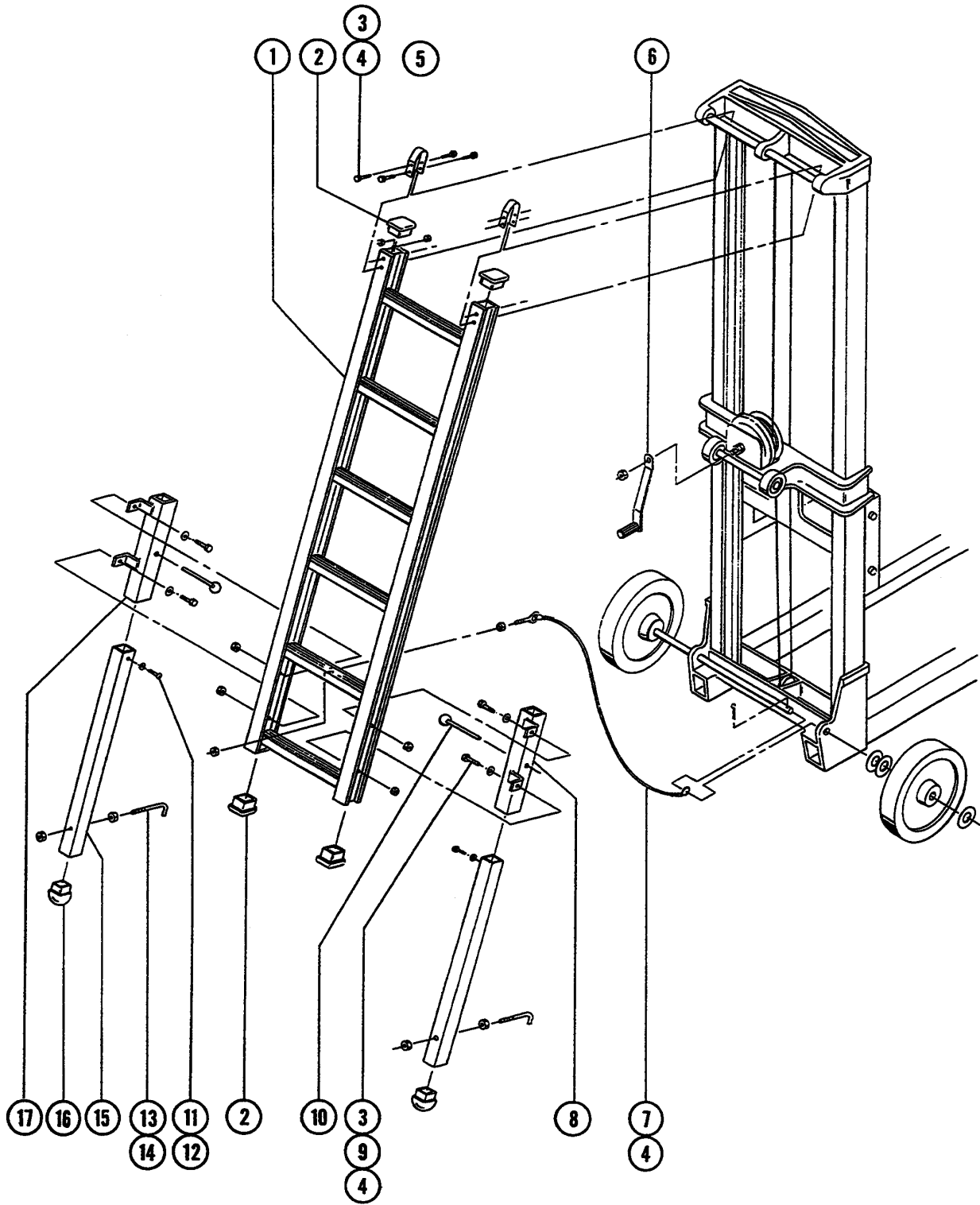
105.1 Accessories: Load Platform , boom, Outriggers



## 105.1 Accessories: Load Platform , boom, Outriggers

Item	Part No.	Description	Qty.
1	5403GT	LOAD PLATFORM ACCESSORY-GL/HL.....	1
2	5402GT	BOOM ASSY--GENIE LIFT..... <i>Includes Index No.'s 3 &amp; 4</i>	1
3	5144GT	DECAL,GENIE BOOM ATTACH.....	1
4	5143GT	HOOK, " S ".....	1
5		OUTRIG.STAMPING GL,REAR 20" (5367P)..... <i>(component no longer available)</i>	1
6		CASTER,PL,SW. 1.625 X .75..... <i>(component no longer available)</i>	1
7	5400GT	STABILIZER EXTENSION ACCES.PKG..... <i>Standard on Models 10 &amp; 12; Includes Index No's 8, 9, 10, 11, 12 &amp; 13</i>	4
8	5133GT	COUPLING,140138-16-16.....	1
9	5136GT	PIPE-OUTRIG.EXT,DRILLED---22".....	2
10	5098GT	CASTER PLATE STAMPING.....	2
11	124175GT	KIT,GL CASTER.....	4
11A	124173GT	CASTER,PL,SW 2X.875	
11B	124174GT	SPACER,GL CASTER	
11C	8914GT	SCREW,HHC,1/4-20 X .625	
11D	6889GT	NUT,LP NYLOCK,1/4-20	
13	6608GT	PIN,ROLL,.188 X .75.....	6

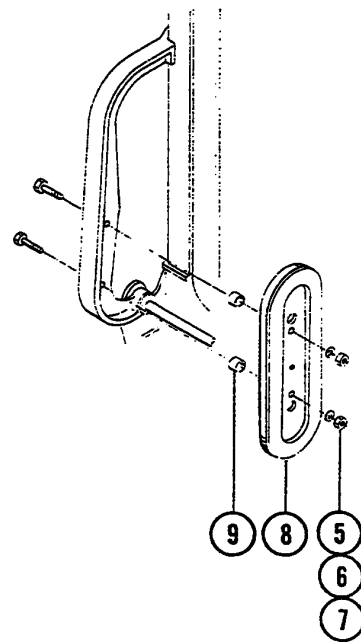
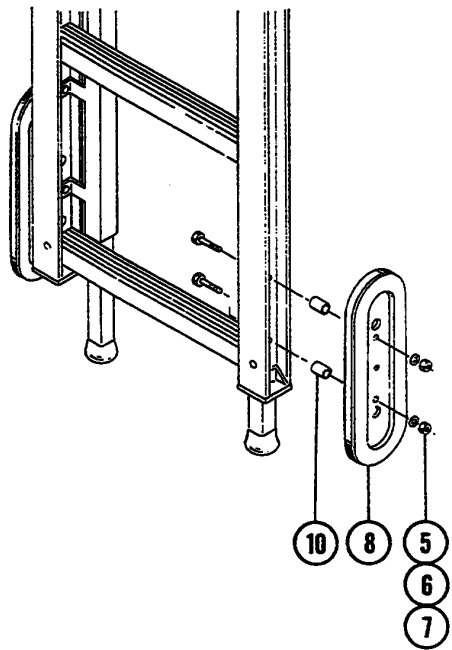
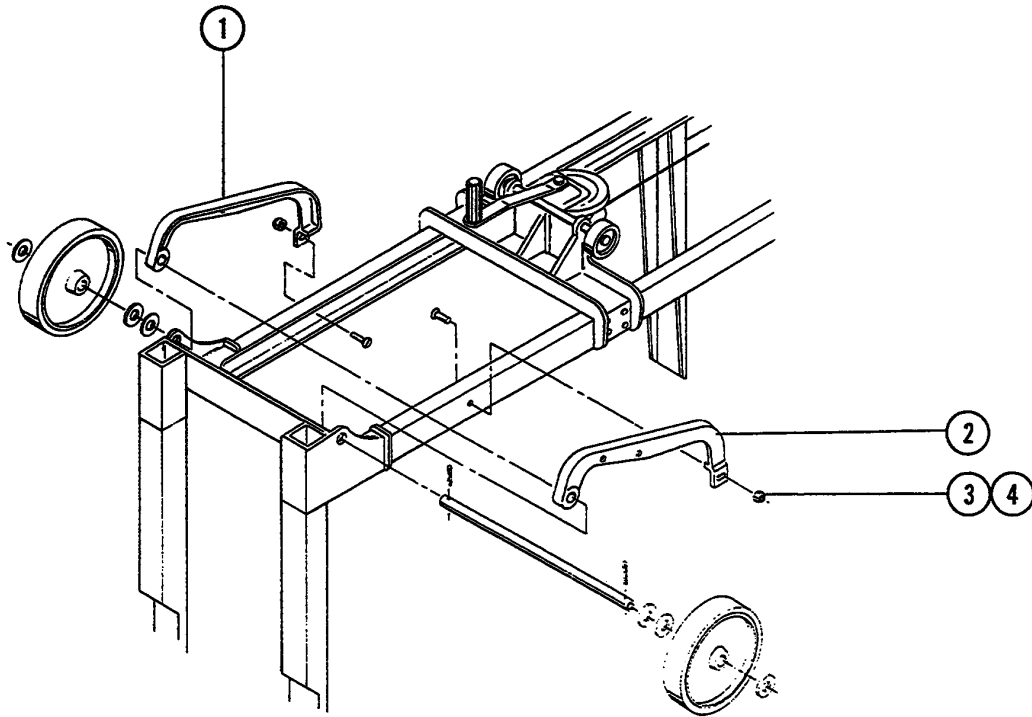
106.1 Accessories: Ladder Attachment



## 106.1 Accessories: Ladder Attachment

Item	Part No.	Description	Qty.
--	5240GT	LADDER ASSY,#4/#8-(ACCESSORY) <i>Includes Index No's 1 through 17 below; Models 4 &amp; 8</i>	
--	5283GT	LADDER ASSY, #10-(ACCESSORY) <i>Includes Index No's 1 through 17 below; Model 10</i>	
--	5284GT	LADDER ASSY, #12-(ACCESSORY) <i>Includes Index No's 1 through 17 below; Model 12</i>	
1		Ladder (Not available separately)	
2	9138GT	LADDER END CAP%%.....	4
3	6090GT	SCREW,HHC,1/4-20 X .75.....	12
4	6091GT	NUT,NYLOCK,1/4-20.....	14
5	5372PGT	LADDER MOUNT BRKT. --(GRAY).....	2
6	16344GT	WINCH HANDLE-O.A.LENGTH-6.25".....	1
7	5039GT	LADDER CABLE ASSEMBLY GL 4-8..... <i>Models 4 &amp; 8</i>	1
7	5374GT	LADDER CABLE ASSEMBLY GL 10..... <i>Model 10</i>	1
7	5375GT	LADDER CABLE ASSEMBLY GL 12..... <i>Model 12</i>	1
8	5247GT	LADDER LEG SOCKET WELDMENT-RH.....	1
9	6638GT	WASHER,FLAT,USS,1/4"Y.....	4
10	11064GT	PIN,BALL RET.-.25 X 2.5.....	2
11	5094GT	SCREW,RHM,10-32 X .5.....	2
12	6607GT	WASHER,LOCK,#10 PLTD.....	2
13	5244GT	HOOK BOLT, 1/4-20.....	2
14	6357GT	NUT,HEX,1/4-20.....	4
15	5289GT	TUBE-LADDER LEG-23.5".....	2
16	5288GT	LADDER LEG INSERT-ROCKER STYLE.....	2
17	5248GT	LADDER LEG SOCKET WELDMENT-LH.....	1

107.1 Accessories: Stair Glides and Stair Rollers



## 107.1 Accessories: Stair Glides and Stair Rollers

Item	Part No.	Description	Qty.
--		STAIR GLIDE PKG GL-(ACCESSORY) <i>(the stair glide accessory, 5401, is no longer available)</i>	
--	5186GT	STAIR ROLLER PKG.-(ACCESSORY)....2 <i>Includes Index No's 5, 6, 7, 8, 9 &amp; 10</i>	
1		STAIR GLIDE-LEFT, GL/HL.....1 <i>(the stair glide, left, 5226 is no longer available)</i>	
2		STAIR GLIDE-RIGHT, GL/HL.....1 <i>(the stair glide, right, 5226 is no longer available)</i>	
3	8514GT	SCREW,FHS,1/4-20 X .75.....2	
4	6091GT	NUT,NYLOCK,1/4-20.....2	
5	15180GT	STAIR ROLLER-DRILLED.....2	
6	6708GT	SCREW,HHC,3/8-16 X 2.25.....4	
7	6021GT	WASHER,LOCK,,375.....4	
8	4828GT	NUT,NYLOCK,3/8-16.....4	
9	5101GT	TUBE-GLIDE ROLLER SPACER-.938"...4	
10	5138GT	TUBE-LADDER ROLLER SPACER-1.31.....4	

## Part Number Index

The Part Number Index is a numeric index of all part numbers included in this manual. The index shows what page(s) the part is used on.

Part Number	Page	Part Number	Page
11064GT	21	5375GT	21
11544GT	13	5393GT	13, 15
12012GT	17	5400GT	19
124173GT	19	5402GT	19
124174GT	19	5403GT	19
124175GT	13, 19	5408GT	13, 15
1250GT	13	57784GT	13
1256081GT	17	6019GT	13
1282486GT	17	6021GT	13, 23
13918GT	13	6034GT	17
14181GT	13	6035GT	13
14182GT	13	6086GT	13
14189GT	17	6090GT	21
14190GT	17	6091GT	13, 21, 23
14191GT	17	6094GT	13
14194GT	17	6097GT	13
15180GT	23	6142GT	15
16342GT	17	6190GT	17
16344GT	17, 21	6204GT	17
20056PGT	13	6271GT	13
20098GT	13	6277GT	13
21280GT	13, 15	6326GT	17
21671GT	13	6357GT	21
235184GT	13	6607GT	21
33852GT	13	6608GT	19
4828GT	13, 23	6638GT	21
5003GT	13	6708GT	23
5004GT	13	6876GT	15
5006GT	13	6889GT	13, 19
5033GT	17	7268GT	13, 15
5039GT	21	8514GT	13, 23
5057GT	13, 15	8914GT	19
5094GT	21	90337GT	13, 15
5098GT	19	9134GT	17
5101GT	23	9138GT	21
5103GT	13		
5104GT	13		
5106GT	15		
5107GT	15		
5108GT	15		
5109GT	17		
5115GT	15		
5116GT	13, 15		
5117GT	13, 15		
5122GT	15		
5124ZGT	15		
5133GT	19		
5135GT	15		
5136GT	19		
5138GT	23		
5143GT	19		
5144GT	19		
5156GT	17		
5157GT	17		
5163GT	13		
5186GT	23		
5189GT	13		
5212ZGT	13		
5240GT	21		
5244GT	21		
5247GT	21		
5248GT	21		
5250GT	13		
5251GT	13		
5270GT	13, 15		
5271GT	13, 15		
5272GT	13, 15		
5283GT	21		
5284GT	21		
5288GT	21		
5289GT	21		
5343GT	17		
5365GT	13, 15		
5372PGT	21		
5374GT	21		



The Part Description Index is an alphabetical index of all part descriptions included in this manual. The index shows what page(s) the part is used on.

<p><b>A</b></p> <p>AXLE-.625 X 24",ZINC (GL/HL).....13</p> <p><b>B</b></p> <p>BASE CASTING,GL/HL--DRILLED.....13 BOE LUBE.....13, 15 Bolt - FHMS, 1/4 - 20 x 1", Pltd.....13 BOLT-ROLLER,3/8-24 X 1.69-ZINC.....13, 15 BOOM ASSY--GENIE LIFT.....19 BUSHING, LARGE PINION, FULTON.....17</p> <p><b>C</b></p> <p>CABLE ASSEMBLY GL #8.....13, 15 CABLE ASSEMBLY-GL#10.....13, 15 CABLE ASSEMBLY-GL#12.....13, 15 CABLE ASSEMBLY-GL#4.....13, 15 CABLE KEEP.KIT (BRACKET TYPE)*.....17 CABLE KEEP.KIT (THREADED STUD).....17 CARRIAGE CASTING,STD-DRILLED.....15 CASTER PLATE STAMPING.....19 CASTER,PL,SW 2X.875.....19 CASTER,PL,SW. 1.625 X .75.....19 CASTING,WIDE CARRIAGE,GL #4.....15 CHANNEL,LH-GL8 INNER FRM-58.56.....15 CHANNEL,RH-GL12 INN.FR-82.56".....15 CHANNEL-59.06"GL4/8,OUTERFRAME.....13 CHANNEL-71.06"GL#10,OUTERFRAME.....13 CHANNEL-83.06"GL#12,OUTERFRAME (5005).....13 CLIP,HAIR PIN .094 X 2.5.....15 COUPLING,140138-16-16.....19 COVER, DRUM, KX-1000,050,051 (5376).....17</p> <p><b>D</b></p> <p>DECAL,350# GENERAL INSTRUCTION.....13 DECAL,400.LB GL,GENERAL INSTR.....13 DECAL,CAUTION".....13 DECAL,GENIE BOOM ATTACH.....19 DECAL,GENIE LIFT.....13 DECAL,MAINT. LUBRICATION, YLW.....17 Drum Assembly (not a Service Part).....17</p> <p><b>F</b></p> <p>FORK SUPPT.TUBE,GL,18.63"-ZINC.....15 FORK WELDMENT GL(SINGLE).....15 FRICTION DISC, KX-1000,050,051.....17</p> <p><b>G</b></p> <p>GRIP,HANDLE.....13</p> <p><b>H</b></p> <p>HANDLE CASTING-GENIE LIFT%.....13 HANDLE GRIP CASTING,STOCK.....13 HOOK BOLT, 1/4-20.....21 HOOK, " S ".....19</p> <p><b>I</b></p> <p>Inner Frame and Carriage Assembly Refer to Figure 3.....11 INNER FRAME CSTG-DRILL(UP&amp;LWR).....15</p>	<p><b>K</b></p> <p>KIT,GL CASTER.....13, 19</p> <p><b>L</b></p> <p>Ladder (Not available separately).....21 LADDER ASSY, #10-(ACCESSORY).....21 LADDER ASSY, #12-(ACCESSORY).....21 LADDER ASSY,#4/#8-(ACCESSORY).....21 LADDER CABLE ASSEMBLY GL 10.....21 LADDER CABLE ASSEMBLY GL 12.....21 LADDER CABLE ASSEMBLY GL 4-8.....21 LADDER END CAP%.....21 LADDER LEG INSERT-ROCKER STYLE.....21 LADDER LEG SOCKET WELDMENT-LH.....21 LADDER LEG SOCKET WELDMENT-RH.....21 LADDER MOUNT BRKT. --(GRAY).....21 LEG ASSEMBLY-GL.....13 LEG STAMPING,GL, PAINTED.....13 LOAD PLATFORM ACCESSORY-GL/HL.....19</p> <p><b>N</b></p> <p>Nut - Low Profile Nylock, 3/8 - 24.....15 NUT,HEX,1/4-20.....21 NUT,HEX,JAM,1/2-13.....17 NUT,LOCK,3/8-16.....17 NUT,LP NYLOCK,1/2-13.....13 NUT,LP NYLOCK,1/4-20.....13, 19 NUT,LP NYLOCK,3/8-24.....13, 15 NUT,NYLOCK,1/4-20.....13, 21, 23 NUT,NYLOCK,10-24.....13, 15 NUT,NYLOCK,3/8-16.....13, 23</p> <p><b>O</b></p> <p>OBS.SEE 28687 (PULLEY).....13, 15 Outer Frame and Base Assembly Refer to Figure 2.....11 Outer Frame Channel - R H.....13 OUTRIG.STAMPING GL,REAR 20" (5367P).....19</p> <p><b>P</b></p> <p>PIN,BALL RET.-.25 X 2.5.....21 PIN,COTTER,.125 X 1.....13 PIN,LOCK,SHORT W/PULL RING.....13 PIN,ROLL,.125 X 1.25.....15 PIN,ROLL,.188 X .75.....19 PINION GEAR ASSY, KX-1050,1051 (14193).....17 PINION PLATE (KX/KH-1051,1050).....17 PINION SHAFT, KX-1050,1051.....17 PIPE-OUTRIG.EXT,DRILLED---22".....19 Pulley with Bearing.....15</p> <p><b>R</b></p> <p>RATCHET GEAR ASSY, K-1050,1051.....17 RATCHET KIT,K-1000 SERIES,935.....17 RETAINING RING (6200).....17 RIVET,ALUM,STL,P,.25 X .375%.....15 RIVET,STL,STL.MAN,P,25 X .25.....13 Roller.....15 Roller Bolt.....15 ROLLER,NYLATRON, 1.437" O.D.....13, 15</p>	<p><b>S</b></p> <p>SCREW,FHS,1/4-20 X .75.....13, 23 SCREW,FHS,1/4-20 X .88.....13 SCREW,FHS,1/4-20 X 1.....13 SCREW,HHC,1/2-13 X 12 GRD.2.....13 SCREW,HHC,1/4-20 X .625.....19 SCREW,HHC,1/4-20 X .75.....21 SCREW,HHC,3/8-16 X 1.25 GRD 5.....13 SCREW,HHC,3/8-16 X 1.75,GRD.8.....13 SCREW,HHC,3/8-16 X 2.25.....23 SCREW,HHC,3/8-16 X 3.....17 SCREW,RHM,10-32 X .5.....21 SCREW,SHS,10-24 X 1.....15 SCREW,SHS,10-24 X 1.25.....13, 15 Serial Number Plate (Consult Factory for Ordering).....13 SERVICE KIT,PINION SHAFT-K1550.....17 SLIDER BLOCK.....13 SPACER, DRUM BOLT, K-1000,1050 (5320).....17 SPACER,GL CASTER.....19 STABILIZER EXTENSION ACCES.PKG.....19 STAIR GLIDE PKG GL-(ACCESSORY).....23 STAIR GLIDE-LEFT, GL/HL.....23 STAIR GLIDE-RIGHT, GL/HL.....23 STAIR ROLLER PKG.-(ACCESSORY).....23 STAIR ROLLER-DRILLED.....23</p> <p><b>T</b></p> <p>TUBE-GLIDE ROLLER SPACER-.938".....23 TUBE-LADDER LEG-23.5".....21 TUBE-LADDER ROLLER SPACER-1.31.....23</p> <p><b>W</b></p> <p>WASHER,FLAT,USS,1/4"Y.....21 WASHER,FLAT,USS,3/8",Y.....13 WASHER,FLAT,USS,5/8",Y.....13 WASHER,LOCK,#10 PLTD.....21 WASHER,LOCK,.375.....13, 23 WASHER,SHIM,.375 X .625X.033 ST.....13, 15 WASHER,THRUST, KX-1050,1051.....17 Washer-Shim, .375" x .625" x .033".....15 WHEEL, 8 X.625 X 1.625.....13 WHEEL,POLYOLEFIN,4X1.25,1/2.....13 Winch Assembly Refer to Figure 4.....11, 13 WINCH ASSEMBLY-GL/HL KX1051.....17 WINCH ASSY-KX1051,W/SHORT HNDL.....17 WINCH CASTING,GL/HL,DRILLED.....13 WINCH HANDLE-O.A.LENGTH-11".....17 WINCH HANDLE-O.A.LENGTH-6.25".....17, 21 Winch Housing (not a Service Part).....17 WINCH REINFORCE.PLATE --(BLUE).....17</p>
---	---	--

***This Page Intentionally Left Blank***

California Proposition 65



**WARNING**

Operating, servicing and maintaining this equipment can expose you to chemicals including engine exhaust, carbon monoxide, phthalates, and lead, which are known to the State of California to cause cancer and birth defects or other reproductive harm. These chemicals can be emitted from or contained in other various parts and systems, fluids and some component wear by-products. To minimize exposure, avoid breathing exhaust, do not idle the engine except as necessary, service your equipment and vehicle in a well-ventilated area and wear gloves or wash your hands frequently when servicing your equipment or vehicle and after operation. For more information go to [www.P65Warnings.ca.gov/passenger-vehicle](http://www.P65Warnings.ca.gov/passenger-vehicle).

# Parts Manual

Genie Lift

*from 0582-7283 to 0597-20638*

Part No.  
22186

Rev A25

**Genie**  
A TEREX BRAND