



A TEREX BRAND

# *Parts Manual*

Serial Number Range

***Genie Hoist***

from SN 0284-8130 to  
0290-19110

Part No. 20942

Rev A22

November 2018

---

## Technical Publications

Genie has endeavored to deliver the highest degree of accuracy possible. However, continuous improvement of our products is a Genie policy. Therefore, product specifications are subject to change without notice.

Readers are encouraged to notify Genie of errors and send in suggestions for improvement. All communications will be carefully considered for future printings of this and all other manuals.

---

## Contact Us:

Internet: [www.genielift.com](http://www.genielift.com)  
e-mail: [awp.techpub@terex.com](mailto:awp.techpub@terex.com)

---

## Find a Manual for this Model

Go to <http://www.genielift.com>


Use the links to locate Operator's, Parts, Maintenance, and Service and Repair Manuals.

---

Copyright © 2011 Terex Corporation

20962 Rev A June 2013  
First Edition, First Printing

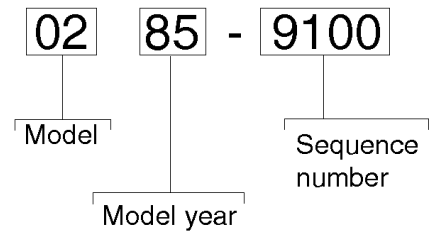
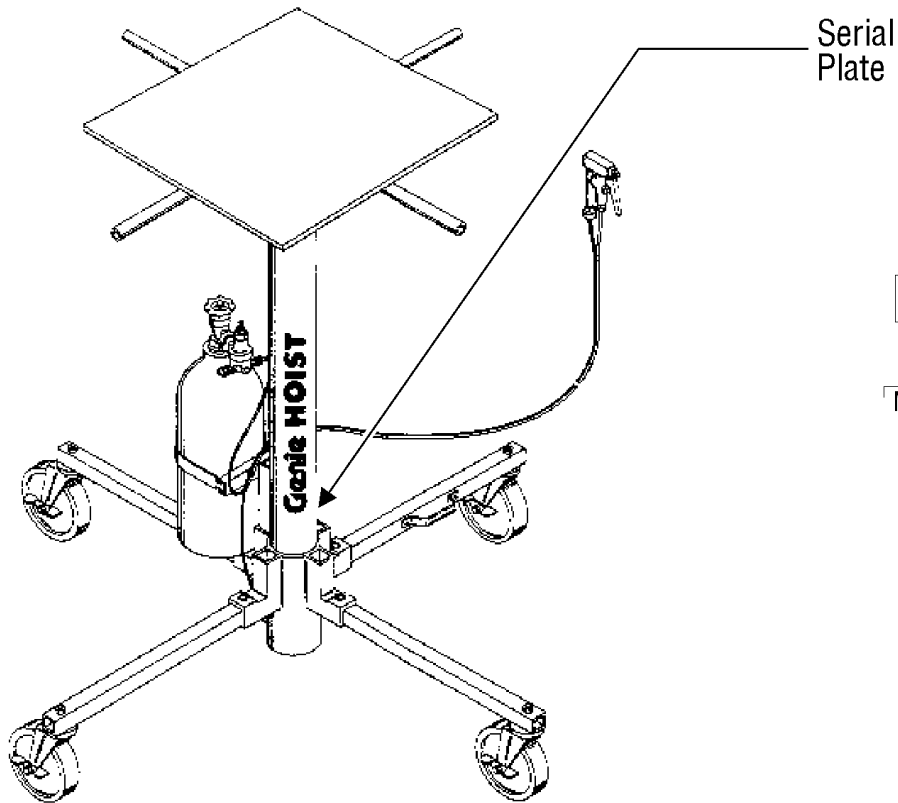
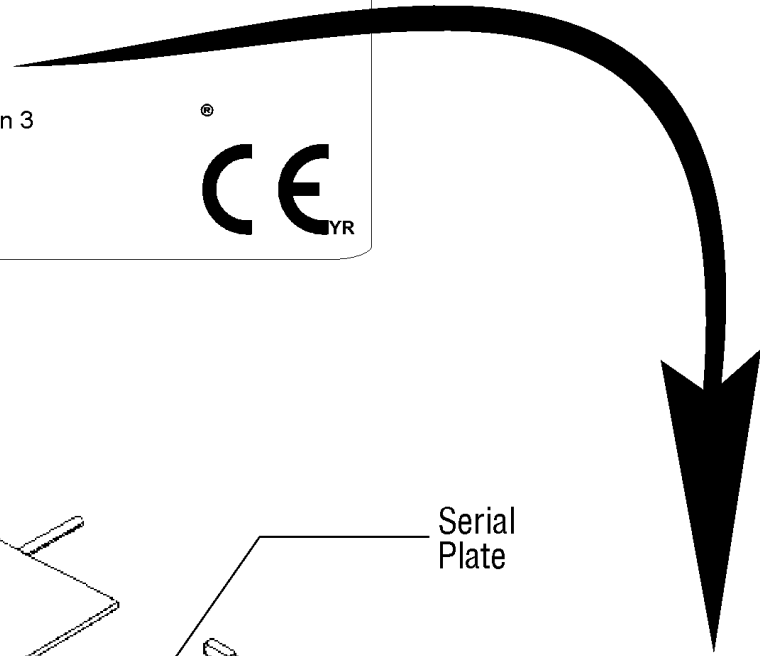
Genie is a registered trademark of Terex South Dakota, Inc. in the USA and many other countries. "Hoist" is a trademark of Terex South Dakota, Inc.

 Printed on recycled paper

**Genie**  
A TEREX BRAND  
Terex South Dakota, Inc.  
18340 NE 76th Street  
Redmond, WA 98052 USA

Model Name: Position 1  
Serial Number: 0285-9100  
Manufacture Date: 6/5/04  
Electrical Schematic: Position 3

®  
**CE**  
YR



## Table of Contents

This manual is updated frequently. If you have a printed manual, you can keep it up to date by downloading new figures from the Genie website at [www.genielift.com](http://www.genielift.com). For the most up-to-date parts information, visit the Parts Lookup System on the Genie website at [www.genielift.com](http://www.genielift.com).

|                                     |   |
|-------------------------------------|---|
| How to Read Your Serial Number..... | 3 |
| Parts Stocking List.....            | 7 |
| How to Order Parts.....             | 8 |
| Service Parts Fax Order Form.....   | 9 |

### **Electronic Version**

Click on any page number to view the figure.

### **100 Parts Figures**

|                                     |    |
|-------------------------------------|----|
| 101.1 Genie Hoist.....              | 10 |
| 102.1 Base Assembly.....            | 12 |
| 103.1 Cylinder Assembly.....        | 14 |
| 104.1 Pneumatic Power Assembly..... | 16 |
| 105.1 Load Platform Assembly.....   | 18 |

### **Indices**

|                             |    |
|-----------------------------|----|
| Part Number Index.....      | 20 |
| Part Description Index..... | 21 |

### **Cross References**

***This Page Intentionally Left Blank***



# Recommended Parts

**Description** **Part No.**

Genie Gray Paint, 1 Gallon .....32151

Genie Gray Paint, 12 Ounce Aerosol .....1268

Genie also offers the following support documents:

EMI Safety Manual .....27581

Manual of Responsibilities ANSI A92.5 .....31587

## How To Order Parts

### How to Order Parts

Please be prepared with the following information when ordering replacement parts for your Terex or Genie product.

- Machine model number
- Machine serial number
- Part number
- Part description and quantity
- Purchase order number
- "Ship to" address
- Desired method of shipment
- Name and telephone number of the authorized distributor in your area.

Use the Service Parts Fax Order Form on the next page and fax your order to our Parts Department.

If you don't know the name of your authorized distributor, or if your area is not currently serviced by an authorized distributor, please call Terex or Genie Industries.

### Machine Information

\_\_\_\_\_

Model

\_\_\_\_\_

Serial Number

\_\_\_\_\_

Date of Purchase

\_\_\_\_\_

Authorized Genie Distributor

\_\_\_\_\_

Phone Number

#### North America

Telephone (425)881-1800  
 Toll Free (800)536-1800 in US and Canada  
 Fax (425)556-8659  
 Toll Free fax (888)274-6192  
 Email [AWP.PartsSalesPO@terex.com](mailto:AWP.PartsSalesPO@terex.com)  
<http://genielift.com/en>

#### EMEAR (Europe, Middle East, Africa and Russia)

Telephone (31)(165)519 313  
 Fax (31)(165)511 148  
<http://genielift.co.uk>

#### Asia Pacific (Genie Singapore)

Telephone +65 6692 7777  
 Fax +65 6261 8893  
<http://genielift.com.sg/>

#### Australia

Telephone (61)(7)3456 4444  
 Fax (61)(7)3456 4466  
<http://genielift.com.au>

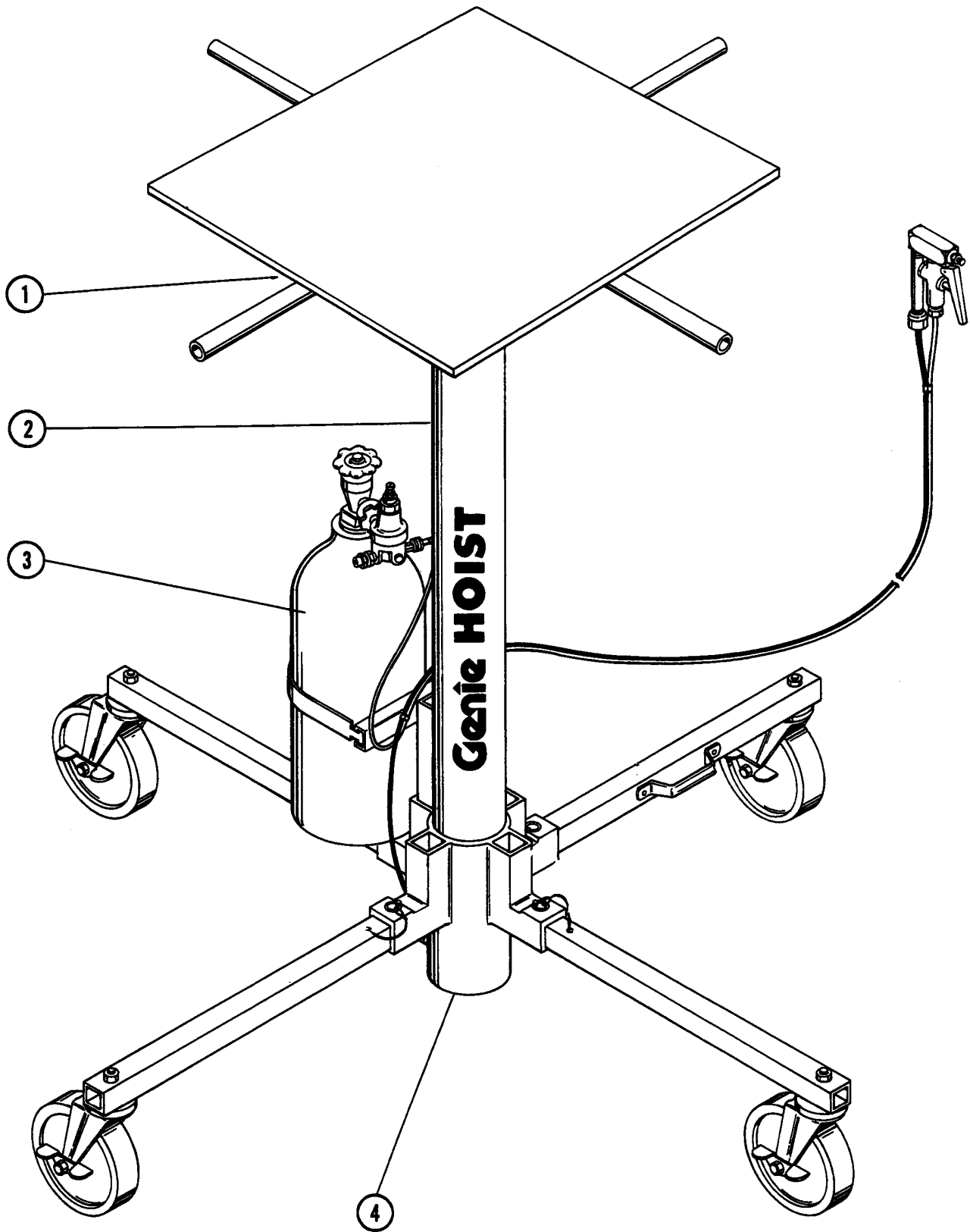
#### South America

Telephone (55)(11)4082 5600  
 Fax (55)(11)4082 5630



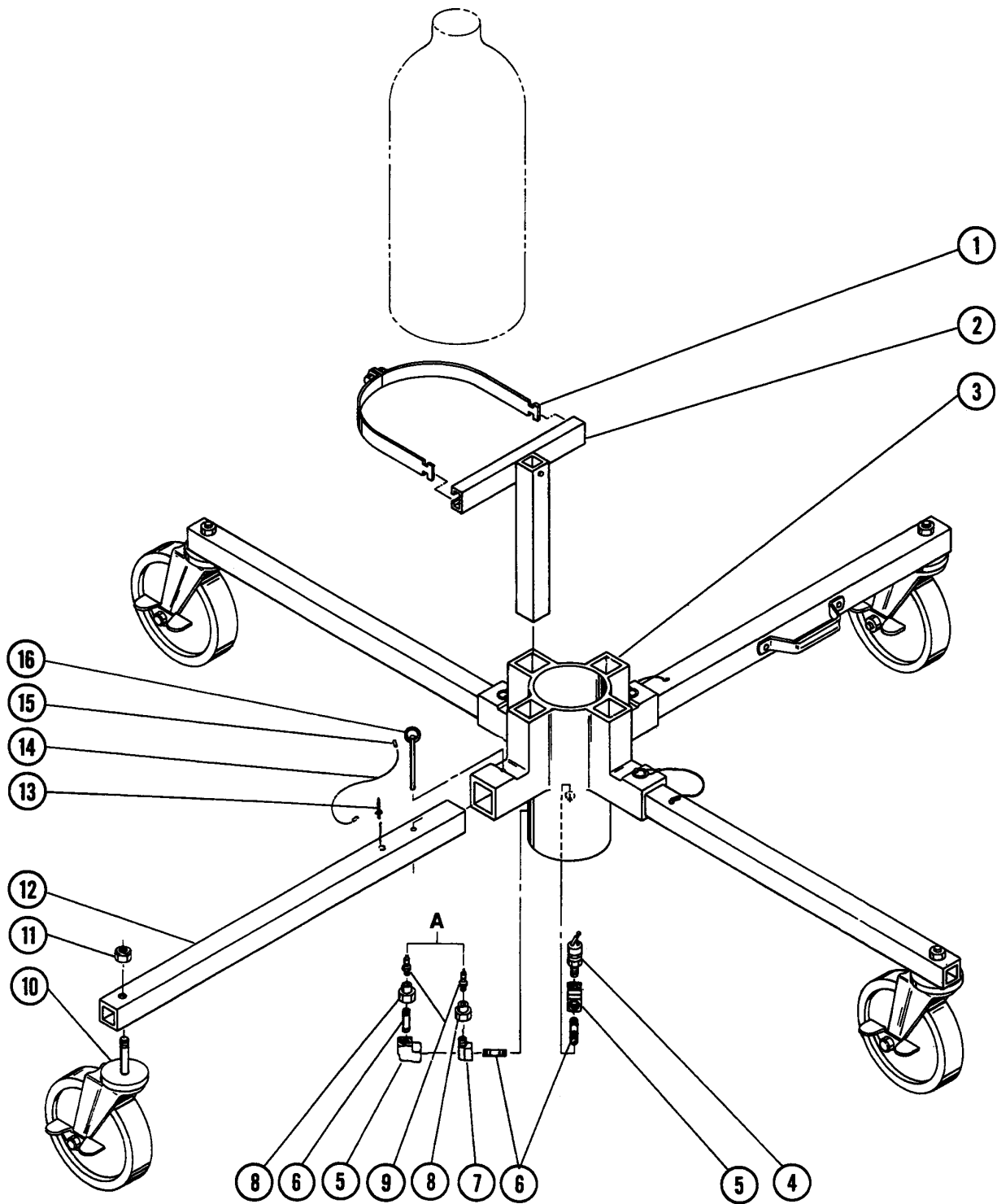


101.1 Genie Hoist



| Item | Part No. | Description   | Qty. |
|------|----------|---|------|
| --   | 2156GT   | SEAL KIT,7 STAGE HOIST-COMP.<br><i>rebuild kit for all stages in cylinder</i> |      |
| 1    |          | Load Platform Assembly Refer to 501.1..1                                      |      |
| 2    |          | Cylinder Assembly Refer to 301.1.....1  |      |
| 3    |          | Pneumatic Power Assembly Refer to<br>401.1.....1                              |      |
| 4    |          | Base Assembly Refer to 201.1.....1  |      |

102.1 Base Assembly

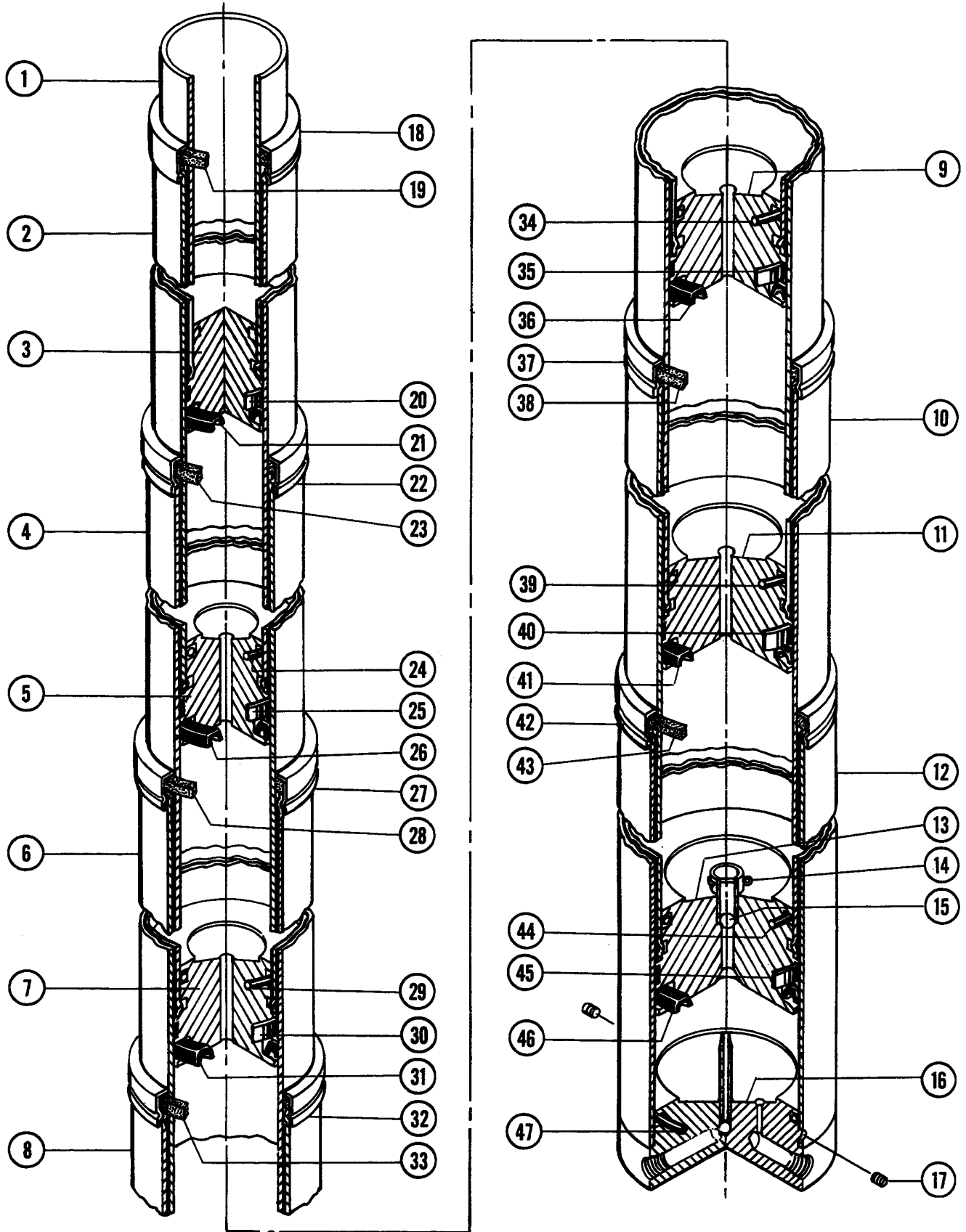


| Item | Part No. | Description   | Qty. |
|------|----------|---|------|
| 1    | 2313GT   | CLAMP SET(PAIR)20LB CO2<br>TANK%%.....1                               | 1    |
| 1    | 2314GT   | CLAMP SET-(PAIR),10LB CO2 TANK.....1                                  | 1    |
| 1    | 2316GT   | CLAMP SET-(PAIR),*JAPAN* CO2.....1<br><i>Japan</i>                    | 1    |
| 2    | 2181GT   | CO2 TANK MT.BRKT.WELD.-(EURO).....1<br><i>Europe</i>                  | 1    |
| 2    | 2184GT   | CO2 TANK MT.BRKT.WELD.-(JAPAN).....1<br><i>Japan</i>                  | 1    |
| 2    | 2310GT   | MOUNTING BRKT.ASSY-DOMES.CO2...1<br><i>Domestic</i>                   | 1    |
| 3    | 2221GT   | BASE<br>CASTING-TOWER/HOIST,DRILL.....1                               | 1    |
| 4    | 2211GT   | VALVE,QUICK EXHAUST ( HOIST ).....1                                   | 1    |
| 5    | 20516GT  | ELBOW,130238-4-4.....2<br>1   | 2    |
| 6    | 20515GT  | NIPPLE,1/4 MPT X 1.5",BRASS.....2<br>1                                | 2    |
| 7    | 6642GT   | ELBOW,130239-4-4.....1<br>1   | 1    |
| 8    | 2204GT   | COUPLING,130138-4-2.....1<br>1  | 1    |
| 9    | 2205GT   | QUICK DISCONNECT PLUG/#185.....1<br>1                                 | 1    |
| 10   | 2174GT   | CASTER, POST SW W/SB 6 X 1.375....4                                   | 4    |
| 11   | 6086GT   | NUT,LP NYLOCK,1/2-13.....4  | 4    |
| 12   |          | LEG ASSY. 24" W/HANDLE--2018--.....1<br><i>no longer available</i>    | 1    |
| 12   | 21158GT  | LEG TUBE W/PIN-24"HOIST/TOWER....3<br><i>All Legs Incl.Pt.#13-#16</i> | 3    |
| 12   | 21159GT  | LEG TUBE W/PIN-30"HOIST/TOWER....3                                    | 3    |
| 12   | 2229GT   | LEG ASSY. 24" W/HANDLE--2012--.....1                                  | 1    |
| 12   | 2230GT   | LEG ASSY. 30" W/HANDLE--2024--.....1                                  | 1    |
| 12   | 2454GT   | LEG ASSY 24" W/HAND. 2015/2115.....1                                  | 1    |
| 13   | 6271GT   | RIVET,STL,STL.MAN,P,.25 X .25.....4                                   | 4    |
| 14   | 2223GT   | LANYARD ASSY HOIST/AWP-7*** .....4                                    | 4    |
| 15   | 2238GT   | CABLE OVAL SLEEVE, 1/16.....8   | 8    |
| 16   | 11064GT  | PIN,BALL RET.-.25 X 2.5.....4   | 4    |

### Footnotes

**1:** Air Inlet configuration may vary on some units. Refer to specific unit before ordering.

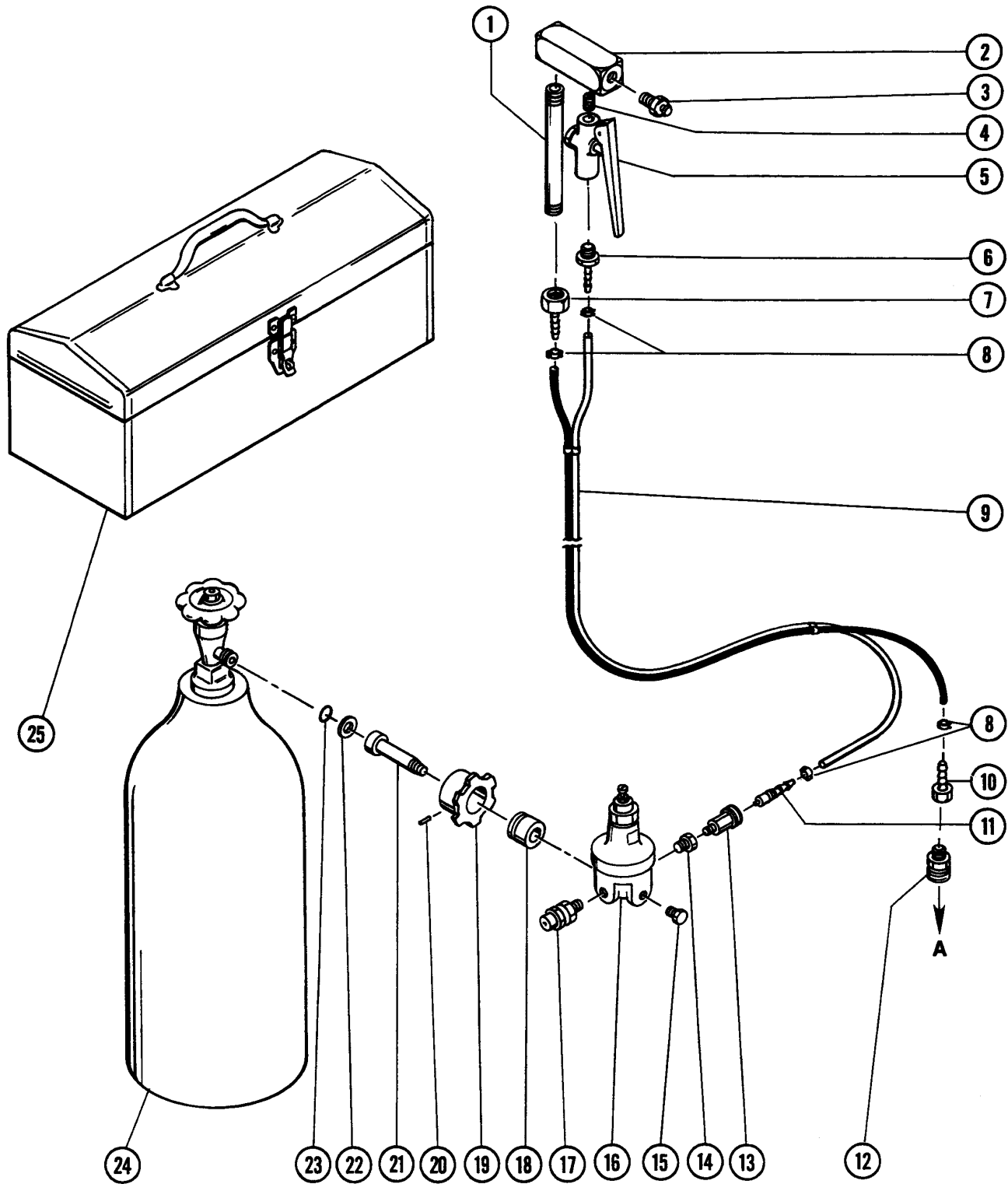
103.1 Cylinder Assembly



## 103.1 Cylinder Assembly

| Item | Part No. | Description  | Qty. | Item | Part No. | Description                          | Qty. |
|------|----------|--|------|------|----------|--------------------------------------|------|
| --   |          | CYLINDER ASSEMBLY-18 FT.<br><i>no longer available</i> |      | 32   | 2058GT   | RETAINER RING / 3".....              | 1    |
| --   | 23159GT  | SEAL KIT COMPLETE-HOIST                                |      | 33   | 2057GT   | FELT DUST SEAL / 3".....             | 1    |
| --   | 32228GT  | CYLINDER ASSY,3.8M,HOIST III                           |      | 34   | 2063GT   | O-RING, 2.25 X .210 <2-331>.....     | 1    |
| 1    |          | TUBE,RD,ALUM,DS 2 X .058.....                          | 1    | 35   | 2062AGT  | STRIP-#4 PISTON-8.5".....            | 1    |
|      |          | <i>no longer available</i>                             |      | 36   | 2064GT   | U-CUP, #33, 2.25 X .313 X .313.....  | 1    |
| 2    |          | TUBE ASSEMBLY-2018 6TH STAGE.....                      | 1    | 37   | 2048GT   | RETAINER RING / 3 1/4".....          | 1    |
|      |          | <i>no longer available</i>                             |      | 38   | 2047GT   | FELT DUST SEAL / 3 1/4".....         | 1    |
| 3    | 2092GT   | PISTON-7TH STAGE.....                                  | 1    | 39   | 2053GT   | O-RING, 2.5 X .210 <2-333>.....      | 1    |
| 4    |          | TUBE ASSEMBLY-2018 5TH STAGE.....                      | 1    | 40   | 2052AGT  | STRIP-#3 PISTON-9.5".....            | 1    |
|      |          | <i>no longer available</i>                             |      | 41   | 2054GT   | U-CUP, #35, 2.5 X .313 X .313.....   | 1    |
| 5    | 2082GT   | PISTON, 6TH STAGE.....                                 | 1    | 42   | 2038GT   | RETAINER RING - 3 5/8".....          | 1    |
| 6    |          | TUBE ASSEMBLY-2024 4TH STAGE.....                      | 1    | 43   | 2037GT   | FELT DUST SEAL / 3 5/8" %%.....      | 1    |
|      |          | <i>no longer available</i>                             |      | 44   | 2043GT   | O-RING, 2.75 X .210 <2-335>.....     | 1    |
| 7    | 2072GT   | PISTON, 5TH STAGE.....                                 | 1    | 45   | 2042AGT  | STRIP-#2 PISTON-10.063".....         | 1    |
| 8    |          | TUBE ASSEMBLY-2018 3RD STAGE.....                      | 1    | 46   | 2044GT   | U-CUP, #37, 2.625 X .375 X .375..... | 1    |
|      |          | <i>no longer available</i>                             |      | 47   | 2033GT   | O-RING, 3.125 X .125 <2-235>.....    | 1    |
| 9    | 2062GT   | PISTON 4TH STAGE.....                                  | 1    |      |          |                                      |      |
| 9    | 2257GT   | PISTON W/PLUG-15 FT. #4.....                           | 1    |      |          |                                      |      |
| 10   |          | TUBE ASSEMBLY-2012 2ND STAGE.....                      | 1    |      |          |                                      |      |
|      |          | <i>no longer available</i>                             |      |      |          |                                      |      |
| 11   | 2052GT   | PISTON, 3RD STAGE.....                                 | 1    |      |          |                                      |      |
| 12   |          | TUBE ASSEMBLY-2012 BASE.....                           | 1    |      |          |                                      |      |
|      |          | <i>no longer available</i>                             |      |      |          |                                      |      |
| 13   | 2003GT   | PISTON ASSY-2ND STAGE,GH.....                          | 1    |      |          |                                      |      |
|      |          | <i>Incl. Index #14,#15</i>                             |      |      |          |                                      |      |
| 14   | 2161GT   | PIN,COTTER,.063 X 1.....                               | 1    |      |          |                                      |      |
| 15   | 2049GT   | 7/16 / 11.11 MM BALL.....                              | 1    |      |          |                                      |      |
| 16   | 2009GT   | PISTON ASSY-BASE,GH.....                               | 1    |      |          |                                      |      |
| 17   | 2095GT   | SCREW,SET,HS 10-32 X.25.....                           | 5    |      |          |                                      |      |
| 17   | 2156GT   | SEAL KIT,7 STAGE HOIST-COMP.....                       | 5    |      |          |                                      |      |
|      |          | <i>Incl. Index #18-#47</i>                             |      |      |          |                                      |      |
| 18   | 2088GT   | RETAINER RING - 2 1/4".....                            | 1    |      |          |                                      |      |
| 19   | 2087GT   | FELT DUST SEAL / 2 1/4".....                           | 1    |      |          |                                      |      |
| 20   | 2092AGT  | STRIP-#7 PISTON-6.5".....                              | 1    |      |          |                                      |      |
| 21   | 2094GT   | U-CUP, #27 1.75 X .313 X .313.....                     | 1    |      |          |                                      |      |
| 22   | 2078GT   | RETAINER RING - 2 1/2".....                            | 1    |      |          |                                      |      |
| 23   | 2077GT   | FELT DUST SEAL / 2 1/2".....                           | 1    |      |          |                                      |      |
| 24   | 2083GT   | O-RING, 1.75 X .188 <2-327>.....                       | 1    |      |          |                                      |      |
| 25   | 2082AGT  | STRIP-#6 PISTON-7.188".....                            | 1    |      |          |                                      |      |
| 26   | 2084GT   | U-CUP,#29 1.875 X .313 X .313.....                     | 1    |      |          |                                      |      |
| 27   | 2068GT   | RETAINER RING - 2 3/4".....                            | 1    |      |          |                                      |      |
| 28   | 2067GT   | FELT DUST SEAL / 2 3/4".....                           | 1    |      |          |                                      |      |
| 29   | 2073GT   | O-RING, 2 X .210 <2-329>.....                          | 1    |      |          |                                      |      |
| 30   | 2072AGT  | STRIP-#5 PISTON-7.688".....                            | 1    |      |          |                                      |      |
| 31   | 2074GT   | U-CUP, #31, 2 X .313 X .313.....                       | 1    |      |          |                                      |      |

104.1 Pneumatic Power Assembly

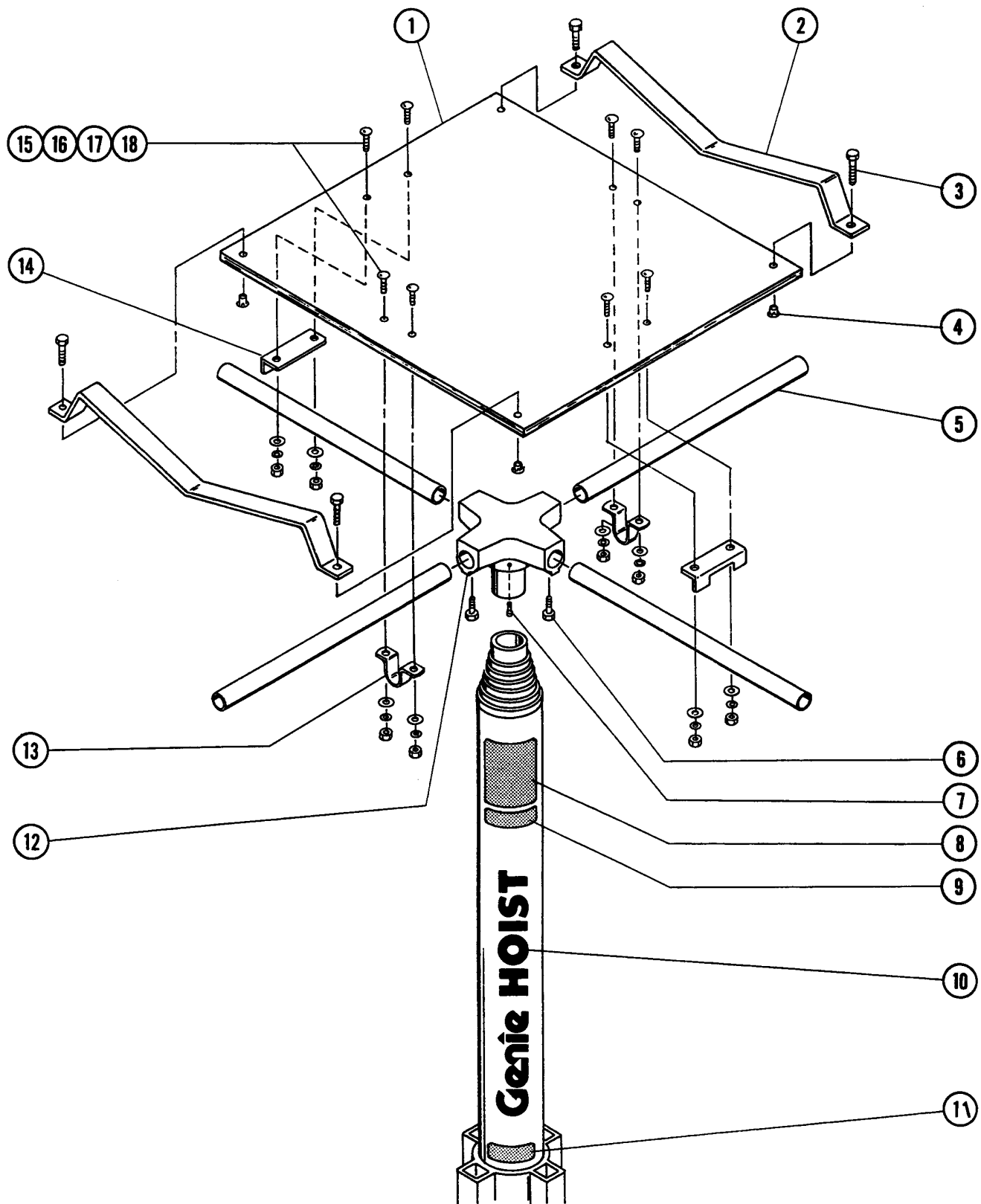




## 104.1 Pneumatic Power Assembly

| Item | Part No. | Description  | Qty. |
|------|----------|--|------|
| --   | 21101GT  | CONTROL HOSE ASSY-HOIST.....1<br><i>includes items 6-11</i>                      |      |
| --   | 2330GT   | HAND CONTROL<br>ASSEMBLY,COMPLETE.....1<br><i>includes items 1-5</i>             |      |
| --   | 2349GT   | HOSE & HAND CONTROL ASSEMBLY<br><i>includes items 1-11</i>                       |      |
| 1    | 2333GT   | NIPPLE,ST, 1/4 MPT X 4 1/2.....1   |      |
| 2    | 2332GT   | VALVE MANIFOLD.....1   |      |
| 3    | 2336GT   | DOWN BUTTON ASSEMBLY.....1   |      |
| 4    | 2155GT   | NIPPLE,CLOSE, ST, 1/4 MPT X 1.....1  |      |
| 5    | 2331GT   | CONTROL VALVE,A,1/4-1/4 FPT.....1  |      |
| 6    | 42338GT  | ADAPTER, 1/4NPT-M TO 3/16 BARB.....1   |      |
| 7    | 2453GT   | CONN,BR,SWIVEL,1/4FPT-3/16 HB.....1  |      |
| 8    | 2343GT   | HOSE CRIMP,5 O.D.....4   |      |
| 9    | 2168GT   | HOSE-3/16,RUBBER,DUAL<br>WELD-BUL.....192-inches                                 |      |
| 10   | 2347GT   | CONNECTOR,B,1/8 FPT 3/16 HS.....1  |      |
| 11   | 2346GT   | QUICK DISCON.PLUG 3/16 HS #189.....1   |      |
| 12   | 2167GT   | REGULATOR ASSY-METRIC,125 PSI....1<br><i>Metric; includes items 13-23</i>        |      |
| 12   | 2320GT   | REGULATOR ASSY-DOMESTIC<br>HOIST1.....1<br><i>Domestic; includes items 13-23</i> |      |
| 12   | 2322GT   | QUICK DISCONNECT SOCKET<br>W/VALV.....1  |      |
| 13   | 2322GT   | QUICK DISCONNECT SOCKET<br>W/VALV.....1  |      |
| --   | 2341GT   | QUICK DISCON. SOCKET W/O VALVE   |      |
| 14   | 2326GT   | BUSHING,130140-4-2.....1   |      |
| 15   | 2327GT   | PLUG,HEX HEAD,1/4 MPT BRASS.....1  |      |
| 16   |          | Pressure Regulator.....1   |      |
| 17   | 2328GT   | VALVE,PRESSURE RELEASE, 1/4".....1   |      |
| 18   | 2324GT   | NUT,CO2 CONNECTOR,DOMESTIC.....1<br><i>Domestic</i>                              |      |
| 18   | 2329GT   | NUT CO2<br>CONNECTOR,EUROPE/JAPAN.....1<br><i>Metric</i>                         |      |
| 19   | 2325GT   | HAND WRENCH CASTING.....1  |      |
| 20   | 2095GT   | SCREW,SET,HS 10-32 X.25.....1  |      |
| 21   | 2323GT   | CONN.,INLET STEM,B.**.....1  |      |
| 22   | 2371GT   | O-RING RETAINER RING.....1   |      |
| 23   | 2370GT   | O-RING,.375 X .125.....1   |      |
| 24   | 2373-SGT | CO2 TANK W/CARTON,20LB EMPTY.....1   |      |
| --   | 33738GT  | HANDLE GUARD,CO2 TANK-LUXFER   |      |
| --   | 33739GT  | HANDLE GUARD,CO2TANK-CATALINA  |      |
| 25   | 2350GT   | TOOL BOX.....1   |      |

105.1 Load Platform Assembly



## 105.1 Load Platform Assembly

| Item | Part No. | Description  | Qty. |
|------|----------|--|------|
| 1    | 2353GT   | PLYWOOD LOAD PLATFORM-HOIST....1                           |      |
| --   | 2352GT   | M SERIES PLATFORM ASSEMBLY                                 |      |
| 2    | 80598GT  | PIPE CRADLE, GRAY HOIST.....2                              |      |
| 3    | 6888GT   | SCREW,HHC,1/4-20 X 1.....4                                 |      |
| 4    | 11652GT  | NUT,WOOD,1/4-20.....4                                      |      |
| 5    | 2351GT   | PIPE-HOIST PLAT.SUPPT-18"GRIND....4                        |      |
| 6    | 6175GT   | SCREW,HHC,3/8-16 X 1.....4                                 |      |
| 7    | 6066GT   | SCREW,RHM,10-32 X .38.....3                                |      |
| 8    | 2272GT   | DECAL,HOIST "NO RIDERS".....1                              |      |
| 9    | 2275GT   | DECAL,GT,GH,"350 MAX LOAD.....1                            |      |
| 9    | 2276GT   | DECAL,500 LB MAX LOAD.....1                                |      |
| 10   | 2101GT   | DECAL,GENIE HOIST.....1                                    |      |
| 11   | 2098GT   | DECAL,DOWN SPEED.....1                                     |      |
| 12   |          | HEAD CASTING.....1<br><i>component no longer available</i> |      |
| 12   | 2231GT   | HEAD CASTING,GT/GH--DRILLED--.....1                        |      |
| 13   | 2354GT   | PLAT. CLAMP / #10726-S.....2                               |      |
| 14   | 18870GT  | UNDER TABLE BRACKET.....2                                  |      |
| 15   | 9116GT   | BOLT,CARRIAGE,1/4-20x1.25,G2.....8                         |      |
| 16   | 6638GT   | WASHER,FLAT,USS,1/4"Y.....8                                |      |
| 17   | 6356GT   | WASHER,LOCK,.25.....8                                      |      |
| 18   | 6357GT   | NUT,HEX,1/4-20.....8                                       |      |

## Part Number Index

The Part Number Index is a numeric index of all part numbers included in this manual. The index shows what page(s) the part is used on.

| Part Number | Page   | Part Number | Page |
|-------------|--------|-------------|------|
| 11064GT     | 13     | 2320GT      | 17   |
| 11652GT     | 19     | 2322GT      | 17   |
| 18870GT     | 19     | 2323GT      | 17   |
| 2003GT      | 15     | 2324GT      | 17   |
| 2009GT      | 15     | 2325GT      | 17   |
| 2033GT      | 15     | 2326GT      | 17   |
| 2037GT      | 15     | 2327GT      | 17   |
| 2038GT      | 15     | 2328GT      | 17   |
| 2042AGT     | 15     | 2329GT      | 17   |
| 2043GT      | 15     | 2330GT      | 17   |
| 2044GT      | 15     | 2331GT      | 17   |
| 2047GT      | 15     | 2332GT      | 17   |
| 2048GT      | 15     | 2333GT      | 17   |
| 2049GT      | 15     | 2336GT      | 17   |
| 20515GT     | 13     | 2341GT      | 17   |
| 20516GT     | 13     | 2343GT      | 17   |
| 2052AGT     | 15     | 2346GT      | 17   |
| 2052GT      | 15     | 2347GT      | 17   |
| 2053GT      | 15     | 2349GT      | 17   |
| 2054GT      | 15     | 2350GT      | 17   |
| 2057GT      | 15     | 2351GT      | 19   |
| 2058GT      | 15     | 2352GT      | 19   |
| 2062AGT     | 15     | 2353GT      | 19   |
| 2062GT      | 15     | 2354GT      | 19   |
| 2063GT      | 15     | 2370GT      | 17   |
| 2064GT      | 15     | 2371GT      | 17   |
| 2067GT      | 15     | 2373-SGT    | 17   |
| 2068GT      | 15     | 2453GT      | 17   |
| 2072AGT     | 15     | 2454GT      | 13   |
| 2072GT      | 15     | 32228GT     | 15   |
| 2073GT      | 15     | 33738GT     | 17   |
| 2074GT      | 15     | 33739GT     | 17   |
| 2077GT      | 15     | 42338GT     | 17   |
| 2078GT      | 15     | 6066GT      | 19   |
| 2082AGT     | 15     | 6086GT      | 13   |
| 2082GT      | 15     | 6175GT      | 19   |
| 2083GT      | 15     | 6271GT      | 13   |
| 2084GT      | 15     | 6356GT      | 19   |
| 2087GT      | 15     | 6357GT      | 19   |
| 2088GT      | 15     | 6638GT      | 19   |
| 2092AGT     | 15     | 6642GT      | 13   |
| 2092GT      | 15     | 6888GT      | 19   |
| 2094GT      | 15     | 80598GT     | 19   |
| 2095GT      | 15, 17 | 9116GT      | 19   |
| 2098GT      | 19     |             |      |
| 2101GT      | 19     |             |      |
| 21101GT     | 17     |             |      |
| 21158GT     | 13     |             |      |
| 21159GT     | 13     |             |      |
| 2155GT      | 17     |             |      |
| 2156GT      | 11, 15 |             |      |
| 2161GT      | 15     |             |      |
| 2167GT      | 17     |             |      |
| 2168GT      | 17     |             |      |
| 2174GT      | 13     |             |      |
| 2181GT      | 13     |             |      |
| 2184GT      | 13     |             |      |
| 2204GT      | 13     |             |      |
| 2205GT      | 13     |             |      |
| 2211GT      | 13     |             |      |
| 2221GT      | 13     |             |      |
| 2223GT      | 13     |             |      |
| 2229GT      | 13     |             |      |
| 2230GT      | 13     |             |      |
| 2231GT      | 19     |             |      |
| 2238GT      | 13     |             |      |
| 2257GT      | 15     |             |      |
| 2272GT      | 19     |             |      |
| 2275GT      | 19     |             |      |
| 2276GT      | 19     |             |      |
| 2310GT      | 13     |             |      |
| 2313GT      | 13     |             |      |
| 2314GT      | 13     |             |      |
| 23159GT     | 15     |             |      |
| 2316GT      | 13     |             |      |

The Part Description Index is an alphabetical index of all part descriptions included in this manual. The index shows what page(s) the part is used on.

- 7**  
7/16 / 11.11 MM BALL.....15
- A**  
ADAPTER, 1/4NPT-M TO 3/16 BARB.....17
- B**  
Base Assembly Refer to 201.1.....11  
BASE CASTING-TOWER/HOIST,DRILL.....13  
BOLT,CARRIAGE,1/4-20x1.25,G2.....19  
BUSHING,130140-4-2.....17
- C**  
CABLE OVAL SLEEVE, 1/16.....13  
CASTER, POST SW W/SB 6 X 1.375.....13  
CLAMP SET(PAIR)20LB CO2 TANK%%.....13  
CLAMP SET-(PAIR),\*JAPAN\* CO2.....13  
CLAMP SET-(PAIR),10LB CO2 TANK.....13  
CO2 TANK MT.BRKT.WELD.-(EURO).....13  
CO2 TANK MT.BRKT.WELD.-(JAPAN).....13  
CO2 TANK W/CARTON,20LB EMPTY.....17  
CONN,BR,SWIVEL,1/4FPT-3/16 HB.....17  
CONN.,INLET STEM,B.\*\*.....17  
CONNECTOR,B,1/8 FPT 3/16 HS.....17  
CONTROL HOSE ASSY-HOIST.....17  
CONTROL VALVE,A,1/4-1/4 FPT.....17  
COUPLING,130138-4-2.....13  
Cylinder Assembly Refer to 301.1.....11  
CYLINDER ASSEMBLY-18 FT.....15  
CYLINDER ASSY,3.8M,HOIST III.....15
- D**  
DECAL,500 LB MAX LOAD.....19  
DECAL,DOWN SPEED.....19  
DECAL,GENIE HOIST.....19  
DECAL,GT,GH,"350 MAX LOAD.....19  
DECAL,HOIST "NO RIDERS".....19  
DOWN BUTTON ASSEMBLY.....17
- E**  
ELBOW,130238-4-4.....13  
ELBOW,130239-4-4.....13
- F**  
FELT DUST SEAL / 2 1/2".....15  
FELT DUST SEAL / 2 1/4".....15  
FELT DUST SEAL / 2 3/4".....15  
FELT DUST SEAL / 3 1/4".....15  
FELT DUST SEAL / 3 5/8" %%.....15  
FELT DUST SEAL / 3".....15
- H**  
H A N D C O N T R O L  
ASSEMBLY,COMPLETE.....17  
HAND WRENCH CASTING.....17  
HANDLE GUARD,CO2 TANK-LUXFER.....17  
HANDLE GUARD,CO2TANK-CATALINA.....17  
HEAD CASTING.....19  
HEAD CASTING,GT/GH--DRILLED--.....19  
HOSE & HAND CONTROL ASSEMBLY.....17  
HOSE CRIMP,5 O.D.....17  
HOSE-3/16,RUBBER,DUAL WELD-BUL.....17
- L**  
LANYARD ASSY HOIST/AWP-7\*\*\*.....13  
LEG ASSY 24" W/HAND. 2015/2115.....13  
LEG ASSY. 24" W/HANDLE--2012--.....13  
LEG ASSY. 24" W/HANDLE--2018--.....13  
LEG ASSY. 30" W/HANDLE--2024--.....13  
LEG TUBE W/PIN-24"HOIST/TOWER.....13  
LEG TUBE W/PIN-30"HOIST/TOWER.....13  
Load Platform Assembly Refer to 501.1.....11
- M**  
M SERIES PLATFORM ASSEMBLY.....19  
MOUNTING BRKT.ASSY-DOMES.CO2.....13
- N**  
NIPPLE,1/4 MPT X 1.5",BRASS.....13  
NIPPLE,CLOSE, ST, 1/4 MPT X 1.....17  
NIPPLE,ST, 1/4 MPT X 4 1/2.....17  
NUT CO2 CONNECTOR,EUROPE/JAPAN.....17  
NUT,CO2 CONNECTOR,DOMESTIC.....17  
NUT,HEX,1/4-20.....19  
NUT,LP NYLOCK,1/2-13.....13  
NUT,WOOD,1/4-20.....19
- O**  
O-RING RETAINER RING.....17  
O-RING, 1.75 X .188 <2-327>.....15  
O-RING, 2 X .210 <2-329>.....15  
O-RING, 2.25 X .210 <2-331>.....15  
O-RING, 2.5 X .210 <2-333>.....15  
O-RING, 2.75 X .210 <2-335>.....15  
O-RING, 3.125 X .125 <2-235>.....15  
O-RING,.375 X .125.....17
- P**  
PIN,BALL RET.-.25 X 2.5.....13  
PIN,COTTER,.063 X 1.....15  
PIPE CRADLE, GRAY HOIST.....19  
PIPE-HOIST PLAT.SUPPT-18"GRIND.....19  
PISTON 4TH STAGE.....15  
PISTON ASSY-2ND STAGE,GH.....15  
PISTON ASSY-BASE,GH.....15  
PISTON W/PLUG-15 FT. #4.....15  
PISTON, 3RD STAGE.....15  
PISTON, 5TH STAGE.....15  
PISTON, 6TH STAGE.....15  
PISTON-7TH STAGE.....15  
PLAT. CLAMP / #10726-S.....19  
PLUG,HEX HEAD,1/4 MPT BRASS.....17  
PLYWOOD LOAD PLATFORM-HOIST.....19  
Pneumatic Power Assembly Refer to 401.1...11  
Pressure Regulator.....17
- Q**  
QUICK DISCON. SOCKET W/O VALVE.....17  
QUICK DISCON.PLUG 3/16 HS #189.....17  
QUICK DISCONNECT PLUG/#185.....13  
QUICK DISCONNECT SOCKET W/VALV.....17
- R**  
REGULATOR ASSY-DOMESTIC HOIST1.....17  
REGULATOR ASSY-METRIC,125 PSI.....17
- RETAINER RING - 2 1/2".....15  
RETAINER RING - 2 1/4".....15  
RETAINER RING - 2 3/4".....15  
RETAINER RING - 3 5/8".....15  
RETAINER RING / 3 1/4".....15  
RETAINER RING / 3".....15  
RIVET,STL,STL.MAN,P,.25 X .25.....13
- S**  
SCREW,HHC,1/4-20 X 1.....19  
SCREW,HHC,3/8-16 X 1.....19  
SCREW,RHM,10-32 X .38.....19  
SCREW,SET,HS 10-32 X.25.....15, 17  
SEAL KIT COMPLETE-HOIST.....15  
SEAL KIT,7 STAGE HOIST-COMP.....11, 15  
STRIP-#2 PISTON-10.063".....15  
STRIP-#3 PISTON-9.5".....15  
STRIP-#4 PISTON-8.5".....15  
STRIP-#5 PISTON-7.688".....15  
STRIP-#6 PISTON-7.188".....15  
STRIP-#7 PISTON-6.5".....15
- T**  
TOOL BOX.....17  
TUBE ASSEMBLY-2012 2ND STAGE.....15  
TUBE ASSEMBLY-2012 BASE.....15  
TUBE ASSEMBLY-2018 3RD STAGE.....15  
TUBE ASSEMBLY-2018 5TH STAGE.....15  
TUBE ASSEMBLY-2018 6TH STAGE.....15  
TUBE ASSEMBLY-2024 4TH STAGE.....15  
TUBE,RD,ALUM,DS 2 X .058.....15
- U**  
U-CUP, #27 1.75 X .313 X .313.....15  
U-CUP, #31, 2 X .313 X .313.....15  
U-CUP, #33, 2.25 X .313 X .313.....15  
U-CUP, #35, 2.5 X .313 X .313.....15  
U-CUP, #37, 2.625 X .375 X.375.....15  
U-CUP,#29 1.875 X .313 X .313.....15  
UNDER TABLE BRACKET.....19
- V**  
VALVE MANIFOLD.....17  
VALVE,PRESSURE RELEASE, 1/4".....17  
VALVE,QUICK EXHAUST ( HOIST ).....13
- W**  
WASHER,FLAT,USS,1/4"Y.....19  
WASHER,LOCK,.25.....19

***This Page Intentionally Left Blank***

California Proposition 65



**WARNING**

Operating, servicing and maintaining this equipment can expose you to chemicals including engine exhaust, carbon monoxide, phthalates, and lead, which are known to the State of California to cause cancer and birth defects or other reproductive harm. These chemicals can be emitted from or contained in other various parts and systems, fluids and some component wear by-products. To minimize exposure, avoid breathing exhaust, do not idle the engine except as necessary, service your equipment and vehicle in a well-ventilated area and wear gloves or wash your hands frequently when servicing your equipment or vehicle and after operation. For more information go to [www.P65Warnings.ca.gov/passenger-vehicle](http://www.P65Warnings.ca.gov/passenger-vehicle).

# Parts Manual

Genie Hoist

*from SN 0284-8130 to 0290-19110*

Part No.  
20942

Rev A22

**Genie**  
A TEREX BRAND