



A TEREX BRAND

# *Parts Manual*

Serial Number Range

## *Super Tower*

from SN 7794-101 to 7702-1600

from SN ST02-1601 to  
ST16-4786

from SN STG-4787 to STG-7025

from SN STP-7026

Part No. 115412

Rev C13

November 2018

---

## Technical Publications

Genie has endeavored to deliver the highest degree of accuracy possible. However, continuous improvement of our products is a Genie policy. Therefore, product specifications are subject to change without notice.

Readers are encouraged to notify Genie of errors and send in suggestions for improvement. All communications will be carefully considered for future printings of this and all other manuals.

---

## Contact Us:

Internet: [www.genielift.com](http://www.genielift.com)  
e-mail: [awp.techpub@terex.com](mailto:awp.techpub@terex.com)

---

## Find a Manual for this Model


Go to <http://www.genielift.com>

Use the links to locate Operator's, Parts, Maintenance, and Service and Repair Manuals.

Copyright © 2011 by Terex Corporation

115412 Rev C April 2016  
Second Edition, Third Printing

"Genie is a registered trademark of Terex South Dakota, Inc. in the USA and many other countries. "ST" is a trademark of Terex South Dakota, Inc.

 Printed on recycled paper

To August 31, 2016

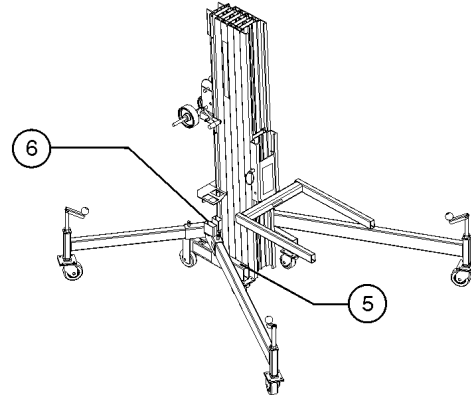
**Genie**  
A TEREX BRAND

**Model:**  
**Serial number:** ST16G -12345  
**Manufacture date:** 1/2/16  
**Electrical schematic number:**  
**Machine unladen weight:**  
**Rated work load (including occupants):**  
**Maximum number of platform occupants:**  
**Maximum allowable side force:**  
**Maximum allowable inclination of the chassis:**

**Model year:** 2016

ST 16 G - 12345

1 2 3 4



- 1 Model
- 2 Model year
- 3 Facility code

- 4 Sequence number
- 5 Serial number (stamped on base)
- 6 Serial label (located on base)

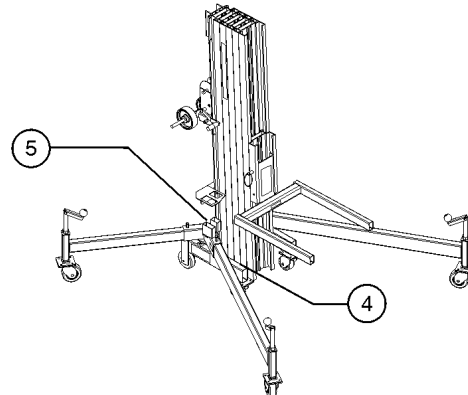
From September 1, 2016

**Genie**  
A TEREX BRAND

**Model:**  
**Serial number:** STG -12345  
**Year of manufacture:** 2016  
**Electrical schematic number:**  
**Machine unladen weight:**  
**Rated work load (including occupants):**  
**Maximum number of platform occupants:**  
**Maximum allowable side force:**  
**Maximum allowable inclination of the chassis:**

ST G - 12345

1 2 3



- 1 Model
- 2 Facility code
- 3 Sequence number

- 4 Serial number (stamped on base)
- 5 Serial label (located on base)

## Table of Contents

This manual is updated frequently. If you have a printed manual, you can keep it up to date by downloading new figures from the Genie website at [www.genielift.com](http://www.genielift.com). For the most up-to-date parts information, visit the Parts Lookup System on the Genie website at [www.genielift.com](http://www.genielift.com).

How to Read Your Serial Number.....	3
Parts Stocking List.....	7
How to Order Parts.....	8
Service Parts Fax Order Form.....	9

### **Electronic Version**

Click on any page number to view the figure.

### **100 Decals**

101.1 Decals with Words (to SN ST04-2403).....	10
101.2 Decals with Words (from SN ST04-2404).....	12
102.1 Decals with Symbols.....	14

### **200 Base Components**

201.1 Base Components.....	16
----------------------------	----

### **300 Mast and Winch Components**

301.1 Number 1 Mast Attached Parts.....	18
301.1 Number 1 Mast Attached Parts.....	20
302.1 Mast Components, View 1.....	22
303.1 Mast Components, View 2.....	24
304.1 Mast Components, Pulleys and Cables (to SN ST15-4740).....	26
304.2 Mast Components, Pulleys and Cables (from SN ST15-4741).....	28
305.1 Winch Components, One-speed.....	30
306.1 Winch Components, Two-speed.....	32

### **400 Accessories**

401.1 Adjustable Forks.....	34
-----------------------------	----

### **Indices**

Part Number Index.....	36
Part Description Index.....	37

### **Cross References**

***This Page Intentionally Left Blank***



## Required Parts

The following parts are required to perform maintenance procedures as outlined in the Genie Super Tower Service Manual.

Description	Part No.
White Lithium Grease .....	91670
Cable Replacement Coupler .....	12402
Disc Brake (One-Speed Winch) .....	7571
Disc Brake (Two-Speed Winch).....	37061

## Recommended Parts

Description	Part No.
Genie Blue Paint, 1 Gallon (3.78 liters) .....	32150
Genie Blue Paint, 12 Ounce Aerosol (355 ml).....	1484
Genie Gray Paint, 1 Gallon (3.78 liters).....	32151
Genie Gray Paint, 12 Ounce Aerosol (355 ml) .....	1268
Pinion Plate (One-Speed Winch).....	7591
Pinion Plate (Two-Speed Winch).....	40122
Ratchet Gear (One-Speed Winch) .....	6777
Ratchet Gear (Two-Speed Winch).....	40121
Pinion Gear (One-Speed Winch).....	7590
Pinion Gear (Two-Speed Winch) .....	80157
Pinion Shaft (One-Speed Winch) .....	32891
Ratchet Pawl Kit (One-Speed Winch) .....	40458
Ratchet Pawl Kit (Two-Speed Winch).....	40117
Cable Keeper Kit (One-Speed Winch).....	6190
Cable Keeper Kit (Two-Speed Winch).....	40130
Primary Shaft Assembly .....	72264
Pin Assembly with Lanyard .....	32940
Roller Bolt, 1/2-13 x 1.84 inches.....	32475
Nylatron Roller, 1.75 x 0.72 inch.....	32473
Safety Brake Assembly .....	35101
Safety Brake Tool Assembly.....	33875
Loctite Thread Lock .....	65764
Genie Superlift Cabling Procedure Video.....	52701

## Manuals

Genie Industries offers the following support documents for these models:

Title	Part No.
EMI Safety Manual .....	27581
Manual of Responsibilities ANSI A92.5 .....	31587

## How To Order Parts

### How to Order Parts

Please be prepared with the following information when ordering replacement parts for your Terex or Genie product.

- Machine model number
- Machine serial number
- Part number
- Part description and quantity
- Purchase order number
- "Ship to" address
- Desired method of shipment
- Name and telephone number of the authorized distributor in your area.

Use the Service Parts Fax Order Form on the next page and fax your order to our Parts Department.

If you don't know the name of your authorized distributor, or if your area is not currently serviced by an authorized distributor, please call Terex or Genie Industries.

### Machine Information

\_\_\_\_\_

Model

\_\_\_\_\_

Serial Number

\_\_\_\_\_

Date of Purchase

\_\_\_\_\_

Authorized Genie Distributor

\_\_\_\_\_

Phone Number

#### North America

Telephone (425)881-1800  
 Toll Free (800)536-1800 in US and Canada  
 Fax (425)556-8659  
 Toll Free fax (888)274-6192  
 Email [AWP.PartsSalesPO@terex.com](mailto:AWP.PartsSalesPO@terex.com)  
<http://genielift.com/en>

#### EMEAR (Europe, Middle East, Africa and Russia)

Telephone (31)(165)519 313  
 Fax (31)(165)511 148  
<http://genielift.co.uk>

#### Asia Pacific (Genie Singapore)

Telephone +65 6692 7777  
 Fax +65 6261 8893  
<http://genielift.com.sg/>

#### Australia

Telephone (61)(7)3456 4444  
 Fax (61)(7)3456 4466  
<http://genielift.com.au>

#### South America

Telephone (55)(11)4082 5600  
 Fax (55)(11)4082 5630



**Service Parts Fax Order Form**

Fax to: (425) 556-8659 or Toll Free: 888-274-6192  
International: +1-425-556-8659



**Please fill out completely**

Date \_\_\_\_\_ Account Number \_\_\_\_\_

Your Name \_\_\_\_\_ Your Fax Number \_\_\_\_\_

\_\_\_\_\_ Your Phone Number \_\_\_\_\_

Bill To \_\_\_\_\_ Ship To \_\_\_\_\_

\_\_\_\_\_

\_\_\_\_\_

Purchase Order Number \_\_\_\_\_ Ship Via \_\_\_\_\_

**Model(s)** \_\_\_\_\_ **Serial No.(s)** \_\_\_\_\_

**Optional Equipment** \_\_\_\_\_

Part Number	Description	Quantity	Price

**All back-ordered parts will be shipped when available via the same ship method as the original order unless Noted below:**

- Ship complete order only - No back orders
- Ship all available parts and contact customer on disposition of back-ordered parts
- Other (please specify)



101.1 Decals with Words (to SN ST04-2403)

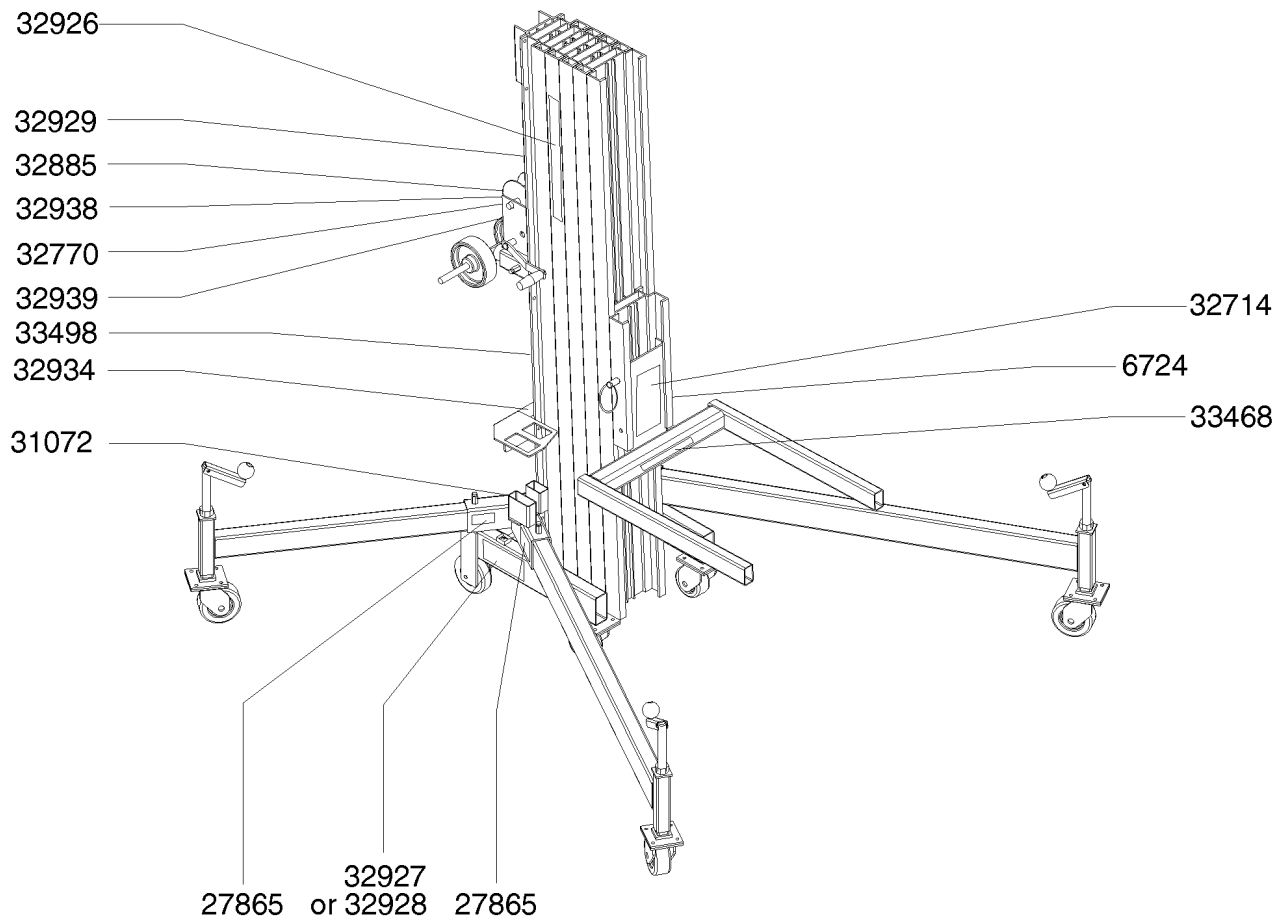
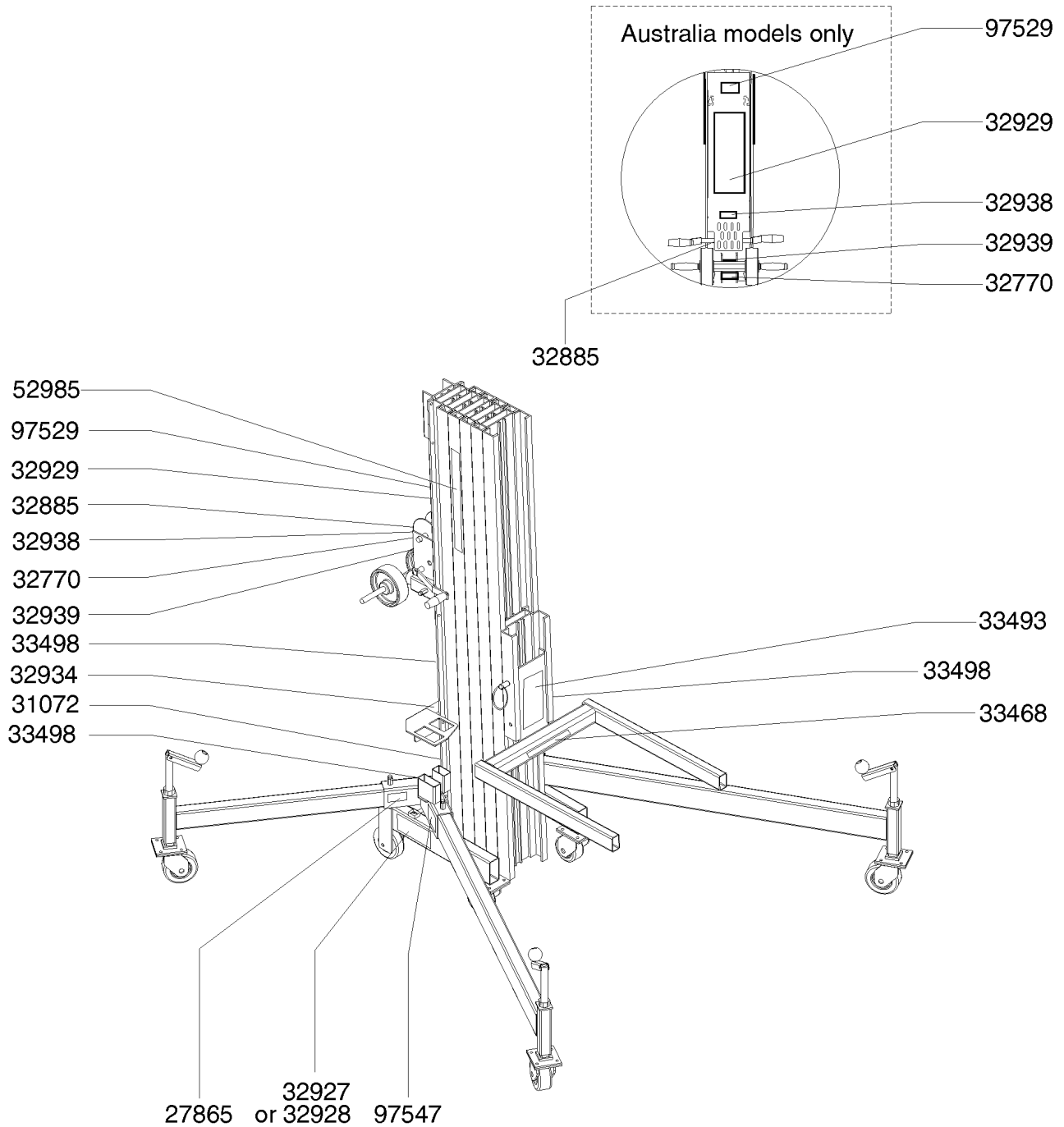


Figure 101.1  
Decals with Words

## 101.1 Decals with Words (to SN ST04-2403)

Item	Part No.	Description	Qty.
1	31075GT	DECAL,CAUTION,CRUSHING HAZARD.....	1
2	32934GT	DECAL,OUTRIGGER STORAGE,ST2....	1
3	33498GT	SERIAL NUMBER PLAT,SUPERTOWER* .....	1
4	32939GT	DECAL,CRUSHING HAZ/BRAKE LOCK.....	1
5	32770GT	DECAL,2 SPD.WINCH** .....	1
6	32938GT	DECAL,LABEL,WINCH ONLY .....	1
7	32885GT	DECAL,SILENT WINCH.....	1
8	32929GT	DECAL,OPERATING INSTRUCT,ST2....	1
9	32926GT	DECAL,COSMETIC,"SUPERTOWER"....	2
10	32714GT	DECAL,WARNING ADJ FORK SETUP...1	1
11	6724GT	DECAL,SERIAL# & MODEL# *** .....	1
12	33468GT	DECAL,WARNING,NO RIDERS.....	1
13	27865GT	DECAL,BUBBLE LEVEL*** .....	1
14	32927GT	DECAL,MODEL HEIGHT ST20.....	2
15	32928GT	DECAL,MODEL HEIGHT,ST25.....	2

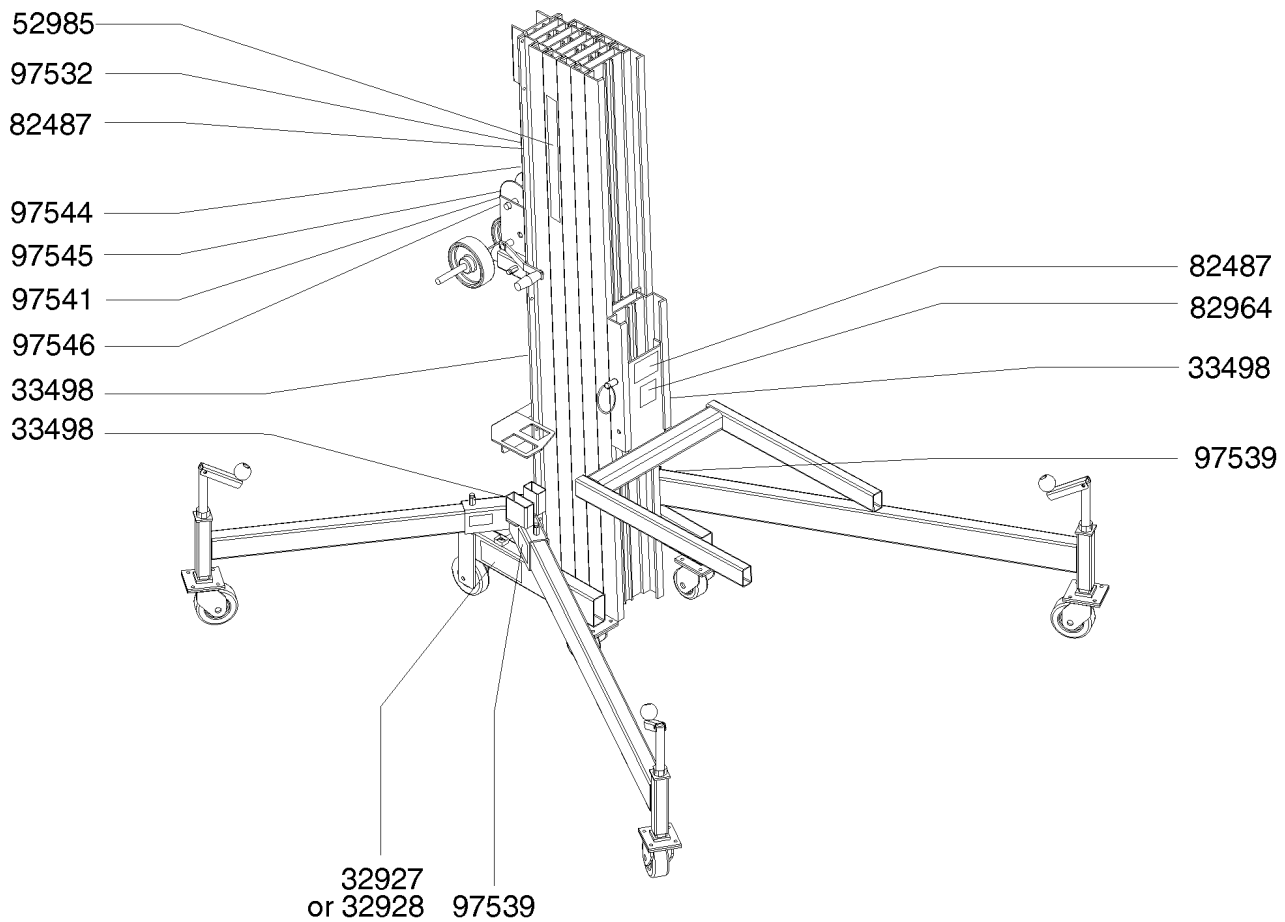
101.2 Decals with Words (from SN ST04-2404)



## 101.2 Decals with Words (from SN ST04-2404)

Item	Part No.	Description	Qty.
1	27865GT	DECAL,BUBBLE LEVEL***.....	1
2	31072GT	DECAL,LABEL,OPER.MAN.STORAGE..	1
3	32770GT	DECAL,2 SPD.WINCH**.....	1
4	32885GT	DECAL,SILENT WINCH.....	1
5	32927GT	DECAL,MODEL HEIGHT ST20.....	2
6	32928GT	DECAL,MODEL HEIGHT,ST25.....	2
7	32929GT	DECAL,OPERATING INSTRUCT,ST2....	1
8	32938GT	DECAL,LABEL,WINCH ONLY.....	1
9	32939GT	DECAL,CRUSHING HAZ/BRAKE LOCK.....	1
10	33493GT	DECAL,WARNING,ADJ FORK SAFETY.....	1
11	33468GT	DECAL,WARNING,NO RIDERS.....	1
12	33498GT	SERIAL NUMBER PLAT,SUPERTOWER*.....	2
13	32934GT	DECAL,OUTRIGGER STORAGE,ST2....	1
14	52985GT	DECAL,CSMTC,GENIE SUPERTOWER.....	2
15	97547GT	DECAL,DANGER,ELEC.HAZ.....	2
16	97529GT	DECAL,CAUTION,MOVING PARTS.....	1

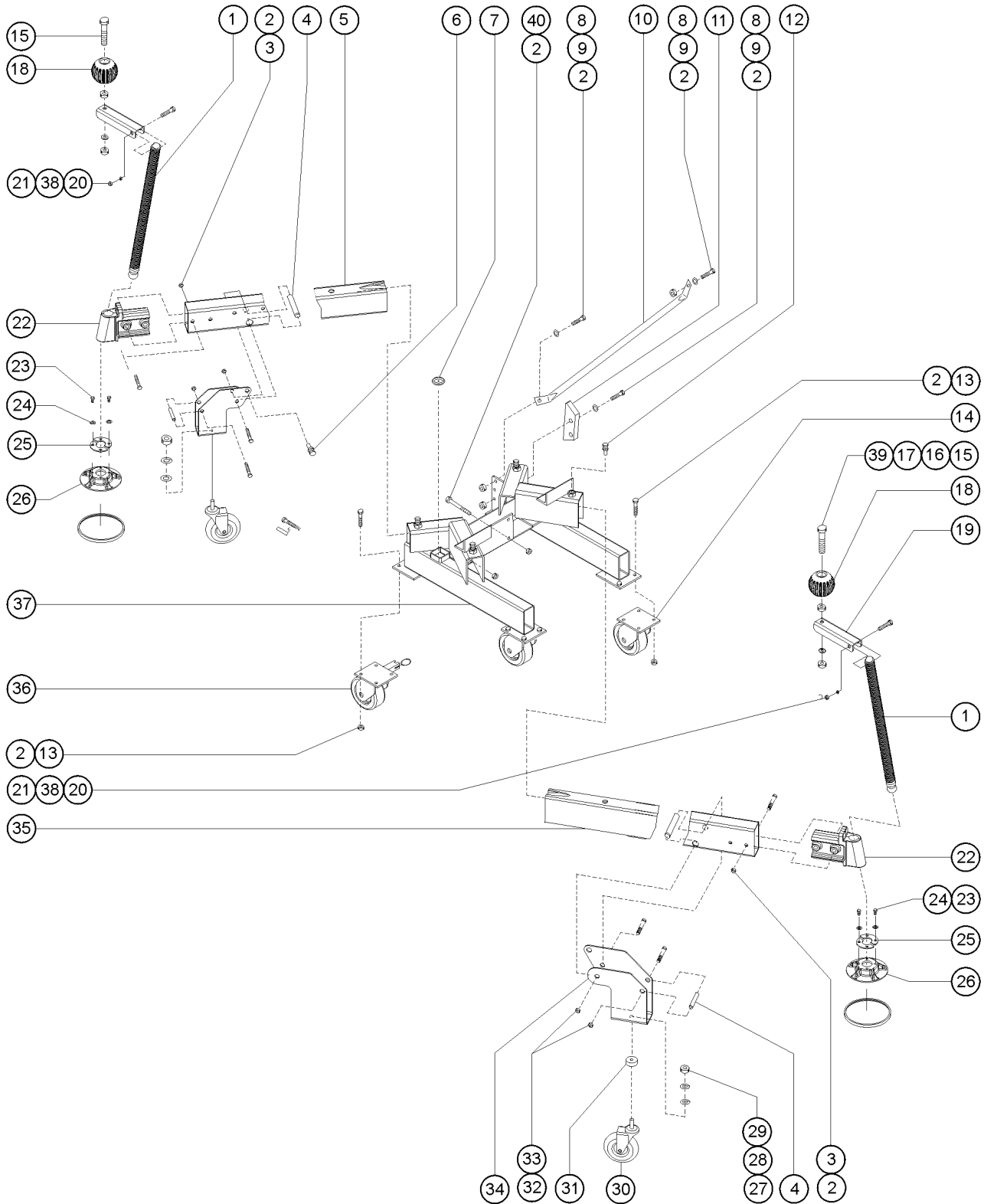
102.1 Decals with Symbols



## 102.1 Decals with Symbols

Item	Part No.	Description	Qty.
1	32927GT	DECAL,MODEL HEIGHT ST20.....	2
2	32928GT	DECAL,MODEL HEIGHT,ST25.....	2
3	33498GT	SERIAL NUMBER PLAT,SUPERTOWER*.....	3
		<i>to SN ST03-2023</i>	
3A	80939GT	SERIAL # LABEL,MAT LIFT & SS**.....	1
		<i>from SN ST03-2024</i>	
4	52985GT	DECAL,CSMTC,GENIE SUPERTOWER.....	2
5	82487GT	DECAL, SYMBOL - READ THE MANUAL.....	2
6	82964GT	DECAL,WARNING,NO RIDERS SYMB...	1
7	97532GT	DECAL,CAUTION,MOVING PARTS SYM.....	1
8	97539GT	DECAL,DANGER,ELEC.HAZ.....	2
9	97541GT	DECAL,LABEL,WINCH ONLY SYMB.....	1
10	97544GT	DECAL,LABEL,LOAD CNTR CHAR,ST..	1
11	97545GT	DECAL,WARNING,BRAKE LOCK SYMB.....	1
12	97546GT	DECAL,2 SPD.WINCH SYMB.....	1

201.1 Base Components



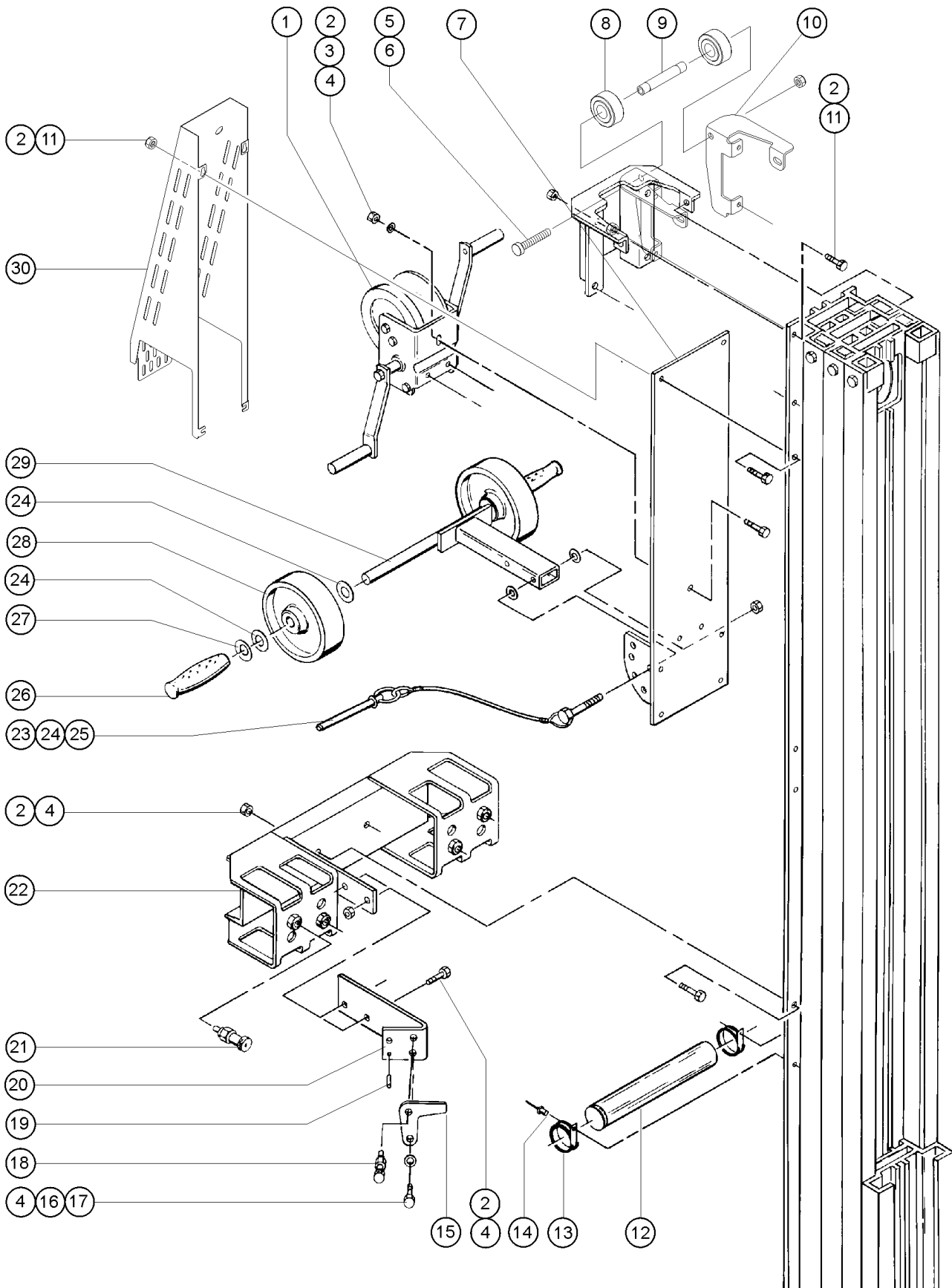


201.1 Base Components

Item	Part No.	Description	Qty.	Item	Part No.	Description	Qty.
--	124511GT	LEVELING JACK ASSEMBLY,ST <i>(includes items 1, and 15-26)</i>		25G	49377GT	SCREW,HHC,M6 X 40.....1 <i>(from SN ST08-3570)</i>	1
1	109689GT	LEVELING ROD.....4 <i>(from SN ST08-3570)</i>	4	25H	6356GT	WASHER,LOCK,.25.....4 <i>(from SN ST08-3570)</i>	4
2	4828GT	NUT,NYLOCK,3/8-16		25J	124792GT	WASHER,LOCK SPLIT,6MM,11.8MM.....4 <i>(from SN ST08-3570)</i>	4
3	8178GT	SCREW,HHC,3/8-16 X 2.5		26B	124163GT	FOOTPAD SERVICE KIT <i>(includes items 1 and 23-26) (to SN ST08-3569)</i>	
4	32576GT	PIVOT TUBE,STABILIZER.....8	8	27	6034GT	NUT,HEX,JAM,1/2-13	
5	32971GT	OUTRIGGER ASSY,ST,REAR.....2 <i>(complete)</i>	2	28	6033GT	WASHER,LOCK,0.5"	
--	33152-SGT	TUBE,OUTRIGGER REAR GRAY		29	6095GT	WASHER,FLAT,USS,1/2",Y	
6	6825GT	PIN,OUTRIGGER LOCK.....4	4	30	57748GT	CASTER,POST, SW, 5X1.25,1/2***.....4	4
7	6714GT	LEVEL,BUBBLE.....1	1	31	33781GT	SPACER,OUTRIGGER ST II.....2	2
8	8516GT	SCREW, HCC, 3/8-16 X 1.50		32	6198GT	NUT,NYLOCK,1/2-13	
9	6097GT	WASHER,FLAT,USS,3/8",Y		33	10598GT	SCREW,HHC,1/2-13 X 3	
10	33307GT	STRUT,RH,ST2/PSL.....1	1	34	33652PGT	BRACKET,CASTER MNT-PAINTED.....4	4
10A	33306GT	STRUT,LH,ST2/PSL <i>(shown)</i>		35	32972GT	OUTRIGGER ASSY,ST,FRONT.....2	2
11	33670GT	SKID PAD.....2	2	--	33151GT	TUBE,OUTRIGGER FRONT	
12	32375GT	PIN,LOCK,LONG***.....4	4	36	124007GT	CASTER,SW LOCK,WB,4 X 2.....2	2
--	35830GT	SNAP PIN, KIT(AWP,SLA &C,ST2)		37	107176GT	BASE ASSY W/W DECALS ST20.....1 <i>includes item 7; USA, Canada and Australia models</i>	1
13	6019GT	SCREW,HHC,3/8-16 X 1.25 GRD 5		37A	107177GT	BASE ASSEMBLY W/SY DECALS,ST20 <i>includes item 7; Asia, South America and Europe models</i>	
14	57736GT	CASTER,PL,SW, 4 X 2.....2	2	37B	107178GT	BASE ASSEMBLY W/W DECALS,ST25 <i>includes item 7; USA, Canada and Australia models</i>	
15	124568GT	SCREW,SHC,M10X1.5X55		37C	107179GT	BASE ASSEMBLY W/SY DECALS,ST25 <i>includes item 7; Asia, South America and Europe models</i>	
16	124569GT	NUT,HEX,M10X1.5.LP		38	49407GT	WASHER,LOCK,M6	
17	6021GT	WASHER,LOCK,.375		39	22736GT	NUT,NYLOCK,M10X1.50	
18	6082GT	HANDLE BALL KNOB.....4	4	40	32645GT	SCREW,HHC,3/8-16 X 5 GRD 5 ZNC	
19	8214GT	HANDLE,LEVELING JACK,SHRT-ZINC.....4	4				
20	49377GT	SCREW,HHC,M6 X 40					
21	49364GT	NUT,NYLOCK,M6X1.00					
22	33673GT	CASTING,LEVELING JACK ST 2.....4	4				
23	124552GT	SCREW,HHC,M6-12MM.....4	4				
24	124792GT	WASHER,LOCK SPLIT,6MM,11.8MM					
25	124163GT	FOOTPAD SERVICE KIT <i>(includes items 25A thru 25J) (to SN ST08-3569)</i>					
25A	109967GT	AWP RUBBER PADDING.....1 <i>(from SN ST08-3570)</i>	1				
25B	109688GT	FOOTPAD, AWP.....1 <i>(from SN ST08-3570)</i>	1				
25C	109689GT	LEVELING ROD.....1 <i>(from SN ST08-3570)</i>	1				
25D	49364GT	NUT,NYLOCK,M6X1.00.....1 <i>(from SN ST08-3570)</i>	1				
25E	109715GT	PLATE,FOOTPAD RETAINER.....2 <i>(from SN ST08-3570)</i>	2				
25F	124552GT	SCREW,HHC,M6-12MM.....4 <i>(from SN ST08-3570)</i>	4				



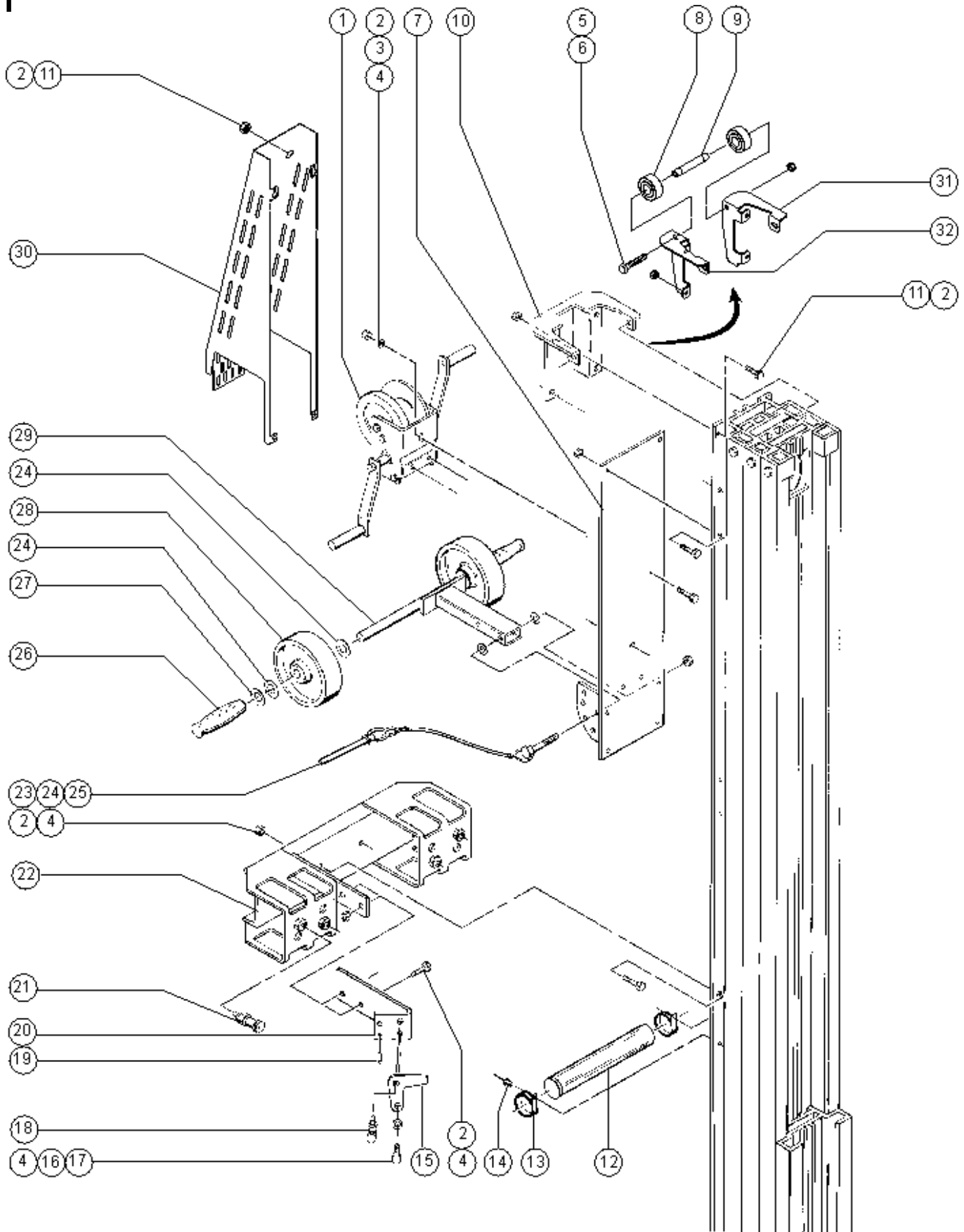
301.1 Number 1 Mast Attached Parts



## 301.1 Number 1 Mast Attached Parts

Item	Part No.	Description	Qty.
1		Ref. Winch Assembly (refer to 305.1 or 306.1)	
2	1257075GT	NUT, NYLOCK,3/8-16,GR8, ZINC	
3	6638GT	WASHER,FLAT,USS,1/4"Y	
4	6175GT	SCREW,HHC,3/8-16 X 1	
5	1257074GT	NUT, NYLOCK, 1/2-13, GR8, ZINC	
6	13005GT	SCREW,HHC,1/2-13 X 6,GRD.8.....1	
7	33539GT	WINCH PLATE W/DECAL ST <i>USA, Canada and Australia models</i>	
7A	107493GT	WINCH MOUNT PLATE, SYM DECAL <i>Asia, South America and Europe models</i>	
8	32473GT	WHEEL,ROLLER,NYLATRON,1.75.....2	
9	33843GT	SPACER,MAST STIFFENER.....1	
10	109579GT	MAST STIFFENER,RIGHT,GRAY***.....1	
10A	109580GT	MAST STIFFENER,LEFT,GRAY***	
11	6019GT	SCREW,HHC,3/8-16 X 1.25 GRD 5	
12	6600GT	INSTRUCT.TUBE W/CAPS-1.75 X 12.....1	
--	31822GT	CAP,INSTRUCTION TUBE (RED)	
13	6653GT	CLAMP,1.88,#30 X 1/4,RUB CUSH.....2	
14	7265GT	RIVET,STEEL,P .25 X .375.....2	
15	33653PGT	HOLD DOWN HOOK,ST "GRAY".....1	
16	33720GT	BEARING,FLANGE,3/8 ( AWP & ST)....1	
17	7713GT	NUT, LP NYLOCK, 3/8-16	
18	33674GT	PIN,LOCK,SHORT***.....1	
19	32483GT	PIN,ROLL,.25 X .50.....1	
20	33663PGT	BRACKET,,HOLD DOWN MNT-PAINTED.....1	
21	32375GT	PIN,LOCK,LONG***.....1	
--	35830GT	SNAP PIN, KIT(AWP,SLA & C,ST2)	
22	33191GT	WELDMENT,OUTRIGGER SUPPT.,GRAY.....1	
23	100309GT	ASSY,PIN & LANYARD***.....1	
--	10598GT	SCREW,HHC,1/2-13 X 3	
--	2163GT	CABLE,1/16INCH,7X7 STRANDS	
--	2238GT	CABLE OVAL SLEEVE, 1/16	
--	40658GT	WASHER,FLAT,RETAINING,.510	
--	80679GT	PIN,BALL RET.-.5 X 2.7	
24	6564GT	WASHER, SHIM,.765 X 1.312 X .093.....6	
25	6086GT	NUT,LP NYLOCK,1/2-13	
26	6587GT	HANDLE GRIP, RUBBER .75 X 4.5.....2	
27	33385GT	WASHER,PUSH ON .75 SHAFT.....2	
28	57788GT	WHEEL,POLY,6X2, 3/4**.....2	
29	33540GT	LOADING WHEEL ASSY ST/SL.....1 (includes items 24 and 26-28)	
--	33540GT	LOADING WHEEL ASSY ST/SL	

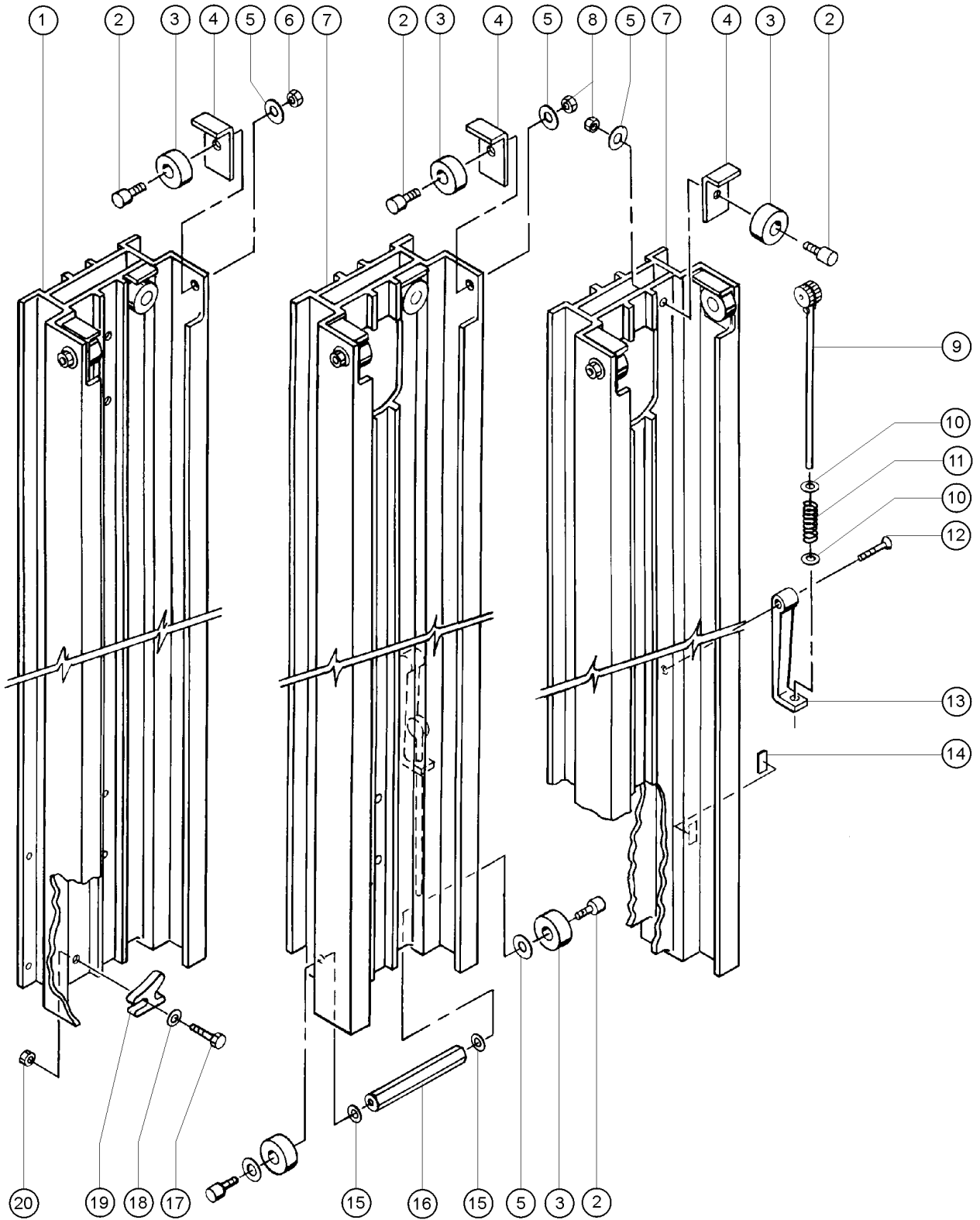
301.1 Number 1 Mast Attached Parts



## 301.1 Number 1 Mast Attached Parts

Item	Part No.	Description	Qty.	Item	Part No.	Description	Qty.
1		Ref. Winch Assembly (refer to 305.1 or 306.1)		30	124821GT	KIT,CBL GRD,W/WRD DCALS,ST.....1 (Australia models) (assembly with word decals)	1
2	1257075GT	NUT, NYLOCK,3/8-16,GR8, ZINC		31	109579GT	MAST STIFFENER,RIGHT,GRAY***.....1	1
3	6638GT	WASHER,FLAT,USS,1/4"Y		32	109580GT	MAST STIFFENER,LEFT,GRAY***.....1	1
4	6175GT	SCREW,HHC,3/8-16 X 1					
5	1257074GT	NUT, NYLOCK, 1/2-13, GR8, ZINC					
6	13005GT	SCREW,HHC,1/2-13 X 6,GRD.8.....1	1				
7	33539GT	WINCH PLATE W/DECAL ST USA, Canada and Australia models					
7A	107493GT	WINCH MOUNT PLATE, SYM DECAL Asia, South America and Europe models					
8	32473GT	WHEEL,ROLLER,NYLATRON,1.75.....2	2				
9	33843GT	SPACER,MAST STIFFENER.....1	1				
10	35814GT	MAST STIFF. ASSY.SLC,ST2.....1 assembly contains items 31 and 32	1				
11	6019GT	SCREW,HHC,3/8-16 X 1.25 GRD 5					
12	6600GT	INSTRUCT.TUBE W/CAPS-1.75 X 12.....1	1				
--	31822GT	CAP,INSTRUCTION TUBE (RED)					
13	6653GT	CLAMP,1.88,#30 X 1/4,RUB CUSH.....2	2				
14	7265GT	RIVET,STEEL,P,.25 X .375.....2	2				
15	33653PGT	HOLD DOWN HOOK,ST "GRAY".....1	1				
16	33720GT	BEARING,FLANGE,3/8 ( AWP & ST).....1	1				
17	7713GT	NUT, LP NYLOCK, 3/8-16					
18	33674GT	PIN,LOCK,SHORT***.....1	1				
19	32483GT	PIN,ROLL,.25 X .50.....1	1				
20	33663PGT	BRACKET,,HOLD DOWN MNT-PAINTED.....1	1				
21	32375GT	PIN,LOCK,LONG***.....1	1				
--	35830GT	SNAP PIN, KIT(AWP,SLA & C,ST2)					
22	33191GT	WELDMENT,OUTRIGGER SUPPT.,GRAY.....1	1				
23	100309GT	ASSY,PIN & LANYARD***.....1	1				
--	10598GT	SCREW,HHC,1/2-13 X 3					
--	2163GT	CABLE,1/16INCH,7X7 STRANDS					
--	2238GT	CABLE OVAL SLEEVE, 1/16					
--	40658GT	WASHER,FLAT,RETAINING,.510					
--	80679GT	PIN,BALL RET.-.5 X 2.7					
24	6564GT	WASHER, SHIM,.765 X 1.312 X .093.....6	6				
25	6086GT	NUT,LP NYLOCK,1/2-13					
26	6587GT	HANDLE GRIP, RUBBER .75 X 4.5.....2	2				
27	33385GT	WASHER,PUSH ON .75 SHAFT.....2	2				
28	57788GT	WHEEL,POLY,6X2, 3/4**.....2	2				
29	33540GT	LOADING WHEEL ASSY ST/SL.....1 (includes items 24 and 26-28)	1				
--	33540GT	LOADING WHEEL ASSY ST/SL					

302.1 Mast Components, View 1

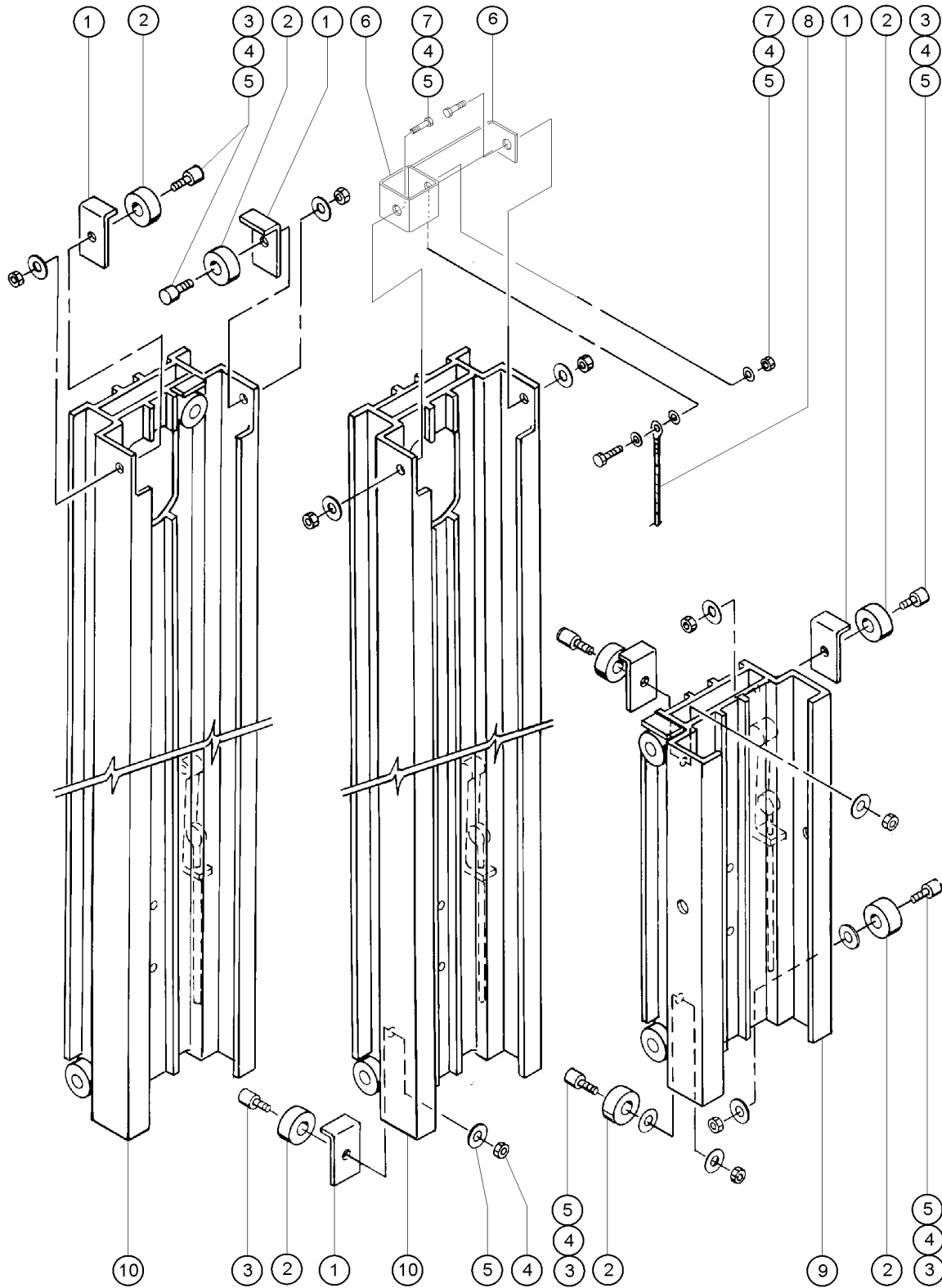


302.1 Mast Components, View 1

Item	Part No.	Description	Qty.	Item	Part No.	Description	Qty.
--	1257074GT	NUT, NYLOCK, 1/2-13, GR8, ZINC		20	4828GT	NUT,NYLOCK,3/8-16	
--	1257075GT	NUT, NYLOCK,3/8-16,GR8, ZINC					
--	90337GT	BOE LUBE.....1 <i>aluminum dry lubricant</i>					
1	35105GT	COLUMN#1,ST2,ANODIZED-SERVICE*.1 <i>(from SN 7794-101 to SN 7795-336)</i>					
1A	33308GT	COLUMN #1 SLA/ST,MACHINED**.....1 <i>(from SN 7795-337 to SN 7798-1523)</i>					
1B	57036-SGT	COLUMN#1,MACHINED,ST,BLK,SERV..1 <i>(from SN 7799-319)</i>					
2	32475GT	BOLT-ROLLER,1/2-13X1.84 ZINC.....15					
3	32473GT	WHEEL,ROLLER,NYLATRON,1.75.....15					
4	32474GT	GUARD,ROLLER, SL2,.....11					
5	6095GT	WASHER,FLAT,USS,1/2",Y					
6	6086GT	NUT,LP NYLOCK,1/2-13					
7	32965GT	COLUMN ASSY,ST,2-5**.....4 <i>(from SN 7794-101 to SN 7795-357)</i>					
7A	35480GT	COLUMN ASSY,ST,2-5**.....4 <i>(from SN 7795-358 to SN 7798-1523)</i>					
7B	57037-SGT	COLUMN#2,MACHINED,ST,BLK,SERV..4 <i>(from SN 7799-319)</i>					
8	1257074GT	NUT, NYLOCK, 1/2-13, GR8, ZINC					
8	6198GT	NUT,NYLOCK,1/2-13					
9	35100GT	SAFETY BRAKE ASSY-SLII (OLD)** .....2 <i>(to SN 7795-357)</i>					
9A	35100GT	SAFETY BRAKE ASSY-SLII (OLD)** .....2 <i>(to SN 7795-357)</i>					
9A	35101GT	SAFETY BRAKE ASSY(SQ.NUT)SL2** <i>(from SN 7795-358)</i>					
9B	35101GT	SAFETY BRAKE ASSY(SQ.NUT)SL2** <i>(from SN 7795-358)</i>					
10	21442GT	SHIM,.75 X.45 X.032.....4					
11	32481GT	SPRING,SAFETY BRAKE**.....2					
12	17712GT	SCREW,FHS,3/8-16 X 1.75					
13	35254GT	SAFETY BRAKE RAMP,MACHINED.....2 <i>(to SN 7795-357)</i>					
13A	35101GT	SAFETY BRAKE ASSY(SQ.NUT)SL2** <i>(from SN 7795-358)</i>					
14		SHIM,SAFETY BRAKE, COLUMN ** .....3 <i>(no longer available)</i>					
15	6052GT	WASHER,SHIM,.5 X .875 X .063.....2					
16	33811GT	COUPLER BAR ASSEMBLY,SLA&C,ST2.....1 <i>ST-20, ST-25</i>					
17	6019GT	SCREW,HHC,3/8-16 X 1.25 GRD 5					
18	12013GT	SHIM,.375 X .063					
19	32522GT	DOWN STOP					
20	1257075GT	NUT, NYLOCK,3/8-16,GR8, ZINC					



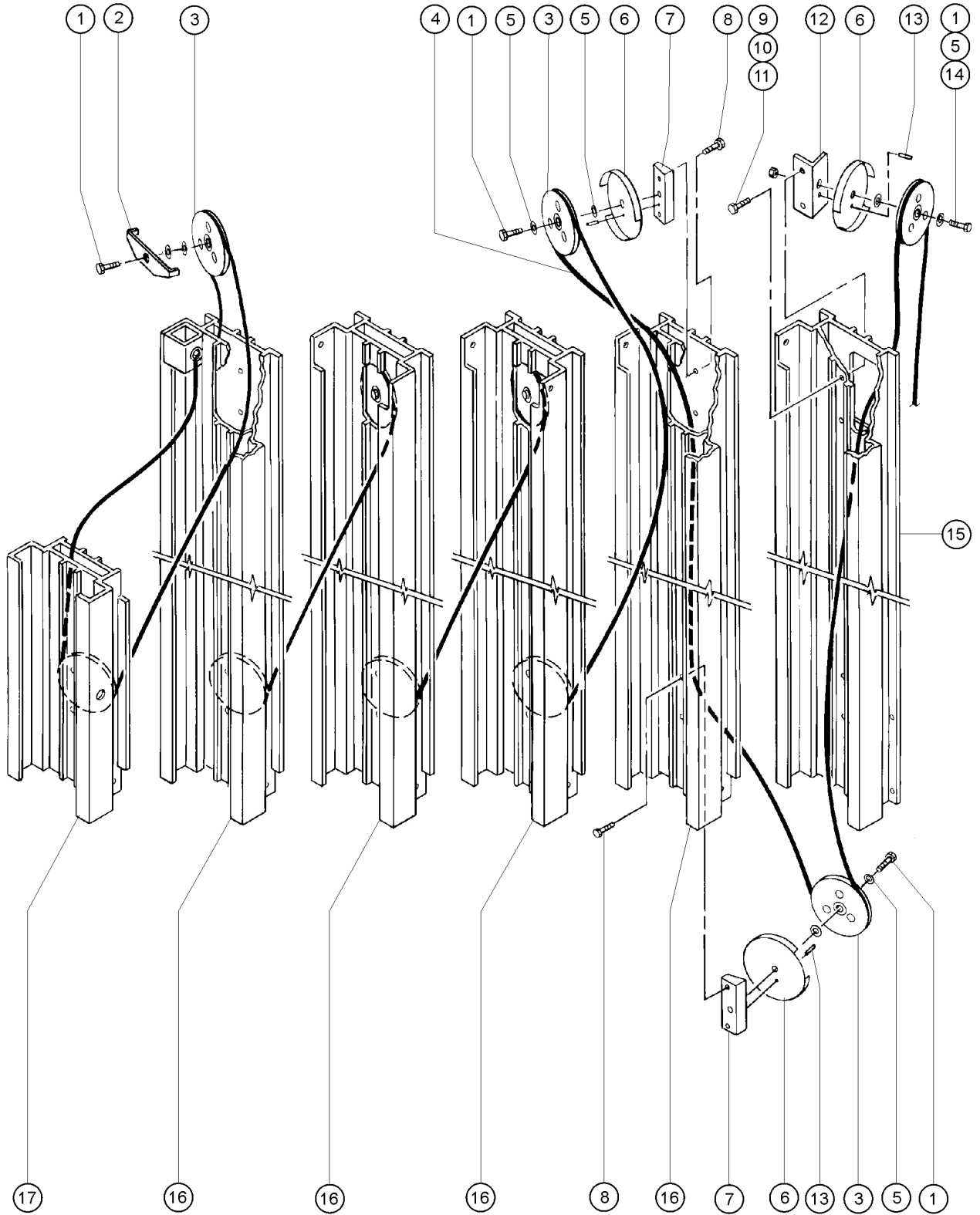
303.1 Mast Components, View 2





Item	Part No.	Description	Qty.
1	32474GT	GUARD,ROLLER, SL2,.....	8
2	32473GT	WHEEL,ROLLER,NYLATRON,1.75.....	15
3	32475GT	BOLT-ROLLER,1/2-13X1.84 ZINC.....	15
4	6095GT	WASHER,FLAT,USS,1/2",Y	
5	1257074GT	NUT, NYLOCK, 1/2-13, GR8, ZINC	
5	6198GT	NUT,NYLOCK,1/2-13	
6	80987GT	KIT, CABLE ANCHOR BRK, SLC/ST* ..... <i>(gray is the service replacement color)</i>	2
7	10587GT	SCREW,HHC,1/2-13 X.75	
8	32904GT	CABLE ASSY,SL/ST20 669" 7/32" <i>ST-20 (does not include cable replacement coupler)</i>	
8A	32905GT	CABLE ASSY,SL/ST25 813" 7/32" <i>ST-25 (does not include cable replacement coupler)</i>	
--	12402GT	CABLE REPLACEMENT COUPLER <i>(sold separately)</i>	
--	52701GT	VIDEO,NTSC,SLA,CABLING PROCDR <i>(sold separately)</i>	
9	32966GT	CARRIAGE ASSY,ST 20/25**..... <i>(from SN 7794-101 to 7795-357)</i>	1
9A	35484GT	CARRIAGE ASSY- ST2**..... <i>(from SN 7795-358 to 7798-1523)</i>	1
9B	57035GT	CARRIAGE,SL ADVANTAGE(20,25)..... <i>(from SN 7799-319)</i>	1
10		Ref. COLUMN, MACHINED,ST,BLK ANODI <i>(refer to 302.1)</i>	

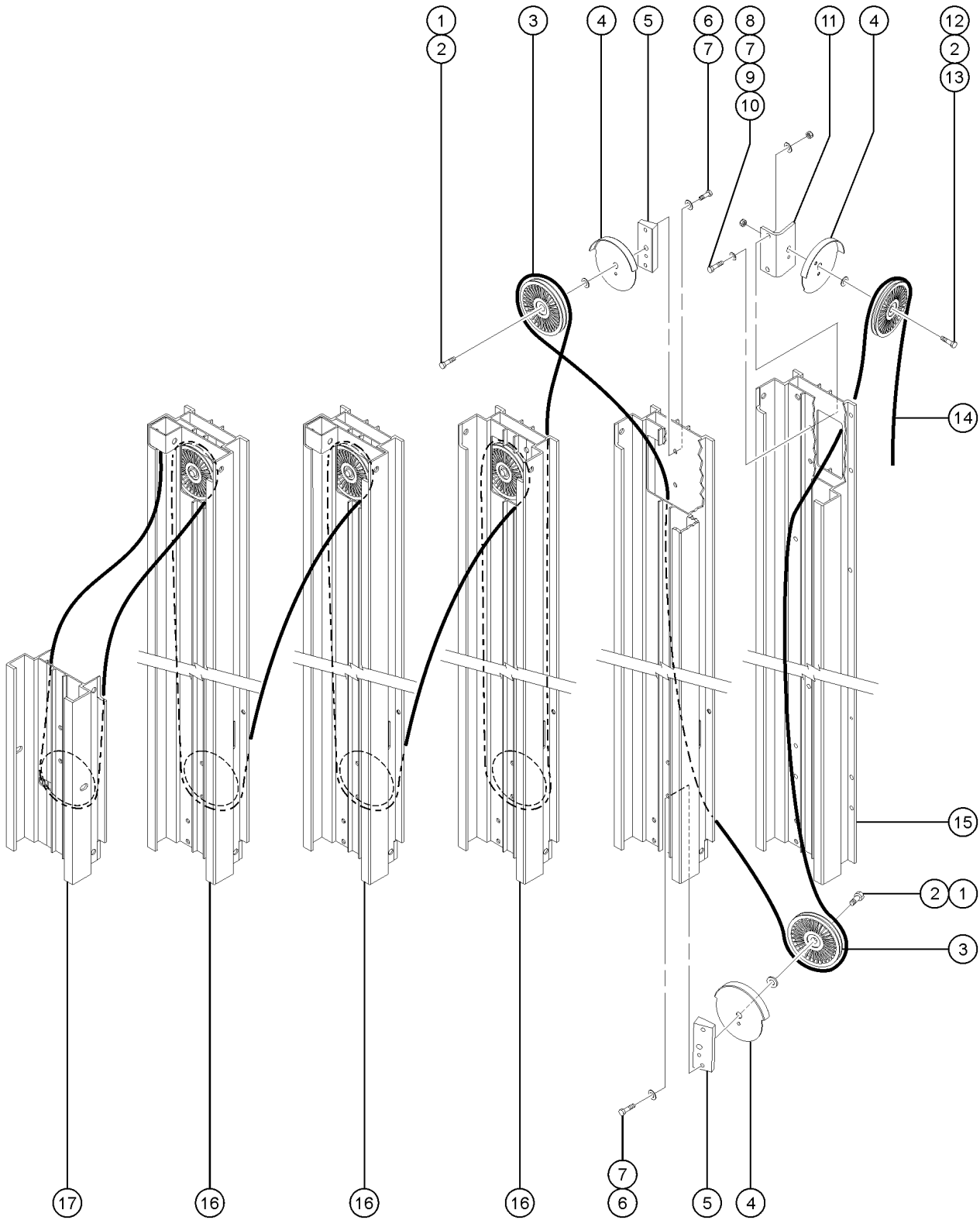
304.1 Mast Components, Pulleys and Cables (to SN ST15-4740)



## 304.1 Mast Components, Pulleys and Cables (to SN ST15-4740)

Item	Part No.	Description	Qty.
1	10597GT	SCREW,HHC,1/2-13 X 1.25 GR5	
2	33420GT	GUARD,CABLE.....1 (to SN ST02-1868)	
3	32469GT	PULLEY W/BEARING,ALUMINUM***...10 replaced 49999 plastic pulley	
4	32904GT	CABLE ASSY,SL/ST20 669" 7/32" (refer to 303.1) (does not include cable replacement coupler)	
4A	32905GT	CABLE ASSY,SL/ST25 813" 7/32"* (does not include cable replacement coupler)	
--	12402GT	CABLE REPLACEMENT COUPLER (sold separately)	
--	52701GT	VIDEO,NTSC,SLA,CABLING PROCDR (sold separately)	
5	6052GT	WASHER,SHIM,.5 X .875 X .063.....20	
6	32476GT	GUARD,CABLE***.....10 (to SN ST02-1868)	
6A	32476GT	GUARD,CABLE***.....10 (to SN ST02-1868)	
6B	80680GT	GUARD, CABLE (from SN ST02-1869)	
7	32470GT	PULLEY MOUNT , SL-2.....9	
8	8255GT	SCREW,HHC,3/8-16 X .75	
9	6019GT	SCREW,HHC,3/8-16 X 1.25 GRD 5	
10	6097GT	WASHER,FLAT,USS,3/8",Y	
11	4828GT	NUT,NYLOCK,3/8-16	
12	33700GT	PULLEY MOUNT,#1 COLUMN,GRY,SLC.....1	
13	32483GT	PIN,ROLL,.25 X .50.....10	
14	6086GT	NUT,LP NYLOCK,1/2-13	
15A	35105GT	COLUMN#1,ST2,ANODIZED-SERVICE*.1 (from SN 7794-101 to 7795-336)	
15B	33308GT	COLUMN #1 SLA/ST,MACHINED** (from SN 7795-337 to 7798-1523)	
15C	57036-SGT	COLUMN#1,MACHINED,ST,BLK,SERV (from SN 7799-319) (must order with PN 35814 for units from 7799-319 to ST04-2407)	
16A	32965GT	COLUMN ASSY,ST,2-5**.....2 (from SN 7794-101 to 7795-357)	
16B	35480GT	COLUMN ASSY,ST,2-5** (from SN 7795-358 to 7798-1523)	
16C	57037-SGT	COLUMN#2,MACHINED,ST,BLK,SERV..2 (from SN 7799-319)	
17A	32966GT	CARRIAGE ASSY,ST 20/25**.....1 (from SN 7794-101 to 7795-357)	
17B	35484GT	CARRIAGE ASSY- ST2** (from SN 7795-358 to 7798-1523)	
17C	57038-SGT	CARRIAGE,MACHINED,ST SERV (from SN 7799-319)	

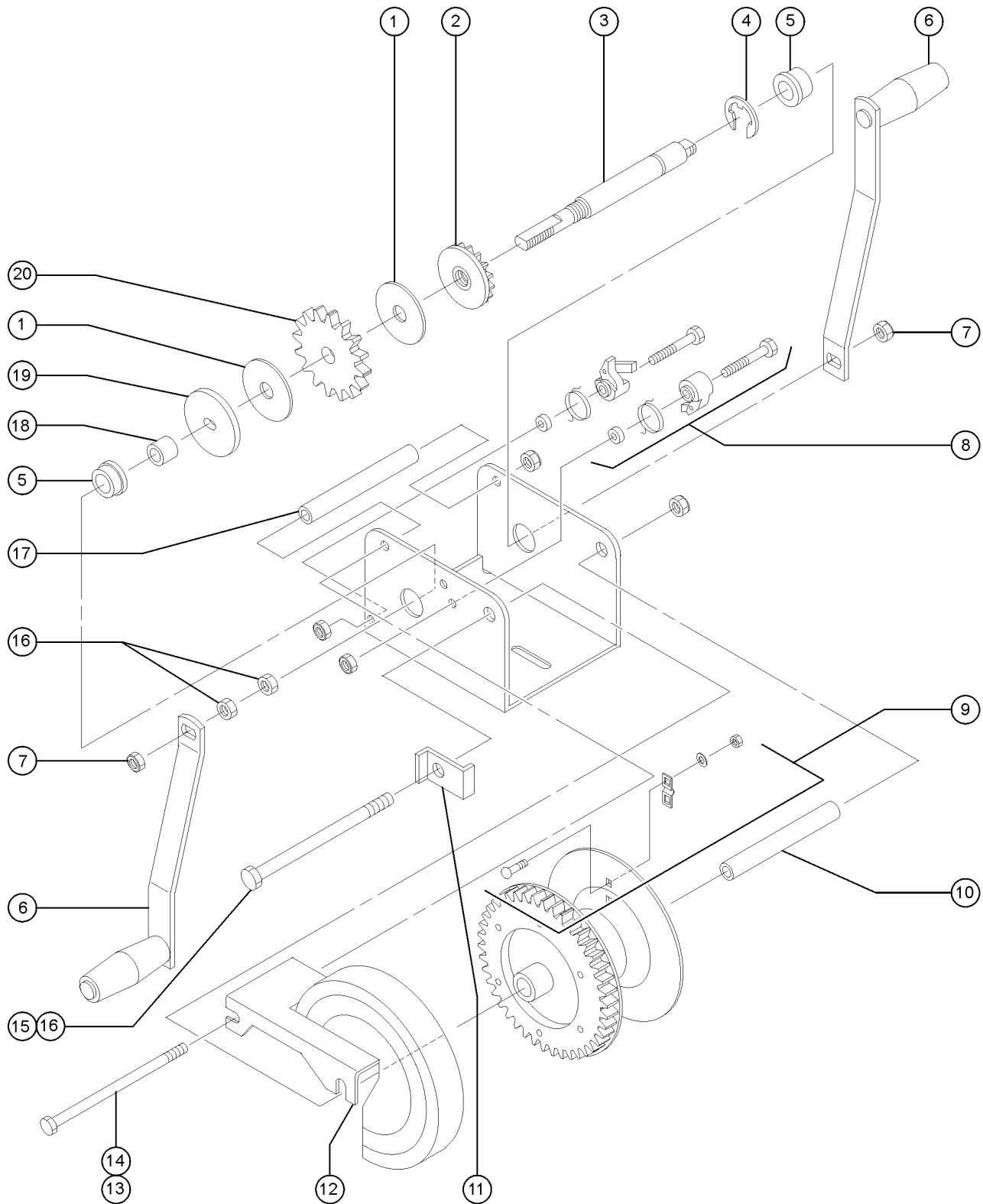
304.2 Mast Components, Pulleys and Cables (from SN ST15-4741)



## 304.2 Mast Components, Pulleys and Cables (from SN ST15-4741)

Item	Part No.	Description	Qty.
1	10597GT	SCREW,HHC,1/2-13 X 1.25 GR5	
2	1257466GT	WASHER, FLAT, SAE, .5, GRADE 9	
3A	1254648GT	PULLEY, 6203.....8 (ST-20)	
3B	1254648GT	PULLEY, 6203.....10 (ST-25)	
4A	1254649GT	COVER,PULLEY, 6203.....8 (ST-20)	
4B	1254649GT	COVER,PULLEY, 6203.....10 (ST-25)	
5A	1251619GT	MOUNT, PULLEY, INNER, 6203.....8 (ST-20)	
5B	1251619GT	MOUNT, PULLEY, INNER, 6203.....10 (ST-25)	
6	8255GT	SCREW,HHC,3/8-16 X .75	
7	5397GT	WASHER,FLAT,USS,5/16",Y	
8	6019GT	SCREW,HHC,3/8-16 X 1.25 GRD 5	
9	6097GT	WASHER,FLAT,USS,3/8",Y	
10	1257075GT	NUT, NYLOCK,3/8-16,GR8, ZINC	
11	1256136GT	MOUNT, PLY, FIRST, 6203, GRAY.....1	
12	22788GT	SCREW,HHC,1/2-13 X 1.75	
13	1257074GT	NUT, NYLOCK, 1/2-13, GR8, ZINC	
14A	52701GT	VIDEO,NTSC,SLA,CABLING PROCDR (Sold Separately)	
--	12402GT	CABLE REPLACEMENT COUPLER (Sold Separately)	
14B	32904GT	CABLE ASSY,SL/ST20 669" 7/32" .....1 "ST-20; Does Not Include Cable Replacement Coupler"	
14C	32905GT	CABLE ASSY,SL/ST25 813" 7/32"* .....1 "ST-25; Does Not Include Cable Replacement Coupler"	
15	57036GT	COLUMN#1,MACHINED,ST,BLK ANODI.....1	
16	57037-SGT	COLUMN#2,MACHINED,ST,BLK,SERV (quantity depends on height of unit)	
17	57038-SGT	CARRIAGE,MACHINED,ST SERV.....1	

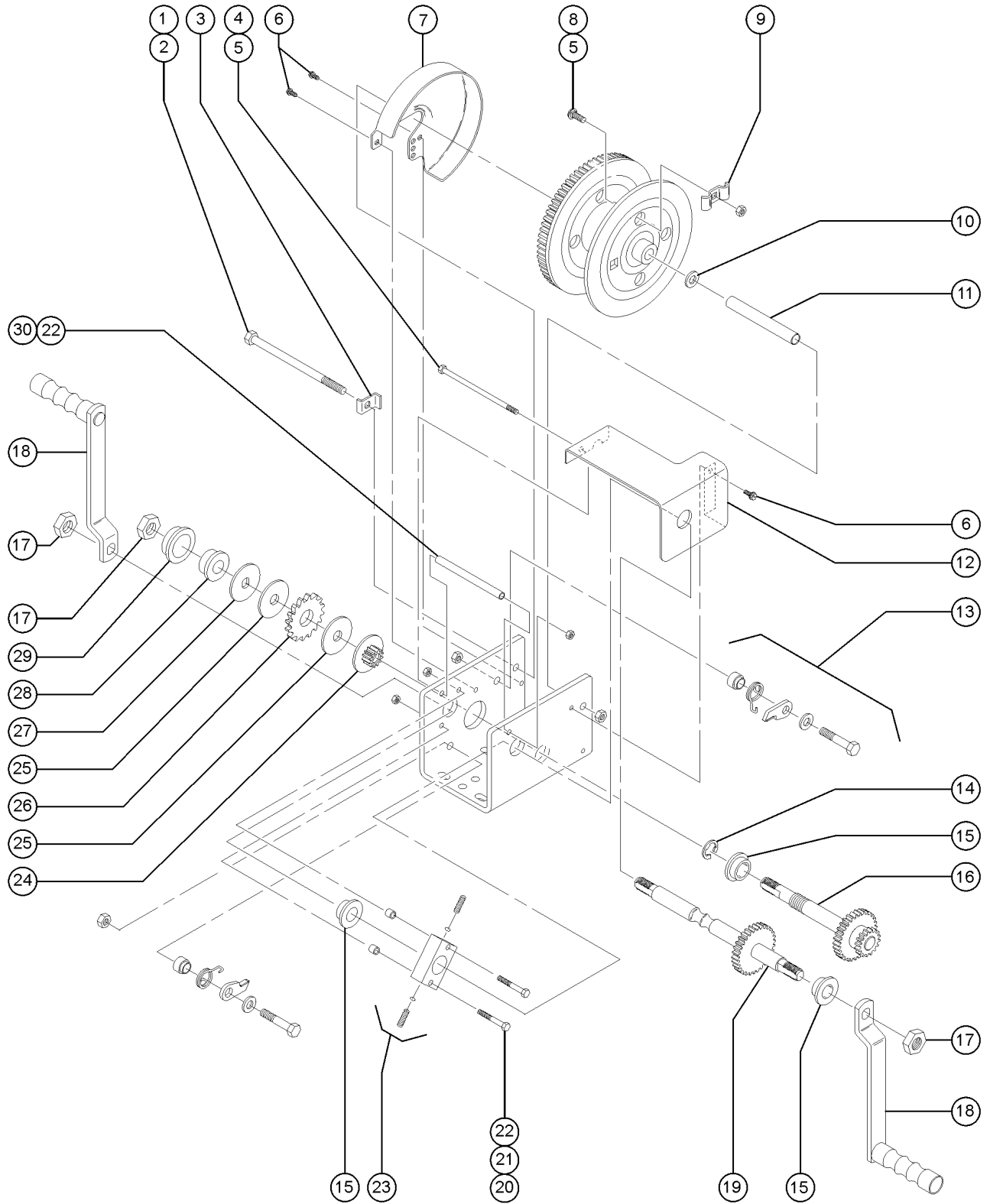
305.1 Winch Components, One-speed



305.1 Winch Components, One-speed

Item	Part No.	Description	Qty.	Item	Part No.	Description	Qty.
--		SERVICE KIT,PINION SHAFT-K1550 (1256081) <i>(component no longer available)</i>		17		FRAME SPACER,K-1550 (7584).....1 <i>(not sold separately)</i>	
--	1256083GT	SVC KIT, FRICTION DISC K/KX <i>includes qty 2 of item 1</i>		18		SPACER,PINION SHAFT (32890).....1 <i>(component no longer available)</i>	
--	32945GT	WINCH,W/DECAL 1SPEED SL/ST <i>USA, Canada and Australia models (word decals)(handle not included)</i>		19		WINCH PINION PLATE, K-1550 (7591).....1 <i>(component no longer available)</i>	
--	107494GT	WINCH ASSY, ONE SPD, SYM DECAL <i>Asia, South America and Europe models</i>		20		RATCHET GEAR,K-1550 1/2" I.D. (6777).....1 <i>(component no longer available)</i>	
1		BRAKE DISK,.5 BORE,K-1550 (7571)....2 <i>(component no longer available)</i>					
2		PINION GEAR AND DISC K-1550 (7590).....1 <i>(component no longer available)</i>					
3		SHAFT,PINION (32891).....1 <i>(component no longer available)</i>					
4		RETAINING RING (6200).....1 <i>(component no longer available)</i>					
5		BUSHING, SMALL PINION, FULTON (6199).....2 <i>(component no longer available)</i>					
6	33144GT	WINCH HANDLE 8" STD.**.....2 <i>(perpendicular slot)</i>					
6A	33144GT	WINCH HANDLE 8" STD.** <i>(parallell slot)</i>					
7	6086GT	NUT,LP NYLOCK,1/2-13					
8	40458GT	RATCHET PAWL KIT.....1					
--	35734GT	FORMING, SEQUENCING, CARR, ZN					
--	4500GT	CABLE 1/8 7 X 19 GALV.-BULK					
--	4517GT	STOP SLEEVE-CABLE TENSION ASSY					
--	4518GT	CABLE SWAGE,ZINC-MAST TENSION					
--	4828GT	NUT,NYLOCK,3/8-16					
--	8516GT	SCREW, HCC, 3/8-16 X 1.50					
9	6190GT	CABLE KEEP.KIT (BRACKETTYPE)*.....1					
--	25625GT	NUT,HEX,10-24					
--	80159GT	CARRIAGE BOLT					
--	80160GT	KEEPER-CABLE (32525)					
--	80161GT	WASHER-STAR,INTERN,5/8"(32525)					
10	6184GT	SPACER, DRUM BOLT, K-1550.....1					
11		WINCH BRACKET, DRUM BOLT LOCK (31946).....1 <i>(not sold separately)</i>					
12	6770GT	WINCH GEAR COVERS, K-1500.....1					
13	7256GT	SCREW,HHC,5/16-18 X 6 GRD.2					
14	6782GT	NUT,NYLOCK,5/16-18					
15	6185GT	BOLT, DRUM SPACER.....1					
16	6034GT	NUT,HEX,JAM,1/2-13					

306.1 Winch Components, Two-speed

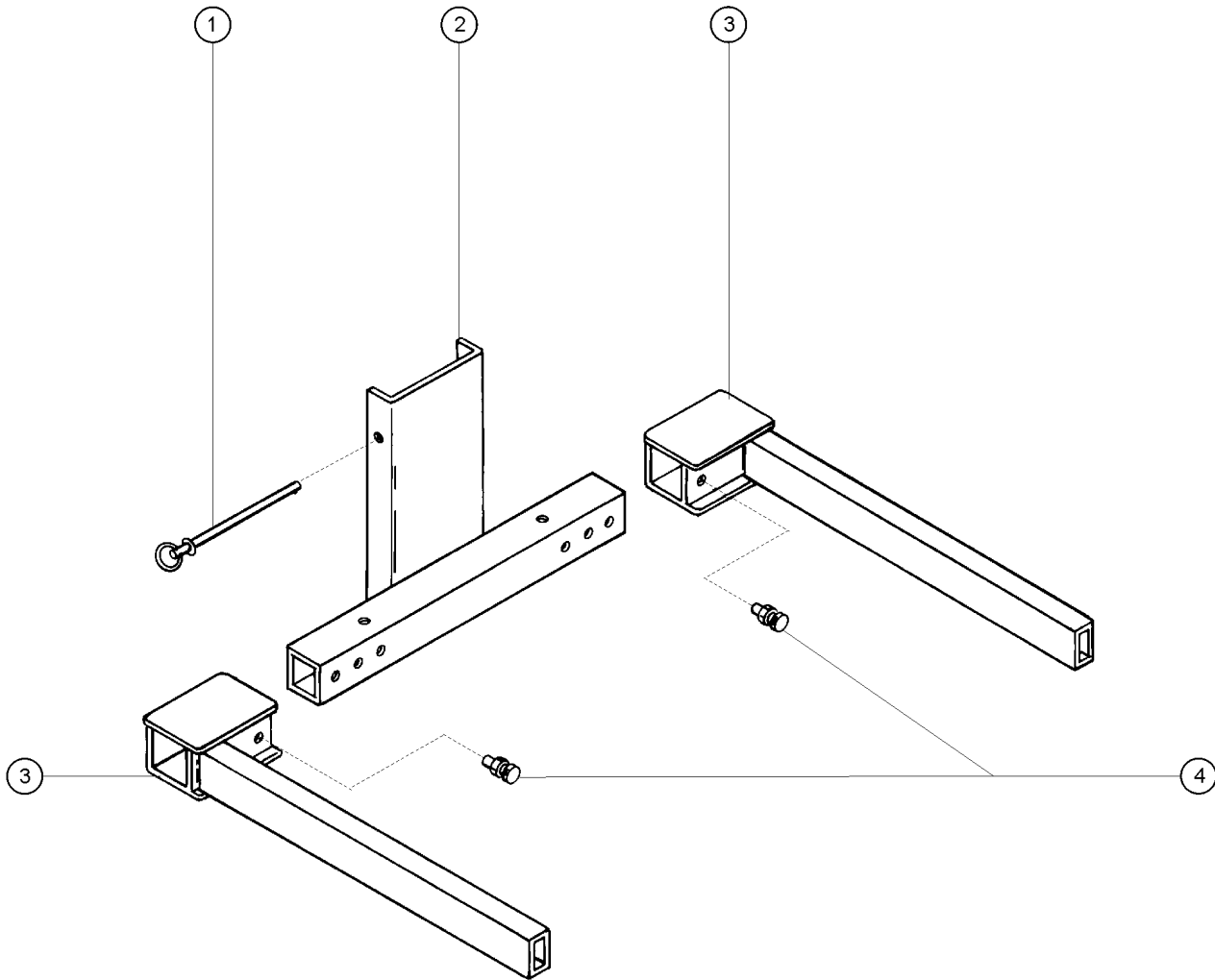




## 306.1 Winch Components, Two-speed

Item	Part No.	Description	Qty.	Item	Part No.	Description	Qty.
--	107495GT	WINCH ASSY, TWO SPD, SYM DECAL <i>Asia, South America and Europe models</i>		29	37064GT	BUSHING,PINION SHAFT,DLB800*.....1	1
--	32946GT	WINCH W/DECAL,2 SPEED*** <i>USA, Canada and Australia models (word decals)</i>		29	85182GT	SINTERED IRON BEARING,1-1/4**.....1	1
--	40130GT	CABLE KEEPER KIT (33090) <i>includes items 5, 8 and 9</i>		30	40128GT	BASE SPACER.....1	1
1	78037GT	SCREW,HHC,3/8-16 X 5.5					
2	4828GT	NUT,NYLOCK,3/8-16					
3	80145GT	LOCK-BOLT, REEL (80056).....1	1				
4	80146GT	SCREW,HHC,1/4-20 X 5.25(80056)					
5	6091GT	NUT,NYLOCK,1/4-20					
6	80147GT	SCREW-THRD FORM,HH-SLT, 1/2"					
7	80148GT	COVER - REEL (80056).....1	1				
8	80149GT	BOLT,CARRIAGE,1/4-20 X .5,G2					
9	37065GT	CABLE KEEPER, DLB800.....1	1				
10	80150GT	WASHER-FLAT, 1/2" (80056)					
11	40113GT	REEL SPACER.....1	1				
12	80151GT	COVER-GEAR (80056).....1	1				
13	40117GT	RATCHET PAWL KIT, (33090).....1	1				
--	4828GT	NUT,NYLOCK,3/8-16					
--	5397GT	WASHER,FLAT,USS,5/16",Y					
--	80152GT	SPACER-RATCHET (80056)					
--	80153GT	SPRING-RATCHET (80056)					
--	80154GT	PAWL-RATCHET (80056)					
--	8516GT	SCREW, HCC, 3/8-16 X 1.50					
14	40116GT	E-RING, 3/4.....1	1				
15	40126GT	BEARING, SINTERED IRON, 3/4					
16	80155GT	SHAFT ASSY,INTERMED. (80056).....1	1				
17	38028GT	NUT,LP NYLOCK,5/8-11					
18	40125GT	HANDLE ASSY., 8-INCH, OFFSET.....2	2				
19	72264GT	SHAFT ASSY, PRIMARY.....1	1				
20	6145GT	SCREW,HHC,1/4-20 X 1.5					
21	40115GT	BRAKE SPRING SPACER.....2	2				
22	6889GT	NUT,LP NYLOCK,1/4-20					
23	40127GT	DETENT BLOCK ASSY.....1	1				
--	40509GT	DETENT SPRING.....2	2				
--	40510GT	DETENT BALL.....2	2				
--	80156GT	BLOCK-DETENT (80056).....1	1				
24	80157GT	GEAR-PINION (80056).....1	1				
25	37061GT	BRAKE FACE,DLB800.....2	2				
26	37062GT	RATCHET GEAR, DLB800.....1	1				
27	40122GT	WASHER,DOUBLE D.....1	1				
28	40123GT	SPACER.....1	1				

401.1 Adjustable Forks



## 401.1 Adjustable Forks

Item	Part No.	Description	Qty.
--	33543-SGT	SLC, ADJ FORK ASSEMBLY	
1	48301GT	PIN,TOGGLE,,50 X 8.13*** .....	1
2	33542GT	CARRIER - ADJ.FORK,SLC..... <i>USA, Canada and Australia models</i>	1
2A	107221GT	ADJUSTABLE FORK CARRIER W/DECA <i>Asia, South America and Europe models</i>	
3	33707-SGT	WELDMENT,ARM ADJ. FORK,"GRAY" .....	2
4	32375GT	PIN,LOCK,LONG*** .....	2
		<i>(course thread)</i>	
4A	33674GT	PIN,LOCK,SHORT*** <i>(fine thread)</i>	
4B	35830GT	SNAP PIN, KIT(AWP,SLA &C,ST2) <i>(contains 33674 and 32375, 1 each)</i>	

## Part Number Index

The Part Number Index is a numeric index of all part numbers included in this manual. The index shows what page(s) the part is used on.

Part Number	Page	Part Number	Page	Part Number	Page
100309GT	19, 21	32966GT	25, 27	57038-SGT	27, 29
10587GT	25	32971GT	17	57736GT	17
10597GT	27, 29	32972GT	17	57748GT	17
10598GT	17, 19, 21	33144GT	31	57788GT	19, 21
107176GT	17	33151GT	17	6019GT	17, 19, 21, 23, 27, 29
107177GT	17	33152-SGT	17		
107178GT	17	33191GT	19, 21	6021GT	17
107179GT	17	33306GT	17	6033GT	17
107221GT	35	33307GT	17	6034GT	17, 31
107493GT	19, 21	33308GT	23, 27	6052GT	23, 27
107494GT	31	33385GT	19, 21	6082GT	17
107495GT	33	33420GT	27	6086GT	19, 21, 23, 27, 31
109579GT	19, 21	33468GT	11, 13	6091GT	33
109580GT	19, 21	33493GT	13	6095GT	17, 23, 25
109688GT	17	33498GT	11, 13, 15	6097GT	17, 27, 29
109689GT	17	33539GT	19, 21	6145GT	33
109715GT	17	33540GT	19, 21	6175GT	19, 21
109967GT	17	33542GT	35	6184GT	31
12013GT	23	33543-SGT	35	6185GT	31
124007GT	17	33652PGT	17	6190GT	31
12402GT	25, 27, 29	33653PGT	19, 21	6198GT	17, 23, 25
124163GT	17	33663PGT	19, 21	6356GT	17
124511GT	17	33670GT	17	6564GT	19, 21
124552GT	17	33673GT	17	6587GT	19, 21
124568GT	17	33674GT	19, 21, 35	6600GT	19, 21
124569GT	17	33700GT	27	6638GT	19, 21
124792GT	17	33707-SGT	35	6653GT	19, 21
124821GT	21	33720GT	19, 21	6714GT	17
1251619GT	29	33781GT	17	6724GT	11
1254648GT	29	33811GT	23	6770GT	31
1254649GT	29	33843GT	19, 21	6782GT	31
1256083GT	31	35100GT	23	6825GT	17
1256136GT	29	35101GT	23	6889GT	33
1257074GT	19, 21, 23, 25, 29	35105GT	23, 27	72264GT	33
1257075GT	19, 21, 23, 29	35254GT	23	7256GT	31
1257466GT	29	35480GT	23, 27	7265GT	19, 21
13005GT	19, 21	35484GT	25, 27	7713GT	19, 21
17712GT	23	35734GT	31	78037GT	33
21442GT	23	35814GT	21	80145GT	33
2163GT	19, 21	35830GT	17, 19, 21, 35	80146GT	33
2238GT	19, 21	37061GT	33	80147GT	33
22736GT	17	37062GT	33	80148GT	33
22788GT	29	37064GT	33	80149GT	33
25625GT	31	37065GT	33	80150GT	33
27865GT	11, 13	38028GT	33	80151GT	33
31072GT	13	40113GT	33	80152GT	33
31075GT	11	40115GT	33	80153GT	33
31822GT	19, 21	40116GT	33	80154GT	33
32375GT	17, 19, 21, 35	40117GT	33	80155GT	33
32469GT	27	40122GT	33	80156GT	33
32470GT	27	40123GT	33	80157GT	33
32473GT	19, 21, 23, 25	40125GT	33	80159GT	31
32474GT	23, 25	40126GT	33	80160GT	31
32475GT	23, 25	40127GT	33	80161GT	31
32476GT	27	40128GT	33	80679GT	19, 21
32481GT	23	40130GT	33	80680GT	27
32483GT	19, 21, 27	40458GT	31	80939GT	15
32522GT	23	40509GT	33	80987GT	25
32576GT	17	40510GT	33	8178GT	17
32645GT	17	40658GT	19, 21	8214GT	17
32714GT	11	4500GT	31	82487GT	15
32770GT	11, 13	4517GT	31	8255GT	27, 29
32885GT	11, 13	4518GT	31	82964GT	15
32904GT	25, 27, 29	4828GT	17, 23, 27, 31, 33	8516GT	17, 31, 33
32905GT	25, 27, 29	48301GT	35	85182GT	33
32926GT	11	49364GT	17	90337GT	23
32927GT	11, 13, 15	49377GT	17	97529GT	13
32928GT	11, 13, 15	49407GT	17	97532GT	15
32929GT	11, 13	52701GT	25, 27, 29	97539GT	15
32934GT	11, 13	52985GT	13, 15	97541GT	15
32938GT	11, 13	5397GT	29, 33	97544GT	15
32939GT	11, 13	57035GT	25	97545GT	15
32945GT	31	57036-SGT	23, 27	97546GT	15
32946GT	33	57036GT	29	97547GT	13
32965GT	23, 27	57037-SGT	23, 27, 29		

The Part Description Index is an alphabetical index of all part descriptions included in this manual. The index shows what page(s) the part is used on.

- A**
- ADJUSTABLE FORK CARRIER W/DECA.....35  
 ASSY,PIN & LANYARD\*\*\* .....19, 21  
 AWP RUBBER PADDING.....17
- B**
- BASE ASSEMBLY W/SY DECALS,ST20.....17  
 BASE ASSEMBLY W/SY DECALS,ST25.....17  
 BASE ASSEMBLY W/W DECALS,ST25.....17  
 BASE ASSY W/W DECALS ST20.....17  
 BASE SPACER.....33  
 BEARING, SINTERED IRON, 3/4.....33  
 BEARING,FLANGE,3/8 ( AWP & ST).....19, 21  
 BLOCK-DETENT (80056).....33  
 BOE LUBE.....23  
 BOLT, DRUM SPACER.....31  
 BOLT,CARRIAGE,1/4-20 X .5,G2.....33  
 BOLT-ROLLER,1/2-13X1.84 ZINC.....23, 25  
 BRACKET,,HOLD DOWN MNT-PAINTED...19, 21  
 BRACKET,CASTER MNT-PAINTED.....17  
 BRAKE DISK,,5 BORE,K-1550 (7571).....31  
 BRAKE FACE,DLB800.....33  
 BRAKE SPRING SPACER.....33  
 BUSHING, SMALL PINION, FULTON (6199).....31  
 BUSHING,PINION SHAFT,DLB800\* .....33
- C**
- CABLE 1/8 7 X 19 GALV.-BULK.....31  
 CABLE ASSY,SL/ST20 669" 7/32".....25, 27, 29  
 CABLE ASSY,SL/ST25 813" 7/32".....25, 27, 29  
 CABLE KEEP.KIT (BRACKET TYPE)\*.....31  
 CABLE KEEPER KIT (33090).....33  
 CABLE KEEPER, DLB800.....33  
 CABLE OVAL SLEEVE, 1/16.....19, 21  
 CABLE REPLACEMENT COUPLER.....25, 27, 29  
 CABLE SWAGE,ZINC-MAST TENSION.....31  
 CABLE,1/16INCH,7X7 STRANDS.....19, 21  
 CAP,INSTRUCTION TUBE (RED).....19, 21  
 CARRIAGE ASSY,ST 20/25\*\*.....25, 27  
 CARRIAGE ASSY- ST2\*\*.....25, 27  
 CARRIAGE BOLT.....31  
 CARRIAGE,MACHINED,ST SERV.....27, 29  
 CARRIAGE,SL ADVANTAGE(20,25).....25  
 CARRIER - ADJ.FORK,SLC.....35  
 CASTER,PL,SW, 4 X 2.....17  
 CASTER,POST, SW, 5X1.25,1/2\*\*\*.....17  
 CASTER,SW LOCK,WB,4 X 2.....17  
 CASTING,LEVELING JACK ST 2.....17  
 CLAMP,1.88,#30 X 1/4,RUB CUSH.....19, 21  
 COLUMN #1 SLA/ST,MACHINED\*\*.....23, 27  
 COLUMN ASSY,ST,2-5\*\*.....23, 27  
 COLUMN#1,MACHINED,ST,BLK ANODI.....29  
 COLUMN#1,MACHINED,ST,BLK,SERV.....23, 27  
 COLUMN#1,ST2,ANODIZED-SERVICE\*.....23, 27  
 COLUMN#2,MACHINED,ST,BLK,SERV.....23, 27, 29  
 COUPLER BAR ASSEMBLY,SLA&C,ST2.....23  
 COVER - REEL (80056).....33
- COVER,PULLEY, 6203.....29  
 COVER-GEAR (80056).....33
- D**
- DECAL, SYMBOL - READ THE MANUAL.....15  
 DECAL,2 SPD.WINCH SYMB.....15  
 DECAL,2 SPD.WINCH\*\*.....11, 13  
 DECAL,BUBBLE LEVEL\*\*\*.....11, 13  
 DECAL,CAUTION,CRUSHING HAZARD.....11  
 DECAL,CAUTION,MOVING PARTS.....13  
 DECAL,CAUTION,MOVING PARTS SYM.....15  
 DECAL,COSMETIC,"SUPERTOWER".....11  
 DECAL,CRUSHING HAZ/BRAKE LOCK.....11, 13  
 DECAL,CSMTC,GENIE SUPERTOWER.....13, 15  
 DECAL,DANGER,ELEC.HAZ.....13, 15  
 DECAL,LABEL,LOAD CNTR CHAR,ST.....15  
 DECAL,LABEL,OPER.MAN.STORAGE.....13  
 DECAL,LABEL,WINCH ONLY.....11, 13  
 DECAL,LABEL,WINCH ONLY SYMB.....15  
 DECAL,MODEL HEIGHT ST20.....11, 13, 15  
 DECAL,MODEL HEIGHT,ST25.....11, 13, 15  
 DECAL,OPERATING INSTRUCT,ST2.....11, 13  
 DECAL,OUTRIGGER STORAGE,ST2.....11, 13  
 DECAL,SERIAL# & MODEL# \*\*\*.....11  
 DECAL,SILENT WINCH.....11, 13  
 DECAL,WARNING ADJ FORK SETUP.....11  
 DECAL,WARNING,ADJ FORK SAFETY.....13  
 DECAL,WARNING,BRAKE LOCK SYMB.....15  
 DECAL,WARNING,NO RIDERS.....11, 13  
 DECAL,WARNING,NO RIDERS SYMB.....15  
 DETENT BALL.....33  
 DETENT BLOCK ASSY.....33  
 DETENT SPRING.....33  
 DOWN STOP.....23
- E**
- E-RING, 3/4.....33
- F**
- FOOTPAD SERVICE KIT.....17  
 FOOTPAD, AWP.....17  
 FORMING, SEQUENCING, CARR, ZN.....31  
 FRAME SPACER,K-1550 (7584).....31
- G**
- GEAR-PINION (80056).....33  
 GUARD, CABLE.....27  
 GUARD,CABLE.....27  
 GUARD,CABLE\*\*\*.....27  
 GUARD,ROLLER, SL2,.....23, 25
- H**
- HANDLE ASSY., 8-INCH, OFFSET.....33  
 HANDLE BALL KNOB.....17  
 HANDLE GRIP, RUBBER .75 X 4.5.....19, 21  
 HANDLE,LEVELING JACK,SHRT-ZINC.....17  
 HOLD DOWN HOOK,ST "GRAY".....19, 21
- I**
- INSTRUCT.TUBE W/CAPS-1.75 X 12.....19, 21
- K**
- KEEPER-CABLE (32525).....31  
 KIT, CABLE ANCHOR BRK, SLC/ST\*.....25  
 KIT,CBL GRD,W/WRD DCALS,ST.....21
- L**
- LEVEL,BUBBLE.....17  
 LEVELING JACK ASSEMBLY,ST.....17  
 LEVELING ROD.....17  
 LOADING WHEEL ASSY ST/SL.....19, 21  
 LOCK-BOLT, REEL (80056).....33
- M**
- MAST STIFF. ASSY.SLC,ST2.....21  
 MAST STIFFENER,LEFT,GRAY\*\*\*.....19, 21  
 MAST STIFFENER,RIGHT,GRAY\*\*\*.....19, 21  
 MOUNT, PLY, FIRST, 6203, GRAY.....29  
 MOUNT, PULLEY, INNER, 6203.....29
- N**
- NUT, LP NYLOCK, 3/8-16.....19, 21  
 NUT, NYLOCK, 1/2-13, GR8, ZINC.....19, 21, 23, 25, 29  
 NUT, NYLOCK,3/8-16,GR8, ZINC...19, 21, 23, 29  
 NUT,HEX,10-24.....31  
 NUT,HEX,JAM,1/2-13.....17, 31  
 NUT,HEX,M10X1.5.LP.....17  
 NUT,LP NYLOCK,1/2-13.....19, 21, 23, 27, 31  
 NUT,LP NYLOCK,1/4-20.....33  
 NUT,LP NYLOCK,5/8-11.....33  
 NUT,NYLOCK,1/2-13.....17, 23, 25  
 NUT,NYLOCK,1/4-20.....33  
 NUT,NYLOCK,3/8-16.....17, 23, 27, 31, 33  
 NUT,NYLOCK,5/16-18.....31  
 NUT,NYLOCK,M10X1.50.....17  
 NUT,NYLOCK,M6X1.00.....17
- O**
- OUTRIGGER ASSY,ST,FRONT.....17  
 OUTRIGGER ASSY,ST,REAR.....17
- P**
- PAWL-RATCHET (80056).....33  
 PIN,BALL RET.-.5 X 2.7.....19, 21  
 PIN,LOCK,LONG\*\*\*.....17, 19, 21, 35  
 PIN,LOCK,SHORT\*\*\*.....19, 21, 35  
 PIN,OUTRIGGER LOCK.....17  
 PIN,ROLL, .25 X .50.....19, 21, 27  
 PIN,TOGGLE, .50 X 8.13\*\*\*.....35  
 PINION GEAR AND DISC K-1550 (7590).....31  
 PIVOT TUBE,STABILIZER.....17  
 PLATE,FOOTPAD RETAINER.....17  
 PULLEY MOUNT , SL-2.....27  
 PULLEY MOUNT,#1 COLUMN,GRY,SLC.....27  
 PULLEY W/BEARING,ALUMINUM\*\*\*.....27  
 PULLEY, 6203.....29
- R**
- RATCHET GEAR, DLB800.....33  
 RATCHET GEAR,K-1550 1/2" I.D. (6777).....31  
 RATCHET PAWL KIT.....31

## Part Description Index (continued)

RATCHET PAWL KIT, (33090).....33  
 REEL SPACER.....33  
 RETAINING RING (6200).....31  
 RIVET,STEEL,P. .25 X .375.....19, 21

**S**

SAFETY BRAKE ASSY(SQ.NUT)SL2\*\*.....23  
 SAFETY BRAKE ASSY-SLII (OLD)\*\*.....23  
 SAFETY BRAKE RAMP,MACHINED.....23  
 SCREW, HCC, 3/8-16 X 1.50.....17, 31, 33  
 SCREW,FHS,3/8-16 X 1.75.....23  
 SCREW,HHC,1/2-13 X 1.25 GR5.....27, 29  
 SCREW,HHC,1/2-13 X 1.75.....29  
 SCREW,HHC,1/2-13 X 3.....17, 19, 21  
 SCREW,HHC,1/2-13 X 6,GRD.8.....19, 21  
 SCREW,HHC,1/2-13 X 7.5.....25  
 SCREW,HHC,1/4-20 X 1.5.....33  
 SCREW,HHC,1/4-20 X 5.25(80056).....33  
 SCREW,HHC,3/8-16 X .75.....27, 29  
 SCREW,HHC,3/8-16 X 1.....19, 21  
 SCREW,HHC,3/8-16 X 1.25 GRD 5.....17, 19,  
 21, 23, 27, 29  
 SCREW,HHC,3/8-16 X 2.5.....17  
 SCREW,HHC,3/8-16 X 5 GRD 5 ZNC.....17  
 SCREW,HHC,3/8-16 X 5.5.....33  
 SCREW,HHC,5/16-18 X 6 GRD.2.....31  
 SCREW,HHC,M6 X 40.....17  
 SCREW,HHC,M6-12MM.....17  
 SCREW,SHC,M10X1.5X55.....17  
 SCREW-THRD FORM,HH-SLT, 1/2".....33  
 SERIAL # LABEL,MAT LIFT & SS\*\*.....15  
 S E R I A L N U M B E R  
 PLAT,SUPERTOWER\*.....11, 13, 15  
 SERVICE KIT,PINION SHAFT-K1550  
 (1256081).....31  
 SHAFT ASSY, PRIMARY.....33  
 SHAFT ASSY,INTERMED. (80056).....33  
 SHAFT,PINION (32891).....31  
 SHIM,.375 X .063.....23  
 SHIM,.75 X.45 X.032.....23  
 SHIM,SAFETY BRAKE, COLUMN \*\*.....23  
 SINTERED IRON BEARING,1-1/4\*\*.....33  
 SKID PAD.....17  
 SLC, ADJ FORK ASSEMBLY.....35  
 SNAP PIN, KIT(AWP,SLA & C,ST2).....17, 19,  
 21, 35  
 SPACER.....33  
 SPACER, DRUM BOLT, K-1550.....31  
 SPACER,MAST STIFFENER.....19, 21  
 SPACER,OUTRIGGER ST II.....17  
 SPACER,PINION SHAFT (32890).....31  
 SPACER-RATCHET (80056).....33  
 SPRING,SAFETY BRAKE\*\*.....23  
 SPRING-RATCHET (80056).....33  
 STOP SLEEVE-CABLE TENSION ASSY.....31  
 STRUT,LH,ST2/PSL.....17  
 STRUT,RH,ST2/PSL.....17  
 SVC KIT, FRICTION DISC K/KX.....31

**T**

TUBE,OUTRIGGER FRONT.....17  
 TUBE,OUTRIGGER REAR GRAY.....17

**V**

VIDEO,NTSC,SLA,CABLING PROCDR.....25,  
 27, 29

**W**

WASHER, FLAT, SAE, .5, GRADE 9.....29  
 WASHER, SHIM,.765 X 1.312 X .093.....19, 21  
 WASHER,DOUBLE D.....33  
 WASHER,FLAT,RETAINING,.510.....19, 21  
 WASHER,FLAT,USS,1/2",Y.....17, 23, 25  
 WASHER,FLAT,USS,1/4"Y.....19, 21  
 WASHER,FLAT,USS,3/8",Y.....17, 27, 29  
 WASHER,FLAT,USS,5/16",Y.....29, 33  
 WASHER,LOCK SPLIT,6MM,11.8MM.....17  
 WASHER,LOCK,.25.....17  
 WASHER,LOCK,.375.....17  
 WASHER,LOCK,0.5".....17  
 WASHER,LOCK,M6.....17  
 WASHER,PUSH ON .75 SHAFT.....19, 21  
 WASHER,SHIM,.5 X .875 X .063.....23, 27  
 WASHER-FLAT, 1/2" (80056).....33  
 WASHER-STAR,INTERN,5/8"(32525).....31  
 WELDMENT,ARM ADJ. FORK,"GRAY".....35  
 W E L D M E N T , O U T R I G G E R  
 SUPPT.,GRAY.....19, 21  
 WHEEL,POLY,6X2, 3/4\*\*.....19, 21  
 WHEEL,ROLLER,NYLATRON,1.75.....19, 21,  
 23, 25  
 WINCH ASSY, ONE SPD, SYM DECAL.....31  
 WINCH ASSY, TWO SPD, SYM DECAL.....33  
 WINCH BRACKET, DRUM BOLT LOCK  
 (31946).....31  
 WINCH GEAR COVERS, K-1500.....31  
 WINCH HANDLE 8" STD.\*\*.....31  
 WINCH MOUNT PLATE, SYM DECAL.....19,  
 21  
 WINCH PINION PLATE, K-1550 (7591).....31  
 WINCH PLATE W/DECAL ST.....19, 21  
 WINCH W/DECAL,2 SPEED\*\*\*.....33  
 WINCH,W/DECAL 1SPEED SL/ST.....31

California Proposition 65



**WARNING**

Operating, servicing and maintaining this equipment can expose you to chemicals including engine exhaust, carbon monoxide, phthalates, and lead, which are known to the State of California to cause cancer and birth defects or other reproductive harm. These chemicals can be emitted from or contained in other various parts and systems, fluids and some component wear by-products. To minimize exposure, avoid breathing exhaust, do not idle the engine except as necessary, service your equipment and vehicle in a well-ventilated area and wear gloves or wash your hands frequently when servicing your equipment or vehicle and after operation. For more information go to [www.P65Warnings.ca.gov/passenger-vehicle](http://www.P65Warnings.ca.gov/passenger-vehicle).

# Parts Manual

## Super Tower

*from SN 7794-101 to 7702-1600*  
*from SN ST02-1601 to ST16-4786*  
*from SN STG-4787 to STG-7025*  
*from SN STP-7026*

Part No.  
115412

Rev C13

**Genie**  
A TEREX BRAND