



# ***Installation and Operating Instructions***

## ***Panel Cradle***

## ***S<sup>®</sup> and Z<sup>®</sup> Booms***

### ***AS / CE Models***

Part No. 82518GT  
Rev L  
February 2018

# Instructions

## Modification Approval

These instructions constitute authorization to modify a Genie Boom listed below by attaching hardware to the platform rails for the purpose of lifting solid panels, provided the criteria herein is strictly adhered to.

This option is only approved for use on models equipped with a 6 ft or 8 ft / 1,8m or 2,4m platform.

### Approved models

#### Foam-filled tires required

Model	Serial Number
S-40	
S-45	
S-60	
S-60HC	
S-60 TRAX	
S-65	
S-65 TRAX	
S-80	
S-80X	
S-80 XC (CE Models)	
S-85	
S-85 XC (CE Models)	
SX-135 XC (CE models)	
Z-45/22	from SN Z45-00001
Z-45/22	Not approved for models before SN 4593-3613
Z-45/25 RT	
Z-45 XC (CE models)	
Z-60/34	
Z-60/37DC (CE models)	
Z-60/37FE (CE models)	
Z-62/40 (CE models)	
Z-80/60 (CE models)	

### **⚠ WARNING**

Do not install a panel cradle assembly on any Genie boom product other than the designated models.

## Important

Read, understand and obey the safety rules and all instructions before using a panel cradle assembly. This manual is a part of your panel cradle assembly kit and should remain with the panel cradle assembly at all times. If you have any questions, call Genie Product Support.

### Components of Kit 94493:

Part Number	Description	Qty
1251600GT	U-bolt, 3/8 -16 x 1.5 x 2.5 x 1.25	2
1274322GT	Nut - Flange, 3/8 -16, ZAG	8
1277924GT	Nut - Flange, 1/4 -20, ZAG	1
1256855GT	Screw - HHF, 1/4 -20 x 0.625, ZAG	1
824038GT	Nut, Jam, ZAG	4
56934GT	Rubber bumper	4
56424GT	Clamp	1
88377-1400GT	Padding, 3.5 OD x 1.25 ID x 14 in	2
228848GT	Panel cradle base	2
228849GT	Hook piece	2
73463-1175GT	Tube - Aluminum, 1.25 x 0.083	2
77664GT	Strap assembly	1
82487GT	Decal - Symbol, Read the Manual	2
82518GT	Installation Instructions	1

# Instructions

## Observe and Obey:

- ☑ Do not exceed the rated platform capacity. Combined weight of cradles, panels, occupants, tools and any other equipment must not exceed rated capacity.
- ☑ The panel cradle assembly weighs 30 lbs / 13.6 kg.
- ☑ Maximum capacity of the panel cradles is 250 lbs / 113 kg.
- ☑ The weight of panel cradles and load in panelcradles may limit maximum number of occupants in platform to one person.
- ☑ Do not operate unless you are adequately instructed and are aware of all hazards associated with lifting panels.
- ☑ Do not cause a horizontal force or side load to machine by raising or lowering a fixed or overhanging load.
- ☑ Maximum vertical height of panels: 4 ft / 1.2 m.
- ☑ Maximum wind speed: 15 mph / 6.7 m/sec.
- ☑ Maximum panel area: 32 sq. ft / 3 m<sup>2</sup>.

Note: Perform this procedure on a firm, level surface with the machine in the stowed position.

## Panel Cradle Installation:

- 1 Install hook piece (Genie part number 228849GT) through the slots in the panel cradle base (Genie part number 228848GT).

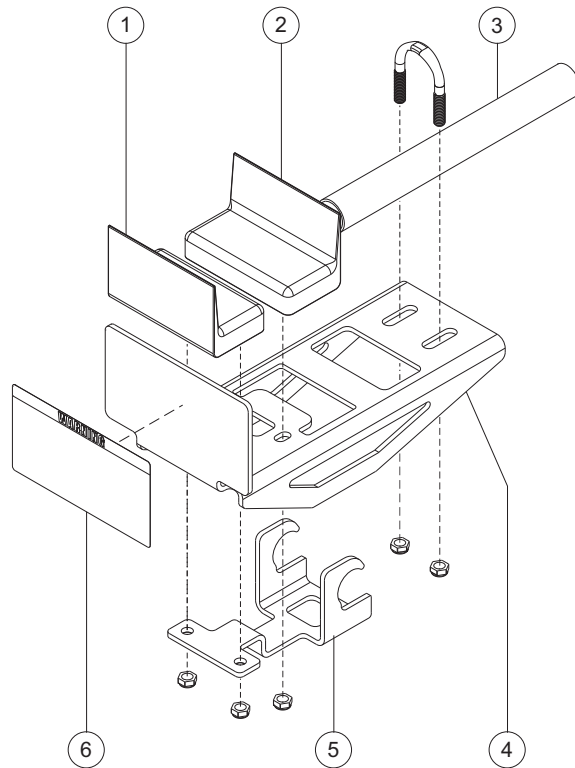


Illustration 1

- 1 rubber bumper 1
- 2 rubber bumper 2
- 3 aluminum tube
- 4 panel cradle base
- 5 hook piece
- 6 warning decal

- 2 Hook the panel cradle to the bottom platform tube in the desired location.

# Instructions

- 3 Install rubber bumper (Genie part number 56934GT) through the panel cradle base and the hook piece in the location noted as "rubber bumper 1". Refer to illustration 1.
- 4 Secure the rubber bumper with jam nut (Genie part number 824038GT). Do not overtighten.
- 5 Install rubber bumper (Genie part number 56934GT) in the panel cradle base. Install the rubber bumper in the location noted as "rubber bumper 2". Refer to illustration 1.
- 6 Secure the rubber bumper with flange nut (Genie part number 1274322GT). Do not overtighten.
- 7 Determine if the panel cradle is installed at a platform floor support tube.
  - ⊙ Result: The panel cradle is installed at a platform support tube. Proceed to step 8.
  - ⊗ Result: The panel cradle is not installed at a platform support tube. Place the aluminum tube (Genie part number 73463-1175GT) between the panel cradle and the platform floor. Proceed to step 8.
- 8 Insert U-bolt (Genie part number 1251600GT) through the floor, around the tube and into the panel cradle base.
- 9 Secure the U-bolt with flange nut (Genie part number 1274322GT).
- 10 Apply warning decal (Genie part number 82487GT) to the front of each panel cradle base. Refer to illustration 1.
- 11 Repeat steps 1 through 10 for the other panel cradle assembly.

## Install the Platform Padding:

- 12 Install the 2 pieces of padding (Genie part number 88377-1400GT) on the platform rails. Position the padding to protect the panels from contact with the platform rails.

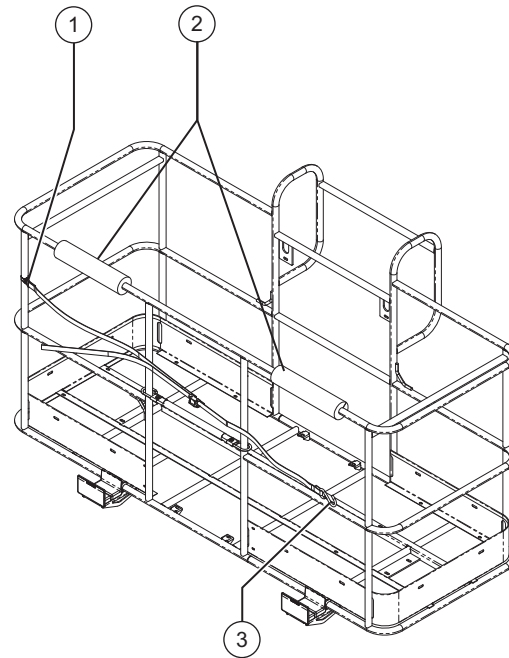


Illustration 2

- 1 clamp
- 2 padding
- 3 hook

# Instructions

## Install the Strap:

- 13 Install clamp (Genie part number 56424GT) around the vertical platform rail tube. Refer to Illustration 2.
- 14 Secure the strap assembly (Genie part number 77664GT) to the clamp with retaining fasteners (Genie part numbers 1256855GT and 1277924GT). Do not over tighten.

Note: The strap assembly should be secured between the clamp.

Note: The strap assembly should be able to slide freely up and down the platform rail.

## Operating Instructions:

- 1 Secure both panel cradles to the platform.
- 2 Place the load so that it rests in both panel cradles.
- 3 Center the load on the platform.
- 4 Secure the load to the platform using the strap.
- 5 Tighten the strap.

If you have any further questions regarding these instructions or need assistance, please contact Genie Product Support at one of the following telephone numbers:

United States:	+ 800 536 1800
Canada:	+ 425 881 1800
Europe: UK	+ 44 1476 584 333
France	+ 33 237 260 986
Germany	+ 49 4221 491 810
Iberica	+ 34 935 725 090
Italy	+ 39 075 941 8132
Scandinavia	+ 46 3157 5154
Other locations	+ 31 165 51 93 22
Middle East:	+ 97 143 391 800 or + 97 150 459 7937
Australia:	+ 61 7 3456 4444
Brazil	+ 0 800 031 0100
South America - other locations	+ 56 9 6431 2110
All other locations	+ 1 425-881 1800