



# ***Operator's Manual Supplement***

## ***Panel Cradle***

## ***S<sup>®</sup> and Z<sup>®</sup> Booms***

ANSI/CSA  
North America  
South America  
Asia

CE  
UK  
CA

Original Instructions  
Second Edition  
Third Printing  
Part No. 1299254GT

---

# Introduction

---

## Important

Read, understand and obey these safety rules and operating instructions before operating this machine. Only trained and authorized personnel shall be permitted to operate this machine. This manual should be considered a permanent part of your machine and should remain with the machine at all times. If you have any questions, contact us.

---

## Contact Us:

Internet: [www.genielift.com](http://www.genielift.com)

E-mail: [awp.techpub@terex.com](mailto:awp.techpub@terex.com)

### Manufacturer:

Terex Global GmbH  
Bleicheplatz 2  
Schaffhausen, 8200  
Switzerland

### EU Authorized representative:

Genie Industries B.V.  
Boekerman 5  
4751 XK OUD GASTEL  
The Netherlands

### UK Authorized representative:

Genie UK Limited  
The Maltings  
Wharf Road  
Grantham  
NG31 6BH  
UK

---

Copyright © 2020 by Terex Corporation


Second Edition: Third Printing, August 2021

Genie, "S" and "Z" are registered trademarks of Terex South Dakota, Inc. in the U.S.A. and many other countries.

"XC" is a trademark of Terex South Dakota, Inc.

This accessory complies with  
ANSI/SAIA A92.20  
CAN/CSA B.354.6

 Complies with EC Directive 2006/42/EC  
See EC Declaration of Conformity

 Supply of Machinery (Safety) Regulations 2008

# Introduction

## Modification Approval:

These instructions constitute authorization to modify a Genie machine listed below by attaching hardware to the platform rails for the purpose of lifting solid panels, provided the criteria herein is strictly adhered to.

### Models approved for use in ANSI/CSA market:

Z-45 XC	Z-60	Z-62
Z-80	ZX-135	Z-45 DC
Z-45 FE	S-40/45 XC	S-60 J
S-60/65 XC	S-60X	S-60/65 TRAX
S-80/85 XC	S-80X	S-80/85 HF
SX-105 XC	SX-125 XC	SX-135 XC
Z-45/25 DC/BE (to serial number Z4525F-61999)		

### Models approved for use in CE market:

Z-45 XC	Z-45 DC	Z-45 FE
Z-60	Z-62	Z-80
S-40/45 XC	S-60 J	S-60/65 XC
S-60/65 TRAX	S-80/85 XC	SX-105 XC
SX-125 XC	SX-135 XC	

#### **⚠ WARNING**

Do not install a panel cradle assembly on any Genie boom product other than the designated models for each market.

---

## Installation Instructions



### Observe and Obey:

- This procedure shall be completed by a person authorized to install the Panel Cradle.
- Immediately tag and remove from service a damaged or malfunctioning machine.
- Repair any machine damage or malfunction before operating the machine.

### Before Starting Installation:

- Read, understand and obey the safety rules and operating instructions in the appropriate operator's manual.
- Be sure that all necessary tools and parts are available and ready for use.
- Read this procedure completely and adhere to the instructions. Attempting shortcuts may produce hazardous conditions.

---

# Installation Instructions

## ▲ Panel Cradle Safety

**▲ WARNING** Bodily injury hazard. Failure to use the Genie Panel Cradle according to the instructions and safety rules listed here and in the Operator's and Responsibilities Manual could result in serious injury.

Read, understand and obey all warnings and instructions provided with the panel cradle.

Do not exceed the rated platform capacity. The combined weight of the cradle, panels, occupants, tools and any other equipment must not exceed rated capacity.

The panel cradle assembly weighs 30 lbs/13.6 kg.

The maximum capacity of the panel cradle is 250 lbs/113 kg.

The weight of the panel cradle and the load in the panel cradle may limit the maximum number of occupants in the platform to one person.

Secure the panel(s) to the platform railing using the straps provided.

Do not operate unless you are adequately instructed and are aware of all hazards associated with lifting panels.

Do not cause a horizontal force or side load to machine by raising or lowering a fixed or overhanging load.

Maximum vertical height of panels: 4 ft/1.2 m.

Maximum wind speed: 15 mph/6.7 m/sec.

Maximum panel area: 32 sq ft/3 m<sup>2</sup>.

## Tools Required

Ratchet

Ratchet extension

3/8 inch socket

1/2 inch socket

3/8 inch wrench

1/2 inch wrench

# Installation Instructions

## Contents of Kit 1299220GT

Description	Genie part number	Qty.
Clamp, 1.25 x 0.5 inches, rubber-cushion	56424GT	1
Adjustable-strap assembly	77664GT	1
Screw, HHF, 5/16-18 x 1, 8, ZAG	824086GT	2
Screw, 1/4-20 x 0.625, 8, ZAG	1256855GT	1
Nylock flange nut, 5/16-18,F,ZAG	1274167GT	2
Nylock flange nut, 1/4-20,F,ZAG	1277924GT	1
Decal, Symbol, Read the Manual	1298467GT	2
Foam pad	1298850GT	2
Tray, Panel Cradle,	1298851GT	1
Operator's Manual Supplement	1299254GT	1

## Contents of Kit 1298841GT

Description	Genie part number	Qty.
Clamp, 1.25 x 0.5 inches, rubber-cushion	56424GT	1
Adjustable-strap assembly	77664GT	1
Screw, HHF, 5/16-18 x 1, 8, ZAG	824086GT	2
Screw, 1/4-20 x 0.625, 8, ZAG	1256855GT	1
Nylock flange nut, 5/16-18,F,ZAG	1274167GT	2
Nylock flange nut, 1/4-20,F,ZAG	1277924GT	1
Decal, Panel Cradle, Word	1298849GT	2
Foam pad	1298850GT	2
Tray, Panel Cradle,	1298851GT	1
Operator's Manual Supplement	1299254GT	1

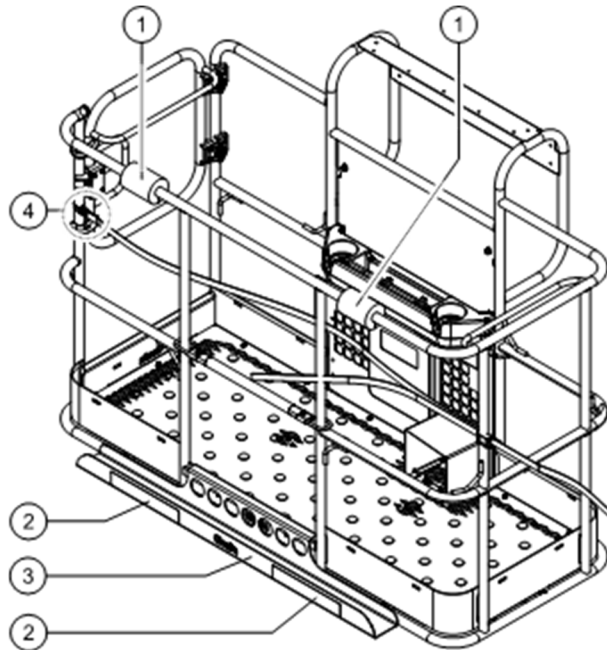
# Installation Instructions

## Panel Cradle Installation:

Note: Perform this procedure on a firm, level surface with the boom in the stowed position.

- 1 Adjust the platform so that the toe board at the front of the platform is at a comfortable working height.
- 2 Place the Panel Cradle Tray over the toe board and push it down until the tray is flush across the top of the toe board with the slots on the back of the tray aligned with corresponding slots in the toe board.

Genie part number 1298851GT



- 1 foam pad x 2
- 2 decal x 2
- 3 panel cradle tray
- 4 clamp

- 3 Use the provided fasteners to secure the tray to the platform. Tighten the fasteners.

Genie part numbers 824086GT, 1274167GT

NOTE: Kit decals should already be installed onto the tray.

- 1 Using Illustration 1 as a guide, install the foam pads onto the top rail of the platform.

Genie part number 1298850GT

- 2 Using Illustration 1 as a guide, position the clamp onto front vertical rail. Install the adjustable strap assembly onto the clamp and secure using the provided fasteners. Tighten until the clamp is snug but still able to slide freely on the vertical rail.

NOTE: The strap assembly must be secured between the clamp.

NOTE: The strap assembly should be able to slide freely up and down the platform rail.

Genie part numbers 56424GT, 77664GT, 1256855GT, 1277924GT

- 3 Connect the hook of the adjustable strap assembly to the front vertical rail at the opposite end of the platform.

---

# Installation Instructions

## Operating Instructions:

- 1 Secure the panel cradle and strap assembly to the platform.
- 2 Center the load on the platform.
- 3 Secure the load to the platform using the strap.
- 4 Tighten the strap.



California Proposition 65



Operating, servicing and maintaining this equipment can expose you to chemicals including engine exhaust, carbon monoxide, phthalates, and lead, which are known to the State of California to cause cancer and birth defects or other reproductive harm. These chemicals can be emitted from or contained in other various parts and systems, fluids and some component wear by-products. To minimize exposure, avoid breathing exhaust, do not idle the engine except as necessary, service your equipment and vehicle in a well-ventilated area and wear gloves or wash your hands frequently when servicing your equipment or vehicle and after operation. For more information go to [www.P65Warnings.ca.gov/passenger-vehicle](http://www.P65Warnings.ca.gov/passenger-vehicle).

Breathing diesel engine exhaust exposes you to chemicals known to the State of California to cause cancer and birth defects or other reproductive harm.

- Always start and operate the engine in a well-ventilated area.
- If in an enclosed area, vent the exhaust to the outside.
- Do not modify or tamper with the exhaust system.
- Do not idle the engine except as necessary.

For more information go to [www.P65warnings.ca.gov/diesel](http://www.P65warnings.ca.gov/diesel).