



Operator's Manual Supplement

Access Control Module

First Edition
First Printing
Part No.1277289

Introduction



Danger

Failure to obey the instructions and safety rules in this manual and in the operator's manual for this machine will result in death or serious injury.

Note: These installation instructions apply to the Genie models listed below:

All MEWP models

▲ ACM Safety

Read, understand and obey all warnings and instructions provided with the ACM.

When the ACM is installed, this manual should be considered a permanent part of the machine and should remain with the machine at all times.

Symbol and Hazard Pictorials Definitions



Read the supplement,
part number 1277289

Background

Access control modules are designed to restrict access and functionality to unauthorized operators. This is controlled by a keypad and/or RFID-card reader. The restriction defers depending of the type/model of the MEWP. When authorized, the module will allow the operator to use all functionality of the machine until it is deactivated from the key switch or E-stop on the lower controls.

Location

The ACM will be mounted, where possible, near the lower control panel with immediate visibility and easy to reach. No plates or covers should be removed to access the ACM.

Mounting Locations on various models:

Telescopic and Articulating booms

The ACM is located at the main polyester swing chassis cover on the ground control box side:



Introduction

Scissors Lifts

The ACM is located on chassis near the ground controls:

GS RT models



GTH

The ACM is located on the front dashboard, (Compact models) or on the right rear dashboard (High Reach and Rotating models):

Compact models



GS Slab Scissors models



High Reach and Rotating models



Introduction

Functionality

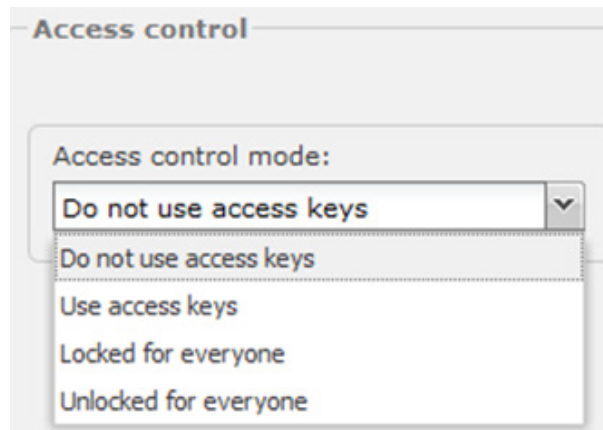
The ACM will disable some functionality of the machine when access is restricted. Depending on the type/model of the MEWP and the access mode of the module these will be different.

Auxiliary power will always be available

Access control mode

The owner of the machine/ACM can set the 4 access control modes through a designated website.

Access to this website is solely restricted to the owner, which grants full responsibility to control and change this mode.



Do not use access keys

The module will behave as if there are no keys assigned to it, even when there are keys assigned for that module. The machine is always enabled.

Use access keys

The machine will be enabled after a valid code or RFID card.

Locked for everyone

The machine is always disabled.

Unlocked for everyone

The machine is always enabled.

IC machines

The ACM can disable the engine start. When access denied, engine start will not function.

Do not use access keys: Engine start is always enabled.

Use Access Keys: Engine start enabled after valid Code or RFID card.

Locked For everyone: Engine start is always disabled.

Unlocked for everyone: Engine start is always enabled.

DC: Z30, Z34, Z45

The ACM can disable drive forward and reverse.

Do not use access keys: Drive function is always enabled.

Use Access Keys: Drive functions enabled after valid Code or RFID card.

Locked For everyone: Drive function is always disabled.

Unlocked for everyone: Drive function is always enabled.

DC: Z33, Z60DC/FE

Depending on the preset machine option setting, the ACM can disable the following functionality:

- Disable Lift functions
- Disable lift and drive functions

Do not use access keys: Lift and/or drive functions are always enabled.

Use Access Keys: Lift and/or drive functions enabled after valid Code or RFID card.

Locked For everyone: Lift and/or drive functions are always disabled.

Unlocked for everyone: Lift and/or drive functions are always enabled.

All GS models DC operated

The ACM can disable Drive and lift functions.

Do not use access keys: Lift and drive functions are always enabled.

Use Access Keys: Lift and drive functions enabled after valid Code or RFID card.

Locked For everyone: Lift and drive functions are always disabled.

Unlocked for everyone: Lift and drive functions are always enabled.

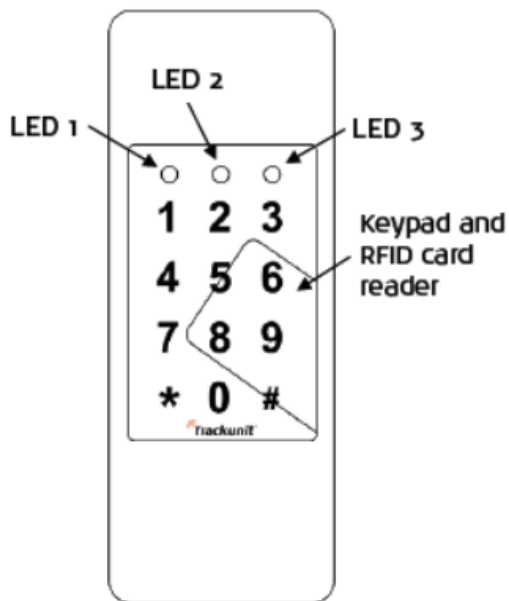
Operating Instructions

Decal Inspection

Inspect to verify that all decals are legible and in place.

Part No.	Decal Description	Qty
1277288	Label ACM	1

Operating Instructions



Picture as reference only, form and size may differ

	LED1	LED2	LED3
Yellow	Power	-	-
Green	-	-	ID ok
Red			ID cancel

Using key pad

1. Center pin code
2. Confirm with #
3. Green light in LED3 indicates authorized ID
4. Begin operation

Using RFID card

1. Present card in front of reader
2. A beep will sound to acknowledge the card.
3. Green light in LED3 indicates authorized ID
4. Begin operation

Info

- Yellow light in LED1 indicates the unit has power
- Cancel key input with * (start again)
- Red light in LED3 when input is cancelled
- There is a 10 sec. time out for pin input
- Don't use RFID card and pin simultaneously
- LED2 is not in use
- Turn the machine off at the ground controls by pushing the E-stop and turning the keyswitch to off, to restrict unauthorized use of the MEWP

www.genielift.com

Distributed By: