



Operator's Manual Supplement

Operator Protective Alarm

First Edition
Second Printing
Part No. 1270177

Introduction



Danger

Failure to obey the instructions and safety rules in this manual and in the operator's manual for this machine will result in death or serious injury.

Note: These installation instructions apply to the Genie models listed below:

S-Booms: S-40, S-45, S-60, S-65, S-80, S-85, S-100, S-105, S-120, S-125, SX-150, SX-180

Z-Booms: Z30/20N, Z-34/22N (DC), Z-34/22 BE, Z-34/22 IC, Z-45/25 DC, Z-45/25 IC, Z-45/25 DC, Z-51, Z-60/34, Z-62/40, Z-80/60, Z-135/70, ZX-135/70

▲ OPA Safety

Read, understand and obey all warnings and instructions provided with the OPA.

Do not exceed the rated platform capacity. The weight of the OPA assembly will reduce the rated platform capacity and must be subtracted from the total platform load.

The OPA assembly weighs 18 lbs / 8 kg.

Be sure the OPA is securely installed.

Symbol and Hazard Pictorials Definitions



OPA weighs
18 lbs / 8 kg.



Read the supplement,
part number 1270177.

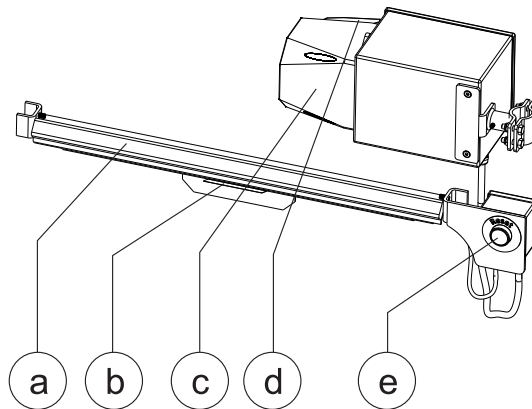
Introduction

Pre-operation Inspection

- Be sure that the operator's, safety manual, responsibilities manual and any necessary supplements are complete, legible and in the storage container located in the platform.
 - Be sure that all decals are legible and in place.
- Check the OPA for damage, improperly installed or missing parts and unauthorized modifications.
- Nuts, bolts and other fasteners
 - Wiring, cables and OPA components
 - Cracks in welds or structural components
 - Dents or damage to OPA

Function Test

- 1 Press and then release the OPA activation bar.
 - ⊙ The OPA alarm will sound.
- 2 Operate the machine functions.
 - ⊙ No machine functions should operate.
- 3 Press the reset button.
 - ⊙ The alarm will turn off.
- 4 Operate the machine functions.
 - ⊙ Machine functions should operate.
- 5 Press and hold the OPA activation bar for more than 10 seconds.
 - ⊙ The OPA alarm will sound continuously. The light on the OPA alarm will flash.
- 6 Operate the machine functions.
 - ⊙ No machine functions should operate.
- 7 Press the reset button.
 - ⊙ The alarm will turn off and the light will stop flashing.
- 8 Operate the machine functions.
 - ⊙ Machine functions should operate.



- a OPA activation bar
- b decal
- c alarm
- d flashing light
- e reset button

Operating Instructions

Decal Inspection

Use the inspection to verify that all decals are legible and in place.

Part No.	Decal Description	Qty
1270178	Label – OPA	1

Operating Instructions

OPA alarm sounding: Machine functions will not operate. Press the reset button to turn the alarm off and restore machine functions.

OPA alarm sounding continuously and light flashing: Machine functions will not operate. Use ground controls to lower the platform.